

Advanced Notebook I/O Controller with On-Board FLASH

FEATURES

- 3.3V Operation with 5V Tolerant Buffers
- ACPI 1.0b , PC99/PC2001 Compliant
- LPC Interface with Clock Run Support
 - Serial IRQ Interface Compatible with Serialized IRQ Support for PCI Systems
 - 15 Direct IRQs
 - Four 8-Bit DMA Channels
 - ACPI SCI Interface
 - nSMI
 - Shadowed write only registers
- Internal 64K Flash ROM
 - Programmed From Direct Parallel Interface, 8051, or LPC Host
 - 2k-Byte Lockable Boot Block
 - Can be Programmed Without 8051 Intervention
- Three Power Planes
 - Low Standby Current in Sleep Mode
 - Intelligent Auto Power Management for Super I/O
- ACPI Embedded Controller Interface
- Configuration Register Set Compatible with ISA Plug-and-Play Standard (Version 1.0a)
- High-Performance Embedded 8051 Keyboard and System Controller
 - Provides System Power Management
 - System Watch Dog Timer (WDT)
 - 8042 Style Host Interface
 - Supports Interrupt and Polling Access
 - 256 Bytes Data RAM
 - On-Chip Memory-Mapped Control Registers
 - Access to RTC and CMOS Registers
 - Up to 16x8 Keyboard Scan Matrix
 - Two 16 Bit Timer/Counters
 - Integrated Full-Duplex Serial Port Interface
 - Eleven 8051 Interrupt Sources
 - Thirty-Two 8-Bit, Host/8051 Mailbox Registers
 - Thirty-six Maskable Hardware Wake-Up Events
- Fast GATEA20
- Fast CPU_RESET
- Multiple Clock Sources and Operating Frequencies
- IDLE and SLEEP Modes
- Fail-Safe Ring Oscillator
- Advanced Infrared Communications Controller (IrCC 2.0)
 - IrDA V1.2 (4Mbps), HPSIR, ASKIR, Consumer IR Support
 - Two IR Ports
 - Relocatable Base I/O Address
- Real-Time Clock
 - MC146818 and DS1287 Compatible
 - 256 Bytes of Battery Backed CMOS in Two 128-Byte Banks
 - 128 Bytes of CMOS RAM Lockable in 4x32 Byte Blocks
 - 12 and 24 Hour Time Format
 - Binary and BCD Format
 - <2 μ A Standby Current (typ)
- Two 8584-Style ACCESS.Bus Controllers
 - 8051 Controlled Logic Allows ACCESS.Bus Master or Slave Operation
 - ACCESS.Bus Controllers are Fully Operational on Standby Power
 - 2 Sets of Dedicated Pins per ACCESS.BusController
- Four independent Hardware Driven PS/2 Ports
- 83 General Purpose I/O Pins
 - 36 Maskable Hardware Wake-Event Capable
 - 18 Programmable Open-Drain/Push-Pull Outputs
 - 16 Mapped into 8051 SFR Space
 - 24 LPC/8051-Addressable
- Three Programmable Pulse-Width Modulator Outputs
 - Independent Clock Rates
 - 6 Bit Duty Cycle Granularity

Note: Please see Addendum to LPC47N252 Data Sheet at <http://www.smsc.com/main/datasheets/47n252add.pdf>

- VCC1 and VCC2 operation mode
- Dual Fan Tachometer Inputs
- 2.88MB Super I/O Floppy Disk Controller
 - Relocatable to 480 Different Base I/O Addresses
 - 15 IRQ Options
 - 4 DMA Options
 - Open-Drain/Push-Pull Configurable Output Drivers
 - Licensed CMOS 765B Floppy Disk Controller
 - Advanced Digital Data Separator
 - Software and Register Compatible with SMSC's Proprietary 82077AA Compatible Core
 - Low Power CMOS Design with Sophisticated Power Control Circuitry (PCC) Including Multiple Powerdown Modes for Reduced Power Consumption
 - Supports Two Floppy Drives on the FDD Interface and Two Floppy Drives on the Parallel Port Interface
 - 12 mA FDD Interface Cable Drivers with Schmitt Trigger Inputs
- Licensed CMOS 765B Floppy Disk Controller Core
 - Supports Vertical Recording Format
 - 16-Byte Data FIFO
 - 100% IBM Compatibility
 - Detects All Overrun and Underrun Conditions
 - 12 mA Drivers and Schmitt Trigger Inputs
 - DMA Enable Logic
 - Data Rate and Drive Control Registers
- Enhanced Digital Data Separator
 - Low Cost Implementation
 - No Filter Components Required
 - 2 Mbps, 1 Mbps, 500 Kbps, 300 Kbps, 250 Kbps Data Rates
 - Programmable Precompensation Modes
- Multi-Mode Parallel Port with ChiProtect
 - Standard Mode IBM PC/XT, PC/AT, and PS/2 Compatible Bi-directional Parallel Port
 - Enhanced Parallel Port EPP 1.7 and EPP 1.9 Compatible (IEEE 1284 Compliant)
 - IEEE 1284 Compliant Enhanced Capabilities Port (ECP)
 - ChiProtect Circuitry to Prevent Printer Power-On Damage
 - Relocatable to 480 Different Base I/O Addresses
 - 15 IRQ Options
 - 4 DMA Options
 - Microsoft and HP compatible High Speed Mode
 - Floppy Disk Interface on Parallel Port
 - 8051-Controlled Parallel Port Mode
- Serial Port
 - High-Speed NS16550A-Compatible UART with 16-Byte Send/Receive FIFOs
 - Programmable Baud Rate Generator
 - Modem Control Circuitry Including 230k and 460k Baud
 - Relocatable to 480 Different Base I/O Addresses
 - 15 IRQ Options

ORDERING INFORMATION

Order Numbers:

LPC47N252-SG for 208 Pin FBGA Package

LPC47N252-SD for 208 Pin TQFP Package

GENERAL DESCRIPTION

The LPC47N252 is a 208-pin 3.3V LPC-based ACPI 1.0 and PC99/PC2001 compliant Notebook I/O Controller with Fast Infrared for mobile applications. See FIGURE 2 – LPC47N252 BLOCK DIAGRAM.

The LPC47N252 incorporates a high-performance 8051-based keyboard controller; a 64k byte internal Flash ROM, four PS/2 ports; a real-time clock; SMSC's true CMOS 765B floppy disk controller with advanced digital data separator and 16-byte data FIFO; an NS16C550A-compatible UART, SMSC's advanced Infrared Communications Controller (IrCC 2.0) with a UART and a Synchronous Communications Engine to provide IrDA v1.1 (Fast IR) capabilities; one Multi-Mode parallel port with ChiProtect circuitry plus EPP and ECP support; two 8584-style Access Bus controllers with two Sets of Dedicated Pins per ACCESS.Bus Controller; a Serial IRQ peripheral agent interface; an ACPI Embedded Controller Interface; General Purpose I/O pins including eight pass through ports; three independently programmable pulse width modulators; two-floppy direct drive support; and maskable hardware wake-up events.

The true CMOS 765B core provides 100% compatibility with IBM PC/XT and PC/AT architectures in addition to providing data overflow and underflow protection. The SMSC advanced digital data separator incorporates SMSC's patented data separator technology, allowing for ease of testing and use. The parallel port is compatible with IBM PC/AT architecture, as well as EPP and ECP. The 8051 controller can also take control of the parallel port interface to provide remote diagnostics or "Flashing" of the Flash memory.

The LPC47N252 has three separate power planes to provide "instant on" and system power management functions. Additionally, the LPC47N252 incorporates sophisticated power control circuitry (PCC). The PCC supports multiple low power down modes. Wake-up events and ACPI-related functions are supported through the SCI Interface.

The LPC47N252's configuration register set is compatible with the ISA Plug-and-Play Standard (Version 1.0a) and provides the functionality to support Windows '95. The legacy host Super I/O Configuration and Alternate Super I/O Configuration decode ranges comply with the Low Pin Count Interface Specification, Revision 1.0.

Through internal configuration registers, each of the LPC47N252's logical device's I/O address, DMA channel and IRQ channel may be programmed. There are 480 I/O address location options, 15 IRQ options, and four DMA channel options for each logical device.

The LPC47N252 does not require any external filter components and is, therefore, easy to use and offers lower system cost and reduced board area. The LPC47N252 is software and register compatible with SMSC's proprietary 82077AA core.



80 Arkay Drive
Hauppauge, NY 11788
(631) 435-6000
FAX (631) 273-3123

Copyright © SMSC 2004. All rights reserved.

Circuit diagrams and other information relating to SMSC products are included as a means of illustrating typical applications. Consequently, complete information sufficient for construction purposes is not necessarily given. Although the information has been checked and is believed to be accurate, no responsibility is assumed for inaccuracies. SMSC reserves the right to make changes to specifications and product descriptions at any time without notice. Contact your local SMSC sales office to obtain the latest specifications before placing your product order. The provision of this information does not convey to the purchaser of the described semiconductor devices any licenses under any patent rights or other intellectual property rights of SMSC or others. All sales are expressly conditional on your agreement to the terms and conditions of the most recently dated version of SMSC's standard Terms of Sale Agreement dated before the date of your order (the "Terms of Sale Agreement"). The product may contain design defects or errors known as anomalies which may cause the product's functions to deviate from published specifications. Anomaly sheets are available upon request. SMSC products are not designed, intended, authorized or warranted for use in any life support or other application where product failure could cause or contribute to personal injury or severe property damage. Any and all such uses without prior written approval of an Officer of SMSC and further testing and/or modification will be fully at the risk of the customer. Copies of this document or other SMSC literature, as well as the Terms of Sale Agreement, may be obtained by visiting SMSC's website at <http://www.smisc.com>. SMSC is a registered trademark of Standard Microsystems Corporation ("SMSC"). Product names and company names are the trademarks of their respective holders.

SMSC DISCLAIMS AND EXCLUDES ANY AND ALL WARRANTIES, INCLUDING WITHOUT LIMITATION ANY AND ALL IMPLIED WARRANTIES OF MERCHANTABILITY, FITNESS FOR A PARTICULAR PURPOSE, TITLE, AND AGAINST INFRINGEMENT AND THE LIKE, AND ANY AND ALL WARRANTIES ARISING FROM ANY COURSE OF DEALING OR USAGE OF TRADE.

IN NO EVENT SHALL SMSC BE LIABLE FOR ANY DIRECT, INCIDENTAL, INDIRECT, SPECIAL, PUNITIVE, OR CONSEQUENTIAL DAMAGES; OR FOR LOST DATA, PROFITS, SAVINGS OR REVENUES OF ANY KIND; REGARDLESS OF THE FORM OF ACTION, WHETHER BASED ON CONTRACT; TORT; NEGLIGENCE OF SMSC OR OTHERS; STRICT LIABILITY; BREACH OF WARRANTY; OR OTHERWISE; WHETHER OR NOT ANY REMEDY OF BUYER IS HELD TO HAVE FAILED OF ITS ESSENTIAL PURPOSE, AND WHETHER OR NOT SMSC HAS BEEN ADVISED OF THE POSSIBILITY OF SUCH DAMAGES.

TABLE OF CONTENTS

FEATURES	1
GENERAL DESCRIPTION.....	3
1.1 REFERENCE DOCUMENTS.....	12
1.1.1 <i>Intel Low Pin Count Specification</i>	12
1.1.2 <i>PCI Local Bus Specification</i>	12
1.1.3 <i>Advanced Configuration and Power Interface Specification</i>	12
1.1.4 <i>LPC47N252 Notebook I/O Controller with Enhanced Keyboard Control and System Management</i>	12
1.1.5 <i>IEEE 1284 Extended Capabilities Port Protocol and ISA Interface Standard</i>	12
2 TQFP PIN CONFIGURATION.....	13
3 PIN FUNCTIONS.....	15
3.1 DESCRIPTION OF PIN FUNCTIONS	16
3.1.1 <i>Alternate Function Pins</i>	22
3.2 POWER CONFIGURATION.....	23
4 FUNCTIONAL DESCRIPTION.....	25
4.1 HOST PROCESSOR INTERFACE (LPC)	26
4.1.1 <i>LPC Bus Cycles Description</i>	26
4.1.2 <i>LPC Bus Cycles Summary</i>	27
4.1.3 <i>Standard LFRAME# Usage</i>	27
4.1.4 <i>Abort Mechanism</i>	28
4.1.5 <i>I/O Read And Write Cycles</i>	28
4.1.6 <i>Dma Read And Write Cycles</i>	28
4.1.7 <i>DMA Request</i>	28
4.1.8 <i>SYNC Protocol</i>	30
4.1.9 <i>I/O And DMA Start Fields</i>	31
4.1.10 <i>Reset Policy</i>	31
4.1.11 <i>Electrical Specifications</i>	31
4.1.12 <i>Wait State Requirements</i>	31
4.1.13 <i>LPC Transfer Sequence Examples</i>	31
4.1.14 <i>LPC Power Management</i>	36
5 FLOPPY DISK CONTROLLER.....	38
FDC INTERNAL REGISTERS.....	38
<i>Status Register A (SRA)</i>	38
<i>Status Register B (SRB)</i>	39
<i>Digital Output Register (DOR)</i>	41
<i>Tape Drive Register (TDR)</i>	42
<i>Data Rate Select Register (DSR)</i>	43
<i>Main Status Register</i>	45
<i>Data Register (FIFO)</i>	46
<i>Digital Input Register (DIR)</i>	46
<i>Configuration Control Register (CCR)</i>	48
STATUS REGISTER ENCODING.....	48
5.1 FDC RESET	50
5.2 FDC MODES OF OPERATION	51
5.2.1 <i>PC/AT mode</i>	51
5.2.2 <i>PS/2 mode</i>	51
5.2.3 <i>Model 30 mode</i>	51
5.3 DMA TRANSFERS.....	51
5.4 CONTROLLER PHASES.....	51
5.4.1 <i>Command Phase</i>	51
5.4.2 <i>Execution Phase</i>	51
5.4.3 <i>Result Phase</i>	52
5.5 COMMAND SET/DESCRIPTIONS.....	53
5.6 FDC INSTRUCTION SET.....	55
5.7 FDC DATA TRANSFER COMMANDS	61

5.7.1	Read Data.....	61
5.7.2	Read Deleted Data.....	62
5.7.3	Read A Track.....	63
5.7.4	Write Data.....	64
5.7.5	Write Deleted Data.....	64
5.7.6	Verify.....	64
5.7.7	Format A Track.....	65
5.8	FDC CONTROL COMMANDS.....	67
5.8.1	Read ID.....	67
5.8.2	Recalibrate.....	67
5.8.3	Seek.....	67
5.8.4	Sense Interrupt Status.....	68
5.8.5	Sense Drive Status.....	68
5.8.6	Specify.....	68
5.8.7	Configure.....	69
5.8.8	Version.....	69
5.8.9	Relative Seek.....	70
5.8.10	Perpendicular Mode.....	70
5.8.11	Lock.....	71
5.8.12	Enhanced DUMPREG.....	72
5.9	COMPATIBILITY.....	72
5.9.1	Parallel Port FDC.....	72
5.9.2	Hot Swappable FDD Capability.....	72
5.10	FDC FORCE WRITE PROTECT.....	73
6	ACPI EMBEDDED CONTROLLER.....	75
6.1	ECI CONFIGURATION REGISTERS.....	75
6.2	ECI RUNTIME REGISTERS.....	76
6.3	EC_STATUS REGISTER.....	76
6.4	EC_COMMAND REGISTER.....	77
6.5	EC_DATA REGISTER.....	78
7	SERIAL PORT (UART).....	79
7.1	REGISTER DESCRIPTION.....	79
7.1.1	Receive Buffer Register (RB).....	79
7.1.2	Transmit Buffer Register (TB).....	79
7.1.3	Interrupt Enable Register (IER).....	79
7.1.4	Fifo Control Register (FCR).....	80
7.1.5	Interrupt Identification Register (IIR).....	81
7.1.6	Line Control Register (LCR).....	82
7.1.7	Modem Control Register (MCR).....	83
7.1.8	Line Status Register (LSR).....	84
7.1.9	Modem Status Register (MSR).....	85
7.1.10	Scratchpad Register (SCR).....	86
7.1.11	Programmable Baud Rate Generator (And Divisor Latches DLH, DLL).....	86
7.2	FIFO INTERRUPT MODE OPERATION.....	87
7.3	FIFO POLLED MODE OPERATION.....	88
7.3.1	Effect Of The Reset on Register File.....	89
7.3.2	NOTES ON SERIAL PORT FIFO MODE OPERATION.....	90
7.3.3	TX AND RX FIFO OPERATION.....	90
8	INFRARED COMMUNICATIONS CONTROLLER (IRCC 2.0).....	92
8.1	IRRX/IRTX PIN ENABLE.....	93
8.2	IR REGISTERS - LOGICAL DEVICE 5.....	93
8.3	IR DMA CHANNELS.....	93
8.4	IR IRQS.....	94
8.4.1	Software Select Registers A and B.....	94
8.5	IR HALF DUPLEX TIMEOUT.....	94
8.6	IRTX OUTPUT PINS DEFAULT.....	94
9	PARALLEL PORT.....	95
9.1	IBM XT/AT COMPATIBLE, BI-DIRECTIONAL AND EPP MODES.....	96
9.1.1	Register Definition.....	96
9.2	EXTENDED CAPABILITIES PARALLEL PORT.....	102

9.2.1	Vocabulary.....	102
9.2.2	ECP Implementation Standard.....	103
9.2.3	Description.....	103
9.2.4	Register Definitions.....	104
9.2.5	Operation.....	108
9.3	THE PARALLEL PORT PHYSICAL INTERFACE (PPPI).....	111
9.3.1	PPPI 8051 Mode.....	112
9.3.2	PPPI Host (Legacy) Mode.....	112
9.3.3	PPPI FDC Mode.....	112
9.3.4	FDC_nPP Pin Induced PPPI Modes Transitions.....	114
10	AUTO POWER MANAGEMENT.....	116
10.1	SYSTEM POWER MANAGEMENT.....	116
10.2	DSR FROM POWERDOWN.....	116
10.3	WAKE UP FROM AUTO POWERDOWN.....	116
10.4	REGISTER BEHAVIOR.....	116
10.5	PIN BEHAVIOR.....	117
10.6	SYSTEM INTERFACE PINS.....	117
10.7	FDD INTERFACE PINS.....	117
10.7.1	FDD Power Down Pin (FPD) Behavior.....	118
10.8	UART POWER MANAGEMENT.....	119
10.9	EXIT AUTO POWERDOWN.....	119
10.10	PARALLEL PORT POWER MANAGEMENT.....	119
10.11	EXIT AUTO POWERDOWN.....	119
11	8051 EMBEDDED CONTROLLER.....	120
11.1	8051 FUNCTIONAL OVERVIEW.....	120
11.1.1	FEATURES.....	120
11.2	HIGH-PERFORMANCE 8051 IMPLEMENTED FEATURES.....	120
11.2.1	FUNCTIONAL BLOCKS.....	121
11.2.2	HIGH-PERFORMANCE 8051 CYCLE TIMING AND INSTRUCTION SET.....	121
11.3	POWERING UP OR RESETTING THE 8051.....	121
11.3.1	Default Reset Conditions.....	121
11.4	CPU RESET SEQUENCE.....	123
11.5	8051 CLOCK CONTROLS.....	123
11.5.1	Frequency Controls.....	123
11.6	8051 RING OSCILLATOR FAIL-SAFE CONTROLS.....	125
11.7	8051 MEMORY MAP.....	126
11.8	8051 CONTROL REGISTERS.....	126
11.8.1	Special Function Registers (SFRs).....	126
11.8.2	Memory Mapped Control Register (MMCR).....	127
11.8.3	8051 Configuration/Control Memory Mapped Registers.....	132
11.8.4	LED Controls.....	135
11.9	8051 INTERRUPTS.....	136
11.9.1	8051 Internal Parallel Interrupts.....	136
11.9.2	8051 INT0 Source Register.....	138
11.9.3	8051 INT0 Mask Register.....	139
11.9.4	8051 INT1 Source Register.....	139
11.9.5	8051 INT1 Mask Register.....	139
11.9.6	8051 Wakeup Source Registers.....	140
11.9.7	8051 Wakeup Mask Registers.....	143
11.9.8	8051 Hibernation Timer Register.....	145
11.9.9	8051 Edge Select Registers.....	145
11.9.10	Power Fail IRQ.....	147
11.9.11	8051 External Serial IRQ Generation.....	148
11.10	8051 CODE DEBUGGING FEATURES.....	149
11.10.1	External Flash Interface.....	149
11.10.2	8051-controlled Parallel Port Interface.....	149
11.10.3	8051 Serial Port.....	149
11.10.4	8051 Single-Step Operation.....	149
11.10.5	SFR GPIO Pins.....	150
12	64K EMBEDDED FLASH ROM.....	151
12.1	OVERVIEW.....	151

12.2	FLASH MEMORY ARRAY	152
12.3	COMMAND SEQUENCE INTERFACE (CSI)	153
12.3.1	Overview.....	153
12.3.2	Address Mapping.....	153
12.3.3	Reset	154
12.3.4	Command Register.....	154
12.3.5	CSI Command Types	155
12.3.6	Status Register	156
12.3.7	CSI State Sequencing	158
12.4	FLASH WRITE PROTECT	164
12.5	8051 FLASH BOOT BLOCK PROTECT CONTROLS.....	164
12.5.1	Overview.....	164
12.5.2	8051 Flash Boot Block Protect Register	164
12.6	FLASH CSI PROGRAMMING EXAMPLES.....	165
12.6.1	Overview.....	165
12.6.2	Byte Programming Example.....	167
12.6.3	Mass Erase Example.....	168
13	FLASH PROGRAMMING INTERFACE	169
13.1	OVERVIEW	169
13.2	FLASH PROGRAM INTERFACE DECODER	170
13.3	8051 CODE FETCH ACCESS.....	171
13.4	8051 FLASH PROGRAM ACCESS.....	171
13.5	LPC BUS FLASH PROGRAM ACCESS.....	172
13.6	ATE FLASH PROGRAM ACCESS.....	172
13.6.1	Overview.....	172
13.6.2	ATE FLASH PROGRAM TIMING.....	174
13.6.3	PGM Pin	175
13.7	EXTERNAL FLASH INTERFACE	175
13.8	KEYBOARD CONTROLLER BUS MONITOR INTERFACE	177
13.9	DEADMAN SWITCH.....	179
13.9.1	Overview.....	179
13.9.2	DMS Operation.....	179
13.9.3	nDMS_LED Pin.....	180
13.9.4	DMS Register	181
13.10	FLASH PROGRAM REGISTER.....	182
13.10.1	RESET FLASH – D7.....	182
13.10.2	FWP – D4.....	182
13.10.3	EXT FLASH – D3.....	183
13.10.4	ATE PGM – D2.....	183
13.10.5	LPC PGM – D1.....	183
13.10.6	8051 PGM – D0.....	183
13.11	8051/LPC FLASH PROGRAM ACCESS REGISTERS	183
13.11.1	Flash High Address Register	183
13.11.2	Flash Low Address Register.....	184
13.11.3	Flash Data Register.....	184
13.12	INTERNAL SCRATCH ROM.....	185
14	WATCH DOG TIMER	186
14.1	WDT OPERATION	186
14.2	WDT ACTION	186
14.3	WDT ACTIVATION	186
14.4	WDT RESET MECHANISM	186
14.5	WDT MEMORY MAPPED REGISTERS	187
15	8051 SYSTEM POWER MANAGEMENT	188
15.1	IDLE MODE	188
15.1.1	Exiting Idle Mode	189
15.2	SLEEP MODE	189
15.3	WAKE-UP EVENTS	191
16	KEYBOARD CONTROLLER	195
16.1	8042 STYLE HOST INTERFACE	195
16.2	KEYBOARD CONTROLLER REGISTER DESCRIPTION.....	195

16.2.1	Keyboard Data Write	195
16.2.2	Keyboard Data Read	195
16.2.3	Keyboard Command Write	195
16.2.4	Keyboard Status Read.....	195
16.3	8051-TO-HOST KEYBOARD COMMUNICATION.....	195
16.4	HOST-TO 8051 KEYBOARD COMMUNICATION.....	197
16.4.1	PCOBF Description	197
16.4.2	AUXOBF1 Description.....	197
16.5	GATEA20 HARDWARE SPEED-UP	198
16.5.1	8051 GATEA20 Control Registers.....	199
16.5.2	CPU_RESET Hardware Speed-Up	200
16.5.3	Port 92	201
16.5.4	GATEA20.....	202
16.6	DIRECT KEYBOARD SCAN.....	203
16.7	EXTERNAL KEYBOARD AND MOUSE INTERFACE.....	203
17	PS/2 DEVICE INTERFACE	204
17.1	SMSC PS/2 LOGIC OVERVIEW	204
17.2	PS/2 DATA FRAME	205
17.3	SMSC PS/2 MEMORY MAPPED CONTROL REGISTERS	205
17.3.1	SMSC PS/2 Transmit Registers	206
17.3.2	SMSC PS/2 Receive Registers	206
17.3.3	SMSC PS/2 Control Registers.....	206
17.3.4	SMSC PS/2 Status Registers.....	208
17.3.5	SMSC PS/2 Status_2 Registers	210
17.4	DEVIL LOGIC OVERVIEW.....	210
17.5	THE DEVIL PS/2 LOGIC COMMANDS.....	210
17.5.1	The Devil PS/2 logic Transmit Command.....	210
17.5.2	The Devil PS/2 logic Receive Command.....	211
17.5.3	The Devil PS/2 logic Inhibit Command.....	211
17.6	DEVIL PS/2 MEMORY MAPPED CONTROL REGISTERS	212
17.6.1	Devil PS/2 Control Registers	212
17.6.2	Devil PS/2 Status Registers.....	213
17.6.3	Devil PS/2 Error Status.....	214
17.6.4	Devil PS/2 Transmit Registers.....	214
17.6.5	Devil PS/2 Receive Registers.....	215
18	ACCESS.BUS	216
18.1	OVERVIEW	216
18.2	ACCESS.BUS REGISTER DESCRIPTIONS	217
18.2.1	ACCESS.bus Control Register	217
18.2.2	Access.bus Status Register.....	218
18.2.3	Own Address Register.....	220
18.2.4	Data Register.....	220
18.2.5	Clock Register	221
18.2.6	ACCESS.BUS Switch Register.....	222
19	MAILBOX REGISTER INTERFACE	223
19.1	OVERVIEW	223
19.2	MAILBOX REGISTERS INTERFACE BASE ADDRESS.....	224
19.3	MAILBOX REGISTERS INTERFACE ACCESS PORTS	224
19.4	MAILBOX REGISTERS	224
19.5	THE SYSTEM/8051 INTERFACE REGISTERS	225
19.5.1	Mailbox Register 0: System-to-8051.....	225
19.6	8051 STOP CLOCK REGISTER.....	226
19.7	ESMI REGISTERS	228
19.8	FDC SHADOW REGISTERS.....	229
20	PULSE WIDTH MODULATORS	231
20.1	OVERVIEW	231
20.2	PWM SPEED CONTROL REGISTERS	232
20.3	PWM CONTROL REGISTER	233
21	FAN TACHOMETER INTERFACE	236

21.1	FAN TACHOMETER OVERVIEW	236
21.2	THEORY OF OPERATION	236
21.2.1	<i>Timebase Prescaler</i>	236
21.2.2	<i>Fan Pulse Counter and Read Latch</i>	236
21.2.3	<i>Fan Pulse Counter Threshold Detector</i>	237
21.2.4	<i>Fan Pulse Counter Preload</i>	237
21.3	EXAMPLE	238
21.4	FAN1 READ LATCH REGISTER	238
21.5	FAN2 READ LATCH REGISTER	239
21.6	FAN1 PULSE COUNTER PRELOAD REGISTER	239
21.7	FAN2 PRELOAD REGISTER	239
21.8	FAN TACHOMETER TIMEBASE PRESCALER REGISTER	240
21.9	8051 FAN TACHOMETER INTERRUPT REGISTERS	240
22	8051 CONTROLLED PARALLEL PORT.....	241
22.1	OPERATION REGISTERS	241
23	HOST CONTROLLED IR PORT	243
24	GPIO INTERFACE	244
24.1	OVERVIEW	244
24.2	8051 NON-SFR GPIOs.....	246
24.3	8051 NON-SFR REGISTERS.....	246
24.4	LPC/8051-ADDRESSABLE GPIOs.....	249
24.4.1	<i>LPC LGPIO Base Address</i>	251
24.4.2	<i>LGPIO LPC Runtime Registers</i>	251
24.4.3	<i>LGPIO MMCR (8051) Registers</i>	254
24.5	BIT-WISE ADDRESSABLE 8051 SFR GPIOs.....	259
24.6	GPIO PASS-THROUGH PORTS	261
24.6.1	<i>GPIO Pass-Through Port Mux Register</i>	261
24.6.2	<i>GPTP Multiplexer</i>	262
25	MULTIFUNCTION PIN	263
25.1	OVERVIEW	263
25.2	FUNCTIONS AVAILABLE ON MORE THAN ONE PIN.....	263
25.3	MULTIPLEXING_1 REGISTER - MISC[7:0]	264
25.4	MULTIPLEXING_2 REGISTER - MISC[16:9].....	266
25.5	MULTIPLEXING_3 REGISTER - MISC[23:17].....	267
26	ACPI PM1 BLOCK.....	270
26.1	ACPI PM1 BLOCK OVERVIEW	270
26.2	ACPI PM1 BLOCK SCI EVENT-GENERATING FUNCTIONS	270
26.3	ACPI PM1 BLOCK BASE ADDRESS	270
26.4	ACPI PM1 BLOCK.....	271
26.5	REGISTERS	271
26.5.1	<i>Power Management 1 Status Register 1 (PM1_STS 1)</i>	272
26.5.2	<i>Power Management 1 Status Register 2 (PM1_STS 2)</i>	272
26.5.3	<i>Power Management 1 Enable Register 1 (PM1_EN 1)</i>	272
26.5.4	<i>Power Management 1 Enable Register 2 (PM1_EN 2)</i>	273
26.5.5	<i>Power Management 1 Control Register 1 (PM1_CNTRL 1)</i>	273
26.5.6	<i>Power Management 1 Control Register 2 (PM1_CNTRL 2)</i>	273
26.6	NEC_SCI PIN INTERFACE.....	273
27	REAL TIME CLOCK.....	275
27.1	GENERAL DESCRIPTION	275
27.2	CONFIGURATION REGISTERS	275
27.3	ISA HOST I/O INTERFACE	275
27.4	INTERNAL REGISTERS	276
27.5	TIME CALENDAR AND ALARM	276
27.6	UPDATE CYCLE	277
27.7	CONTROL AND STATUS REGISTERS.....	278
27.7.1	<i>Register A</i>	278
27.7.2	<i>Register B</i>	279
27.7.3	<i>Register C</i>	280

27.7.4	Register D.....	280
27.7.5	Century Byte.....	280
27.7.6	General Purpose.....	281
27.7.7	Shared RTC Control.....	281
27.8	INTERRUPTS.....	281
27.8.1	Frequency Divider.....	281
27.9	8051 RTC CMOS ACCESS.....	281
27.10	32kHz CLOCK INPUT.....	283
27.11	POWER MANAGEMENT.....	283
28	PCI CLOCK RUN SUPPORT.....	284
28.1	OVERVIEW.....	284
28.2	USING NCLKRUN.....	284
28.2.1	nCLKRUN Support for Serial IRQ Cycle.....	284
28.2.2	nCLKRUN Support for LPC DMA Cycle.....	284
29	SERIAL INTERRUPTS.....	286
29.1	SERIRQ MODE BIT FUNCTION.....	286
30	XNOR-CHAIN TEST MODE.....	289
30.1	KAHUNA BOARD LEVEL CONNECTIVITY TEST MODE.....	289
31	LPC47N252 CONFIGURATION.....	290
31.1	OVERVIEW.....	290
31.2	CONFIGURATION REGISTER ACCESS.....	290
31.2.1	Primary Configuration Address Decoder.....	290
31.2.2	Configuration Sequence Example.....	291
31.2.3	Base Address Configuration Registers.....	292
31.2.4	Configuration Register Reset Conditions.....	292
31.3	CONFIGURATION REGISTER MAP.....	292
31.4	CHIP LEVEL (GLOBAL) CONTROL/CONFIGURATION REGISTERS[0x00-0x2F].....	294
31.5	LOGICAL DEVICE CONFIGURATION/CONTROL REGISTERS [0x30-0xFF].....	296
31.6	I/O BASE ADDRESS CONFIGURATION REGISTER DESCRIPTION.....	298
31.7	INTERRUPT SELECT CONFIGURATION REGISTER DESCRIPTION.....	299
31.8	DMA CHANNEL SELECT CONFIGURATION REGISTER DESCRIPTION.....	300
31.9	INTERRUPT AND DMA ENABLE AND DISABLE.....	300
31.9.1	Logical Device 0 (FDC).....	300
31.9.2	Logical Device 5 (Serial Port1).....	300
31.9.3	Logical Device 5 (Serial Port2/USART).....	300
31.9.4	Parallel Port.....	301
31.9.5	Real Time Clock (RTC).....	301
31.9.6	Keyboard Controller (KYBD).....	301
31.10	SMSC DEFINED LOGICAL DEVICE CONFIGURATION REGISTERS.....	301
32	ELECTRICAL SPECIFICATIONS.....	306
32.1	MAXIMUM GUARANTEED RATINGS*.....	306
32.2	DC SPECIFICATIONS.....	306
32.3	AC SPECIFICATIONS.....	311
33	TIMING DIAGRAMS.....	312
33.1	CLOCK AND RESET TIMING.....	312
33.2	LPC TIMING.....	313
33.3	FLOPPY DISK TIMING.....	315
33.4	EPP TIMING.....	316
33.5	ECP PARALLEL PORT TIMING.....	319
33.6	SERIAL IRQ TIMING.....	323
33.7	SERIAL PORT DATA TIMING.....	323
33.8	ACCESS.BUS TIMING.....	324
33.9	FAN AND FAN TACHOMETER TIMING.....	325
33.10	PS/2 TIMING.....	326
33.11	FLASH TIMING.....	329
34	PACKAGE OUTLINE DATA.....	330

APPENDIX A: HIGH-PERFORMANCE 8051 CYCLE TIMING & INSTRUCTION SET	332
APPENDIX B HIGH PERFORMANCE 8051 EXTENDED INTERRUPT UNIT	336
APPENDIX B INTERRUPTS	336
<i>Interrupt Processing</i>	336
<i>Interrupt Masking</i>	336
<i>Interrupt Priorities</i>	336
<i>Interrupt Sampling</i>	336
<i>Interrupt Latency</i>	336
DUAL DATA POINTERS	336
TIMER 2.....	337
Overview.....	337
16-bit Timer/Counter Mode with Auto-reload.....	337
Baud Rate Generator Mode.....	337
SPECIAL FUNCTION REGISTERS	337
DPL1.....	338
CKCON.....	338
MPAGE.....	339
T2CON.....	339
RCAP2L.....	340
RCAP2H.....	340
TL2.....	341
TH2.....	341
EXIF.....	341
EICON	342
EIE.....	343
EIP.....	344

1.1 REFERENCE DOCUMENTS

1.1.1 INTEL LOW PIN COUNT SPECIFICATION

Revision 1.0, September 29, 1997.

1.1.2 PCI LOCAL BUS SPECIFICATION

Revision 2.2, December 18, 1998

1.1.3 ADVANCED CONFIGURATION AND POWER INTERFACE SPECIFICATION

Revision 1.0a, July 1, 1998

1.1.4 LPC47N252 NOTEBOOK I/O CONTROLLER WITH ENHANCED KEYBOARD CONTROL AND SYSTEM MANAGEMENT

SMSC Data Sheet, Revision 6/8/99

1.1.5 IEEE 1284 EXTENDED CAPABILITIES PORT PROTOCOL AND ISA INTERFACE STANDARD

Rev 1.14, July 14, 1993. This document is available from Microsoft.

2 TQFP PIN CONFIGURATION

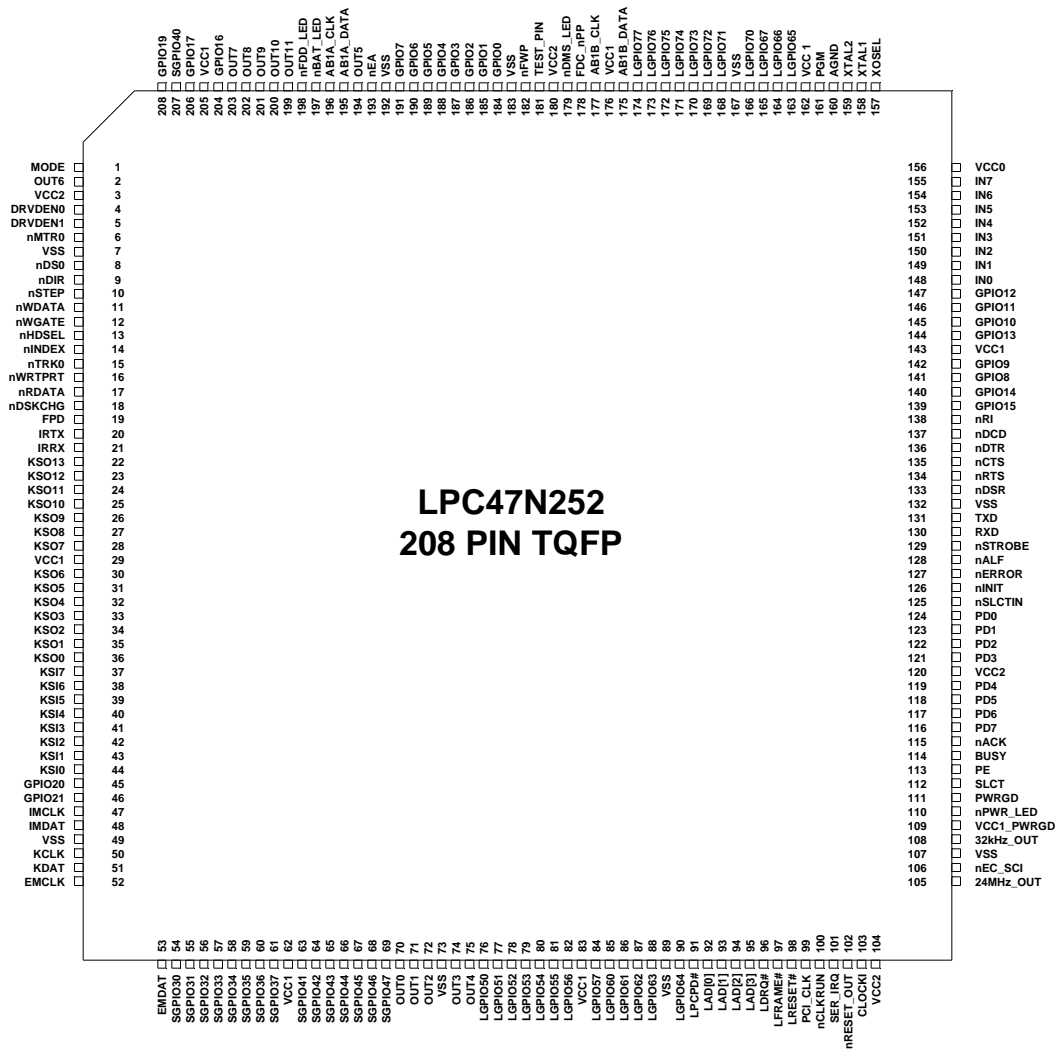


FIGURE 1 - LPC47N252 PIN CONFIGURATION

Note: For FBGA BALL PAD Configuration see FIGURE 102 - 208 PIN FLEX BGA 15.0X15.0X1.10 (PRELIMINARY).

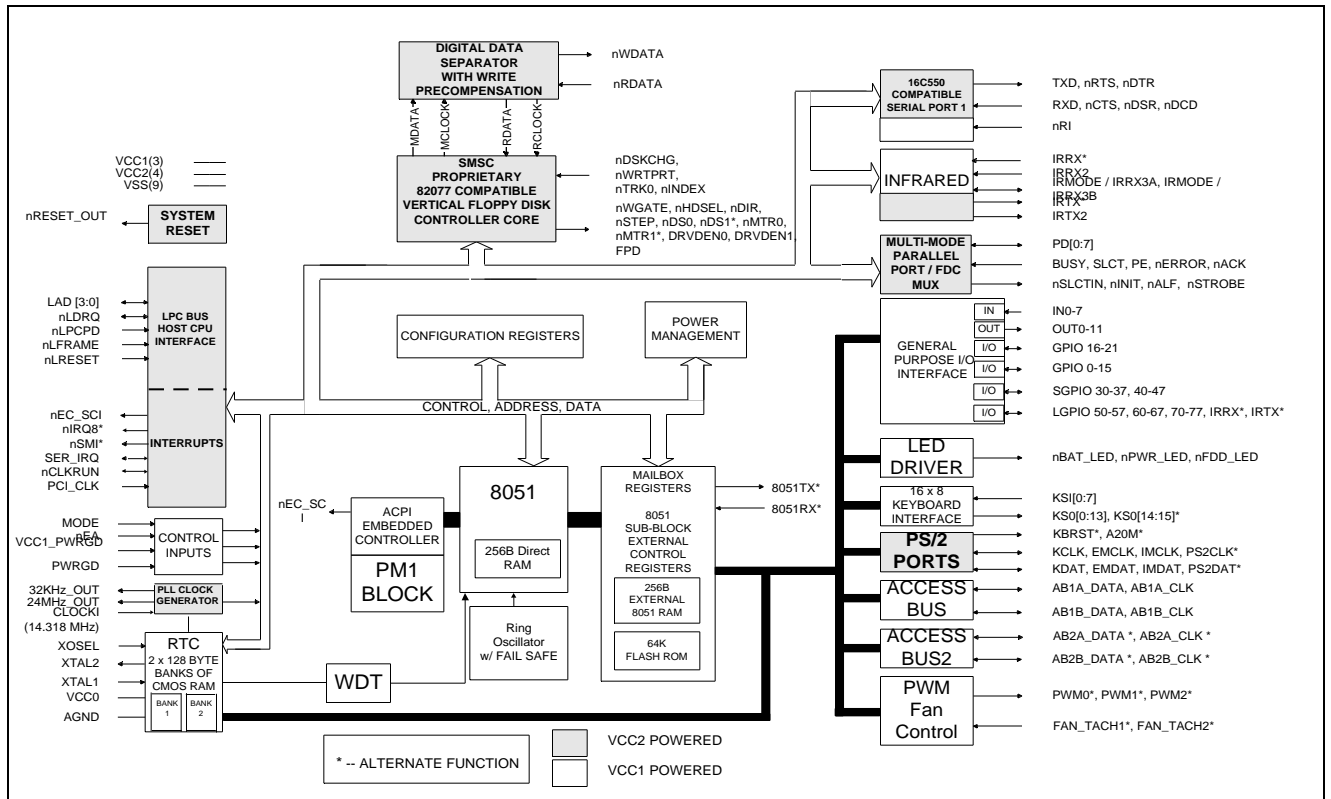


FIGURE 2 – LPC47N252 BLOCK DIAGRAM

3 PIN FUNCTIONS

Table 1 - LPC47N252 Pin Configuration

TQFP PIN #	FBGA	NAME	TQFP PIN #	FBGA	NAME	TQFP PIN #	FBGA	NAME	TQFP PIN #	FBGA	NAME
1	A1	MODE	53	U1	EMDAT	105	U17	24MHz_OUT	157	A17	XOSEL
2	C2	OUT6	54	T3	SGPIO30	106	R16	nEC_SCI	158	B15	XTAL1
3	D4	VCC2	55	P4	SGPIO31	107	P14	VSS	159	D14	XTAL2
4	B1	DRVDE0	56	U2	SGPIO32	108	T17	32kHz_OUT	160	A16	AGND
5	C1	DRVDE1	57	U3	SGPIO33	109	R17	VCC1_PWRGD	161	A15	PGM
6	D2	nMTR0	58	T4	SGPIO34	110	P16	nPWR_LED	162	B14	VCC 1
7	D3	VSS	59	R4	SGPIO35	111	P15	PWRGD	163	C14	LGPIO65
8	E4	nDS0	60	P5	SGPIO36	112	N14	SLCT	164	D13	LGPIO66
9	D1	nDIR	61	U4	SGPIO37	113	P17	PE	165	A14	LGPIO67
10	E2	nSTEP	62	T5	VCC1	114	N16	BUSY	166	B13	LGPIO70
11	E3	nWDATA	63	R5	SGPIO41	115	N15	nACK	167	C13	VSS
12	F4	nWGATE	64	P6	SGPIO42	116	M14	PD7	168	D12	LGPIO71
13	E1	nHDSSEL	65	U5	SGPIO43	117	N17	PD6	169	A13	LGPIO72
14	F2	nINDEX	66	T6	SGPIO44	118	M16	PD5	170	B12	LGPIO73
15	F3	nTRK0	67	R6	SGPIO45	119	M15	PD4	171	C12	LGPIO74
16	G4	nWRTPRT	68	P7	SGPIO46	120	L14	VCC2	172	D11	LGPIO75
17	F1	nRDATA	69	U6	SGPIO47	121	M17	PD3	173	A12	LGPIO76
18	G2	nDSKCHG	70	T7	OUT0	122	L16	PD2	174	B11	LGPIO77
19	G3	FPD	71	R7	OUT1	123	L15	PD1	175	C11	AB1B_DATA
20	H4	IRTX	72	P8	OUT2	124	K14	PD0	176	D10	VCC1
21	G1	IRRX	73	U7	VSS	125	L17	nSLCTIN	177	A11	AB1B_CLK
22	H2	KSO13	74	T8	OUT3	126	K16	nINIT	178	B10	FDC_nPP
23	H3	KSO12	75	R8	OUT4	127	K15	nERROR	179	C10	nDMS_LED
24	J4	KSO11	76	P9	LGPIO50	128	J14	nALF	180	D9	VCC2
25	H1	KSO10	77	U8	LGPIO51	129	K17	nSTROBE	181	A10	TEST_PIN
26	J2	KSO9	78	T9	LGPIO52	130	J16	RXD	182	B9	nFWP
27	J3	KSO8	79	R9	LGPIO53	131	J15	TXD	183	C9	VSS
28	K4	KSO7	80	P10	LGPIO54	132	H14	VSS	184	D8	GPIO0
29	J1	VCC1	81	U9	LGPIO55	133	J17	nDSR	185	A9	GPIO1
30	K2	KSO6	82	T10	LGPIO56	134	H16	nRTS	186	B8	GPIO2
31	K3	KSO5	83	R10	VCC1	135	H15	nCTS	187	C8	GPIO3
32	L4	KSO4	84	P11	LGPIO57	136	G14	nDTR	188	D7	GPIO4
33	K1	KSO3	85	U10	LGPIO60	137	H17	nDCD	189	A8	GPIO5
34	L2	KSO2	86	T11	LGPIO61	138	G16	nRI	190	B7	GPIO6
35	L3	KSO1	87	R11	LGPIO62	139	G15	GPIO15	191	C7	GPIO7
36	M4	KSO0	88	P12	LGPIO63	140	F14	GPIO14	192	D6	VSS
37	L1	KSI7	89	U11	VSS	141	G17	GPIO8	193	A7	nEA
38	M2	KSI6	90	T12	LGPIO64	142	F16	GPIO9	194	B6	OUT5
39	M3	KSI5	91	R12	LPCPD#	143	F15	VCC1	195	C6	AB1A_DATA
40	N4	KSI4	92	P13	LAD[0]	144	E14	GPIO13	196	D5	AB1A_CLK
41	M1	KSI3	93	U12	LAD[1]	145	F17	GPIO10	197	A6	nBAT_LED
42	N2	KSI2	94	T13	LAD[2]	146	E16	GPIO11	198	B5	nFDD_LED
43	N3	KSI1	95	R13	LAD[3]	147	E15	GPIO12	199	C5	OUT11
44	N1	KSI0	96	U13	LDRQ#	148	E17	IN0	200	A5	OUT10
45	P1	GPIO20	97	U14	LFRAME#	149	D17	IN1	201	A4	OUT9
46	P2	GPIO21	98	T14	LRESET#	150	D16	IN2	202	B4	OUT8
47	P3	IMCLK	99	R14	PCI_CLK	151	D15	IN3	203	C4	OUT7
48	R1	IMDAT	100	U15	nCLKRUN	152	C17	IN4	204	A3	GPIO16
49	T1	VSS	101	U16	SER_IRQ	153	B17	IN5	205	A2	VCC1
50	R2	KCLK	102	T15	nRESET_OUT	154	C16	IN6	206	B3	GPIO17
51	R3	KDAT	103	R15	CLOCKI	155	C15	IN7	207	C3	SGPIO40
52	T2	EMCLK	104	T16	VCC2	156	B16	VCC0	208	B2	GPIO19

 VCC2

 VCC1

 VCC0

3.1 DESCRIPTION OF PIN FUNCTIONS

Device functions per pin are shown in **Table 2**. Buffer Modes symbols in **Table 2** are described in

Table 3. Multifunction pins are summarized in **Table 4**, including a multiplex controls reference.

The pins and descriptions in **Table 2** are organized by primary pin function. For example, the PS2 Serial Clock and PS2 Serial Data pins are technically part of the KEYBOARD AND MOUSE INTERFACE but are listed in the GENERAL PURPOSE I/O INTERFACE because the GPIO function of these pins is the default.

Table 2 - Pin Function Description

TQFP PIN	NOTES	NAME	DESCRIPTION	POWER PLANE	BUFFER MODES ²
FDD INTERFACE (15)					
4	Note 14	DRVDEN0	Drive Density Select 0	VCC2	(O12/OD12)
5	Note 14	DRVDEN1	Drive Density Select 1	VCC2	(O12/OD12)
6	Note 14	nMTR0	Motor On 0	VCC2	(O12/OD12)
8	Note 14	nDS0	Drive Select 0	VCC2	(O12/OD12)
9	Note 14	nDIR	Step Direction	VCC2	(O12/OD12)
10	Note 14	nSTEP	Step Pulse	VCC2	(O12/OD12)
11	Note 14	nWDATA	Write Disk Data	VCC2	(O12/OD12)
12	Note 14	nWGATE	Write Gate	VCC2	(O12/OD12)
13	Note 14	nHSEL	Head Select	VCC2	(O12/OD12)
14		nINDEX	Index Pulse Input	VCC2	IS
15		nTRK0	Track 0	VCC2	IS
16		nWRTPRT	Write Protected	VCC2	IS
17		nRDATA	Read Disk Data	VCC2	IS
18		nDSKCHG	Disk Change	VCC2	IS
19		FPD	Floppy Power Down Output Control	VCC2	O8
PCI POWER MANAGEMENT AND SIRQ INTERFACE (4)					
106	Note 7	nEC_SCI	Power Management Event ⁷	VCC1	PCI_OD
99		PCI_CLK	PCI Clock	VCC2	PCI_ICLK
101		SER_IRQ	Serial IRQ	VCC2	PCI_IO
100		nCLKRUN	PCI Clock Control	VCC2	PCI_OD
LPC BUS (8)					
95: 92	Note 17	LAD[3:0]	LPC address/data bus. Multiplexed command, address and data bus.	VCC2	PCI_IO
96		LDRQ#	Encoded DMA request for the LPC interface.	VCC2	PCI_O
91		LPCPD#	Powerdown Signal. Indicates that the Kahuna should prepare for power to be shut on the LPC interface. Used as LPC powergood	VCC2	PCI_I
97		LFRAME#	Frame signal. Indicates start of new cycle and termination of broken cycle	VCC2	PCI_I
98	Note 15 Note 16	LRESET#	LPC Reset. LRESET# is the same as the system PCI reset, PCIRST#	VCC2	PCI_I
KEYBOARD AND MOUSE INTERFACE (28)					
36:30, 28:24	Note 13	KSO[0:11]/ ATE Prog. Access/ Ext. Flash	Keyboard Scan Outputs (14 × 8). NOTE: GPIO4 and GPIO5 can be configured as KSO14 and KSO15 (16 × 8).	VCC1	OD4/IO4/IO4
23		KSO12 OUT8/ KBRST	Keyboard Scan Output General Purpose Output CPU_RESET ³	VCC1	OD4/OD4/OD4
22	Note 11	KSO13/ GPIO18	Keyboard Scan Output General Purpose I/O	VCC1	IOD4/IOD4

TQFP PIN	NOTES	NAME	DESCRIPTION	POWER PLANE	BUFFER MODES ²
44:38	Note 13	KS[0:6]]/ ATE Prog. Access/ Ext. Flash	Keyboard Scan Inputs	VCC1	ISP/IO4/IO4
37		KS17	Keyboard Scan Inputs	VCC1	ISP
52		EMCLK	EM Serial Clock	VCC2	IOD16
53		EMDAT	EM Serial Data	VCC2	IOD16
47		IMCLK	IM Serial Clock	VCC2	IOD16
48		IMDAT	IM Serial Data	VCC2	IOD16
51		KDAT	Keyboard Data	VCC2	IOD16
50		KCLK	Keyboard Clock	VCC2	IOD16
GENERAL PURPOSE I/O INTERFACE (81)					
70	Note 7, Note 8	OUT0 (SCI)	General Purpose Output (SCI)	VCC1	(O12/OD12)
71	Note 3	OUT1/ nIRQ8	General Purpose Output/ Active Low RTC IRQ ³	VCC1	O12/O12
72		OUT2	General Purpose Output	VCC1	O12
74		OUT3	General Purpose Output	VCC1	O12
75		OUT4	General Purpose Output	VCC1	O12
194	Note 3	OUT5/ nDS1/ KBRST	General Purpose Output FDD Drive Select 1 ³ CPU_RESET ³	VCC1	O12/(O12/OD1 2)/O12
2	Note 3	OUT6/ nMTR1	General Purpose Output FDD Motor On 1 ³	VCC1	O12/(O12/OD1 2)
203	Note 3	OUT7/ nSMI	General Purpose Output SMI Output ³	VCC1	O12/OD12
202	Note 3	OUT8/ KBRST	General Purpose Output CPU_RESET	VCC1	O12/O12
201	Note 3	OUT9/ PWM2	General Purpose Output Pulse Width Modulator Output	VCC1	O12/O12
200		OUT10/ PWM0	General Purpose Output Pulse Width Modulator Output	VCC1	O12/O12
199		OUT11/ PWM1	General Purpose Output Pulse Width Modulator Output	VCC1	O12/O12
148	Note 4	IN0 (WK_EE4)	General Purpose Input	VCC1	I
149	Note 4	IN1 (WK_EE2)	General Purpose Input	VCC1	I
150	Note 4	IN2 (WK_EE3)	General Purpose Input	VCC1	I
151		IN3 (nGPWKUP)	General Purpose Input (General Purpose Wake Up)	VCC1	I
152	Note 5	IN4 (WK_SE00)	General Purpose Input	VCC1	I
153	Note 5	IN5 (WK_SE01)	General Purpose Input	VCC1	I
154	Note 5	IN6 (WK_SE05)	General Purpose Input	VCC1	I
155	Note 4	IN7 (WK_EE1)	General Purpose Input	VCC1	I
184	Note 5	GPIO0 (WK_SE02)	General Purpose I/O	VCC1	IO8
185	Note 5	GPIO1 (WK_SE03)	General Purpose I/O	VCC1	IO8
186	Note 5	GPIO2 (WK_SE04)	General Purpose I/O	VCC1	IO8
187	Note 6	GPIO3 (TRIGGER)	General Purpose I/O (Interrupt 1 Event)	VCC1	IO8
188	Note 5	GPIO4 (WK_SE07) KSO14	General Purpose I/O Keyboard Scan Output	VCC1	IO8/OD8

TQFP PIN	NOTES	NAME	DESCRIPTION	POWER PLANE	BUFFER MODES ²
189	Note 5	GPIO5 (WK_SE10)/ KSO15	General Purpose I/O Keyboard Scan Output	VCC1	IO8/OD8
190	Note 5	GPIO6 (WK_SE11)/ IRMODE/IRRX 3A	General Purpose I/O FIR Mode Output or 2 nd Receive Input	VCC1	IO8/(O8/I)
191	Note 5, Note 8	GPIO7 (WK_SE06)	General Purpose I/O	VCC1	(IO8/IOD8) ⁸
141	Note 5	GPIO8 (WK_SE12)/ IRRX2	General Purpose I/O IR Receive Input	VCC1	IO8/I
142	Note 1, Note 5	GPIO9 (WK_SE13)/ IRTX2	General Purpose I/O IR Transmit Output	VCC1	IO12/O12
145	Note 5	GPIO10 (WK_SE14)/ IRMODE/IRRX 3B	General Purpose I/O FIR Mode Output or 2 nd Receive Input	VCC1	IO8/O8/(O8/I)
146	Note 5	GPIO11 (WK_SE15)/ AB2A_DATA	General Purpose I/O ACCESS.Bus 2 Serial Data (switch position A)	VCC1	IO12 /IOD12
147	Note 5	GPIO12 (WK_SE16) AB2A_CLK	General Purpose I/O ACCESS.Bus 2 Clock (switch position A)	VCC1	IO12 /IOD12
144	Note 5	GPIO13 (WK_SE17) AB2B_DATA	General Purpose I/O ACCESS.Bus 2 Serial Data (switch position B)	VCC1	IO12 /IOD12
140	Note 5	GPIO14 (WK_SE20) AB2B_CLK	General Purpose I/O ACCESS.Bus 2 Clock (switch position B)	VCC1	IO12 /IOD12
139	Note 5	GPIO15 (WK_SE21) FAN_TACH1	General Purpose I/O Fan Tachometer Input 1	VCC1	IO8/I
204	Note 5	GPIO16 (WK_SE22) FAN_TACH2	General Purpose I/O Fan Tachometer Input 2	VCC1	IO8/I
206	Note 3, Note 5	GPIO17 (WK_SE23)/ A20M	General Purpose I/O KBD GATEA20 Output ³	VCC1	IO8/O8
208	Note 5	GPIO19 (WK_SE24)	General Purpose I/O	VCC1	IO8
45	Note 3, Note 5	GPIO20 (WK_SE25) ⁵ / PS2CLK/ 8051RX/	General Purpose I/O PS2 Serial Clock ³ 8051 RX Input	VCC1	IOD16/IOD16/I
46	Note 3, Note 5	GPIO21 (WK_SE26) ⁵ / PS2DAT/ 8051TX	General Purpose I/O PS2 Serial Data ³ 8051 TX Input	VCC1	IOD16/IOD16/O D16
54:61		SGPIO30 – SGPIO37	8051 SFR bit-wise addressable GPIO	VCC1	IO8/(O8/I)
207, 63:69		SGPIO40 – SGPIO47	8051 SFR bit-wise addressable GPIO	VCC1	IO8/(O8/I)
76:84		LGPIO50 – LGPIO57	LPC General Purpose I/O	VCC1	IO8
85:90 163:165		LGPIO60 – LGPIO67	LPC General Purpose I/O	VCC1	IO8

TQFP PIN	NOTES	NAME	DESCRIPTION	POWER PLANE	BUFFER MODES ²
166, 168:174		LGPIO70 – LGPIO77	LPC General Purpose I/O	VCC1	IO8
INFRARED INTERFACE (2)					
21		IRRX	IR Receive Input	VCC1	I
20	Note 1	IRTX	IR Transmit Output	VCC2	O12
PARALLEL PORT INTERFACE (17)					
126		nINIT/ nDIR	Initiate Output FDC Direction Control	VCC2	(OD14/OP14) / OD14
125		nSLCTIN/ nSTEP	Printer Select Input FDC Step Pulse	VCC2	(OD14/OP14) / OD14
124		PD0/ nINDEX	Port Data 0 FDC Index	VCC2	IOP14/I
123		PD1/ nTRK0	Port Data 1 FDC Track 0	VCC2	IOP14/I
122		PD2/ nWRTPRT	Port Data 2 FDC Write Protected	VCC2	IOP14/I
121		PD3/ nRDATA	Port Data 3 FDC Read Disk Data	VCC2	IOP14/I
119		PD4/ nDSKCHG	Port Data 4 FDC Disk Change	VCC2	IOP14/I
118		PD5	Port Data 5	VCC2	IOP14
117		PD6/ nMTR0	Port Data 6 FDC Motor On 0	VCC2	IOP14/OD14
116		PD7	Port Data 7	VCC2	IOP14
112		SLCT/ nWGATE	Printer Selected Status FDC Write Gate	VCC2	I/OD12
113		PE/ nWDATA	Paper End FDC Write Data	VCC2	I/OD12
114		BUSY/ nMTR1	Busy FDC Motor On 1	VCC2	I/OD12
115		nACK/ nDS1	Acknowledge FDC Drive Select 1	VCC2	I/OD12
127		nERROR/ nHDSEL	Error FDC Head Select	VCC2	I/OD12
128		nALF/ DRVDEMO	Autofeed Output FDC Density Select 0	VCC2	(OD14/OP14)/O D14
129		nSTROBE/ nDS0	Strobe Output FDC Drive Select 0	VCC2	(OD14/OP14)/O D14
SERIAL PORT INTERFACE (8)					
130		RXD	Receive Data	VCC2	I
131		TXD	Transmit Data	VCC2	O12
133		nDSR	Data Set Ready	VCC2	I
134		nRTS	Request to Send	VCC2	O8
135		nCTS	Clear to Send	VCC2	I
136		nDTR	Data Terminal Ready	VCC2	O8
138		nRI	Ring Indicator	VCC1	I
137		nDCD	Data Carrier Detect	VCC2	I
MISCELLANEOUS (17)					
108		32kHz_OUT	32.768kHz Output Clock	VCC1	O8
105		24MHz_OUT	24MHz Clock Output	VCC2	O24
103		CLOCKI	14.318MHz Clock Input	VCC2	ICLK
1	Note 18	MODE	Configuration Ports Base Address Select	VCC1	I
157	Note 10	XOSEL ¹⁰	External 32kHz Clock Enable Input	VCC0	I
109	Note 9	VCC1_PWRGD	VCC1 Power Good Input	VCC1	I

TQFP PIN	NOTES	NAME	DESCRIPTION	POWER PLANE	BUFFER MODES ²
102		nRESET_OUT	System Reset	VCC2	O8
197		nBAT_LED	Battery LED (0 = ON)	VCC1	OD12
110		nPWR_LED	Power LED (0 = ON)	VCC1	OD12
198		nFDD_LED	Floppy LED (0 = ON)	VCC1	OD12
179		nDMS_LED	Dead Man Switch LED (0 = ON). (See section 13.9)	VCC1	OD12
111	Note 9	PWRGD	VCC2 Power Good Input	VCC1	I
161	Note 12	PGM	Flash Programming Enable (see section 13.6, ATE Flash Program Access)	VCC1	IPD
182		nFWP	Flash Boot Block Write Protect (see section 12.4, Flash Boot Block Protect Controls)	VCC1	I
178		FDC_nPP	FDC on Parallel Port Detect Pin	VCC1	I
193		nEA	Internal/External Flash Select (spec section 13.7, External Flash Interface)	VCC1	I
181		TEST_PIN	No Connect. This pin provides access to the SMSC board level XNOR-Chain test. See Section 30 on page 289.	VCC1	-
ACCESS BUS INTERFACE (4)					
195		AB1A_DATA	ACCESS.Bus 1 Serial Data (switch position A)	VCC1	IOD12
196		AB1A_CLK	ACCESS.Bus 1 Clock (switch position A)	VCC1	IOD12
175		AB1B_DATA	ACCESS.Bus 1 Serial Data (switch position B)	VCC1	IOD12
177		AB1B_CLK	ACCESS.Bus 1 Clock (switch position B)	VCC1	IOD12
REAL TIME CLOCK INTERFACE (2)					
158		XTAL1	32.768kHz Crystal Input	VCC0	ICLK2
159	Note 10	XTAL2 ¹⁰	32.768kHz Crystal Output	VCC0	(OCLK2/I)
POWER PLANES (22)					
156		VCC0	RTC (V_{BAT}) Supply Voltage (×1)		
29, 62, 83, 143, 162, 176		VCC1	+3.3V ± 5% Main Battery Supply (×7)		
3, 104, 120, 180		VCC2	+3.3V ± 5% Switched AC/Main Battery Supply (×4)		
160		AGND	Analog Ground (×1)		
7, 49, 73, 89, 107, 132, 167, 183, 192,		VSS	Digital Ground (×9)		

Note 1: These pins default to “output”, “low” to prevent infrared transceiver damage.

Note 2: Buffer Modes per function on multiplexed pins are separated by a slash “/”; e.g., a pin with two multiplexed functions where the primary function is an input and the secondary function is an 8mA bi-directional driver is represented as “I/IO8”. Buffer Modes in parenthesis represent multiple buffer modes for a single pin function.

Note 3: This pin is tristated when PWRGD is inactive and the pin is configured as a VCC2-powered alternate function.

Note 4: These devices can generate wake-up events on either edge of the signal that is applied when the pin is configured as an input. The interrupts are masked by the Wake-up Mask Register bits.

Note 5: These devices can generate wake-up events on selectable edges of the signal that is applied when the pin is configured as an input. The interrupts are masked by the Wake-up Mask Registers and selected edges are programmed via the Edge Select registers (see Tikki section 8051 Internal Parallel Interrupts on page 151).

Note 6: This interrupt is masked by INT1 Mask Register bit 3. GPIO3 is the only GPIO pin which does not generate a wakeup event.

Note 7: The nEC_SCI pin can be controlled by hardware and 8051 software. The nEC_SCI pin can drive either the ACPI Run-time GPE Chipset input or the Wake GPE Chipset input (**FIGURE 8** on page 75). Depending how the nEC_SCI pin is used, other ACPI-related SCI functions may be best supplied by LPC47N252 general purpose output OUT0.

Note 8: OUT0 and GPIO7 are suitable as an SCI output pin because the buffer type can be configured as a push-pull * or open-drain output (see section 24.4.3.5.)

Note 9: Input levels for the PWRGD and VCC1_PWRGD pins are as follows: $V_{IL} = V_{SS} \pm 400mV$ and $V_{IH} = V_{CC1} \pm 400mV$. VCC1_PWRGD must be driven high or low at all times. VCC1_PWRGD may be tied high but VCC0 must be connected to VCC1 and all RTC time-keeping and CMOS memory functions are invalidated.

Note 10: The function of these pins are described in the 32kHz Clock Input section 27.10.

Note 11: The GPIO18 alternate function of the KS013 pin has no wake-up capability (see note following Figure 21 on page 152 in Tikki)

Note 12: This pin has an internal pull-down resistor to guarantee that the input remains deasserted when unconnected. This input must also be easily pulled-up by ATE.

Note 13: These pins are multiplexed according to the PGM and nEA pins to support an external Flash interface and to support internal Flash programming (see spec sections section 13.2 Flash Program Interface Decoder, 13.6 ATE Flash Program Access and section 13.7, External Flash Interface, and 13.8 Keyboard Controller Bus Monitor Interface). **Note 14:** The FDC output pins can be configured as either Open Drain outputs capable of sinking 12mA (OD12) or as push-pull outputs capable of driving 6mA and sinking 12mA (O12). The FDC output pins must tristate when the FDC is in powerdown mode (The board designer must provide external pull-up resistors on these output pins).

Note 15: LPCPD# is a VCC2-powered signal but is sensed by the 8051 on VCC1 (see section 11.8.3.6).

Note 16: In the LPC47N252, Hard Reset is generated internally by the 8051 for all SIO blocks except for the LPC Host Interface where LRESET#, alone, provides this function..

Note 17: These pins require a weak pull-up resistors of 10k-100k ohms.

Note 18: The input path for the MODE pin pad has a V_t drop when passing a logic high signal.

Table 3 - Buffer Mode

BUFFER SYMBOL	DESCRIPTION
I	Input
IO12	Bidirectional – 12mA sink, 6mA source
IO4	Bidirectional – 4mA, 2mA source
IO8	Bidirectional – 8mA, 4mA source
IOD16	Input, open drain output – 16mA sink
IOD8	Input, open drain output – 8mA sink
IOP14	Bidirectional – 14mA sink, 14mA source, backdrive protected
IP	Input with pullup
IPD	Input with pullup
IS	Schmitt trigger input
ISP	Schmitt trigger input with pullup
O12	Output – 12mA, 6mA source
O8	Output – 8mA, 4mA source
OD12	Open drain – 12mA sink
OD14	Open drain – 14mA sink
OD16	Open drain – 16mA sink
OD4	Open drain – 4mA sink
OD8	Open drain – 8mA sink
OP14	Output – 14mA sink, 14mA source, backdrive protected
PCI_I	PCI input

BUFFER SYMBOL	DESCRIPTION
PCI_ICLK	PCI clock input
PCI_IO	PCI bidirectional
PCI_O	PCI output
PCI_OD	PCI open drain
ICLK	Clock input
ICLK2	Clock input 2
OCLK2	Clock output 2
O24	Output – 12mA, 6mA source

3.1.1 ALTERNATE FUNCTION PINS

Many of the LPC47N252's signal pins provide alternate functions which may be enabled by the 8051 firmware based on the system design requirements: The pins are identified by primary pin function (Note that some functions are available on more than one pin; e.g., OUT8 and KBRST).

Table 4 - Alternate Function Pins

DEFAULT FUNCTION	PWR	ALTERNATE FUNCTION #1	PWR	ALTERNATE FUNCTION #2	PWR	MULTIPLEX CONTROLS	NOTES
						BIT	
OUT1	VCC1	nIRQ8	VCC2	-	-	MISC0	Note 20
OUT5	VCC1	nDS1	VCC2	KBRST	VCC2	MISC[5, 22]	Note 20 Note 22
OUT6	VCC1	nMTR1	VCC2	-	-	MISC5	Note 20
OUT7	VCC1	nSMI	VCC2	-	-	MISC18	Note 20
OUT8	VCC1	KBRST	VCC2			MISC[17, 6]	Note 20
OUT9	VCC1	PWM2	VCC1	-	-	MISC11	
OUT10	VCC1	PWM0	VCC1	-	-	MISC4	
OUT11	VCC1	PWM1	VCC1	-	-	MISC12	
GPIO4	VCC1	KSO14	VCC1	-	-	MISC9	
GPIO5	VCC1	KSO15	VCC1	-	-		
GPIO6	VCC1	IRMODE/IRRX3A	VCC2	-	-	MISC[14, 13]	Note 20
GPIO8	VCC1	IRRX2	VCC1	-	-	MISC[7, 2]	
GPIO9	VCC1	IRTX2	VCC2	-	-		
GPIO10	VCC1	IRMODE/IRRX3B	VCC2	-	-	MISC[16, 15]	
GPIO11	VCC1	AB2A_DATA	VCC1			MISC[20, 19]	
GPIO12	VCC1	AB2A_CLK	VCC1				
GPIO13	VCC1	AB2B_DATA	VCC1				
GPIO14	VCC1	AB2B_CLK	VCC1				
GPIO15	VCC1	FAN_TACH1	VCC1			MISC23	MISC23
GPIO16	VCC1	FAN_TACH2	VCC1			MISC21	MISC21
GPIO17	VCC1	A20M	VCC1	-	-	MISC6	Note 20
GPIO20	VCC1	PS2CLK	VCC2	8051RX	VCC1	MISC[3, 1]	Note 20
GPIO21	VCC1	PS2DAT	VCC2	8051TX	VCC1		Note 20
KSO12	VCC1	OUT8	VCC1	KBRST	VCC2	MISC[17, 6]	Note 20
KSO13	VCC1	GPIO18	VCC1			MISC[17]	
nINIT	VCC2	nDIR	VCC2	-	-	CR25[4:3]	
nSLCTIN	VCC2	nSTEP	VCC2	-	-		
PD0	VCC2	nINDEX	VCC2	-	-		
PD1	VCC2	nTRK0	VCC2	-	-		
PD2	VCC2	nWRTPRT	VCC2	-	-		
PD3	VCC2	nRDATA	VCC2	-	-		
PD4	VCC2	nDSKCHG	VCC2	-	-		
PD6	VCC2	nMTR0	VCC2	-	-		
SLCT	VCC2	nWGATE	VCC2	-	-		

DEFAULT FUNCTION	PWR	ALTERNATE FUNCTION #1	PWR	ALTERNATE FUNCTION #2	PWR	MULTIPLEX CONTROLS	NOTES
						BIT	
PE	VCC2	nWDATA	VCC2	-	-		
BUSY	VCC2	nMTR1	VCC2	-	-		
nACK	VCC2	nDS1	VCC2	-	-		
nERROR	VCC2	nHDSEL	VCC2	-	-		
nALF	VCC2	DRV DEN0	VCC2	-	-		
nSTROBE	VCC2	nDS0	VCC2	-	-		

Note 19: See a description in the MULTIFUNCTION PIN section 25.

Note 20: When this pin is configured as a VCC2 powered alternate function output and PWRGD is inactive (i.e. VCC2 is 0v), the pin will tri-state to prevent back-biasing of external circuitry (see Section 24.)

Note 21: This pin defaults to “output”, “low” for both the default (GPIO) function and the alternate (IRTX) function, regardless of the state of PWRGD to prevent infrared transceiver damage (see MISC[7, 2] bits of the Multiplexing_1 Register – MISC (7:0)

Note 22: MISC5 must be inactive for MISC22 to enable KBRST.

3.2 POWER CONFIGURATION

There are three power planes in the LPC47N252 V_{CC0} , V_{CC1} , and V_{CC2} with the following power sequencing requirement:

V_{CC2} shall have power applied simultaneously with or after V_{CC1} .

V_{CC1} shall have power applied simultaneously with or after V_{CC0} .

$$V_{CC2} - V_{CC1} \leq 0.5V$$

All internal components which utilize V_{CC0} power plane are switched internally between the VCC1 and VCC0 pins according to VCC1_PWRGD.

See FIGURE 4 - VCC2 POWER-UP TIMING and FIGURE 5 - VCC1_PWRGD TIMING.

See Table 325 for power consumption in various states.

Two LPC47N252 power supply configurations can be utilized. These power supply configuration types fundamentally differ upon the need for a backup battery (V_{BAT}) connection to V_{CC0} .

TYPE 1 devices do not require a V_{CC0} battery connection. Power supply requirements for TYPE 1 devices are as follows: V_{CC0} is tied to V_{SS} , V_{CC1} is connected to the main battery supply, and V_{CC2} is switched from either the main battery or AC power if available. In this configuration all internal components which utilize V_{CC0} power plane are switched internally to the VCC1 upon POR according to VCC1_PWRGD.

TYPE 2 devices require a V_{CC0} battery connection. Power supply requirements for TYPE 2 devices are as follows: V_{CC0} is connected to a backup battery (V_{BAT}), V_{CC1} is connected to the main battery supply, and V_{CC2} is switched from either the main battery or AC power if available. In this configuration all internal components which utilize V_{CC0} power plane only when V_{CC1} is absent. Normally (when VCC1_PWRGD is asserted) they are switched internally to the VCC1 power plane.

The LPC47N252 provides unpredicted VCC2 power failures (See section 11.6, 8051 RING OSCILLATOR FAIL-SAFE CONTROLS on page 125.)

PWRGD and VCC1_PWRGD timing is illustrated in FIGURE 3 through FIGURE 5.

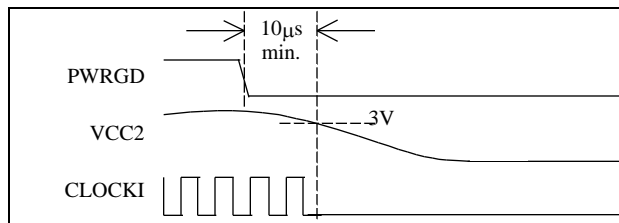


FIGURE 3 – POWER-FAIL EVENT

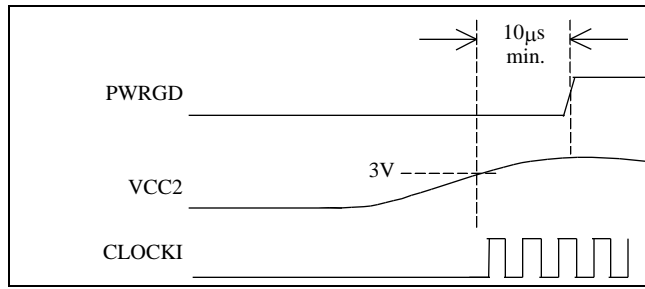


FIGURE 4 - VCC2 POWER-UP TIMING

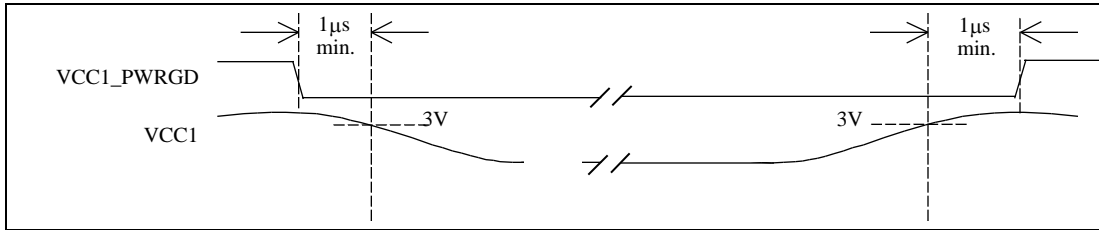


FIGURE 5 - VCC1_PWRGD TIMING

4 FUNCTIONAL DESCRIPTION

The host processor communicates with the LPC47N252 through a series of read/write registers. Register access is accomplished through programmed I/O or DMA transfers. All registers are 8 bits. The address map, shown below in Table 5, shows the set of operating registers and addresses for each of the logical blocks of the LPC47N252 Notebook I/O controller. The base addresses of all the blocks, except the Keyboard Controller can be moved via the configuration registers.

Table 5 - LPC47N252 Operating Register Addresses

LOGICAL DEVICE NUMBER	LOGICAL DEVICE	FIXED / BASE OFFSETS	NOTES
0x00	FDC	+0 : SRA +1 : SRB +2 : DOR +3 : TSR +4 : MSR/DSR +5 : FIFO +7 : DIR/CCR	
0x03	Parallel Port	+0 : Data / ecpAfifo +1 : Status +2 : Control +400h : cfifo / ecpDfifoftfif / cnfgA +401h : cnfgB +402h : ecr	
0x04	Serial Port 1	+0 : RB/TB LSB div +1 : IER MSB div +2 : IIR/FCR +3 : LCR +4 : MCR +5 : LSR +6 : MSR +7 : SCR	
0x05	Infrared Port (UART) 0x60,0x61	+0 : RB/TB LSB div +1 : IER MSB div +2 : IIR/FCR +3 : LCR +4 : MCR +5 : LSR +6 : MSR +7 : SCR	
0x05	IR-SCE 0x62,0x63	+0 : Register Block N, address 0 +1 : Register Block N, address 1 +2 : Register Block N, address 2 +3 : Register Block N, address 3 +4 : Register Block N, address 4 +5 : Register Block N, address 5 +6 : Register Block N, address 6 +7 : SCE Master Control Reg.	

LOGICAL DEVICE NUMBER	LOGICAL DEVICE	FIXED / BASE OFFSETS	NOTES
0x06	RTC 0x60, 0x61 0x62, 0x63	<u>Bank 0 Base address</u> +0 : Address Register +1 : Data Register * <u>Bank 1 Base address</u> +0 : Address Register +2 : Data Register *	
0x07	KYBD	0x60 : Data Register 0x64 : Command/Status Reg.	
0x08	ACP1 EC	+0 : Data Register +1 : Command/Status Reg.	
0x09	Mailbox Reg. Interface	+0 : Index Register +1 : Data Register.	
0x0A	LGPIO	+0 : LGPIO Direction Register G +1 : LGPIO Input Register G +2 : LGPIO Output Register G +3 : LGPIO Direction Register H +4 : LGPIO Input Register H +5 : LGPIO Output Register H +6 : LGPIO Direction Register I +7 : LGPIO Input Register I +8 : LGPIO Output Register I	

Note 1: Refer to the configuration register descriptions for setting the base address

4.1 HOST PROCESSOR INTERFACE (LPC)

The LPC47N252 communicates with the host over a Low Pin Count (LPC) interface. The LPC interface uses 3.3V signaling. For electrical specifications see the Intel Low Pin Count Specification and the PCI Local Bus Specification, Section 4.2.2. The following eight pins provide the LPC interface for the LPC47N252: LAD[3:0], LDRQ#, LPCPD#, LFRAME#, LRESET#. (see **Table 2** on page 15)

4.1.1 LPC BUS CYCLES DESCRIPTION

For a complete description of the LPC Bus Cycles see the Intel Low Pin Count Specification. This section provides the specific tailoring of the Intel Low Pin Count Specification implemented in the LPC47N252.

LPC data transfers are serialized over a 4-bit bus, LAD[3:0]. The LAD[3:0] pins communicate the type, cycle direction, chip selection, address, data, and wait states for each LPC Bus cycle. There is one control pin LFRAME# which is used exclusively by the host to start or stop transfers. No peripherals drive this signal. Optionally implemented side-band signals convey interrupts and power management features using the same signals found on current motherboard implementations. The general flow of cycles is as follows (**Table 6**):

Table 6 - Basic Lpc Bus Cycle Description

1.	A cycle is started by the host by driving LFRAME# active.
2.	The host puts appropriate information related to the cycle on the LAD[3:0] signal lines such as address, or DMA channel number, or bus master grant. For DMA and target cycles, the host also drives cycle type (memory or I/O), read/write direction, and size of the transfer.
3.	The host optionally drives the data on the LAD[3:0] pins and turns the bus around to monitor the peripheral for completion of the cycle.
4.	The peripheral indicates completion of the cycle by driving appropriate values on the LAD[3:0] signal lines, and potentially drives data.
5.	The peripheral turns the bus around to the host, ending the cycle. For bus master cycles, there are small changes to this protocol, as the bus master must drive control and address information to the host, and the host is responsible for ending the cycle, but in general, the flow is the same.

4.1.2 LPC BUS CYCLES SUMMARY

Table 7 illustrates cycle types are supported by the LPC Bus protocol.

Table 7 - Lpc Bus Cycles

CYCLE TYPE (NOTE 3)	TRANSFER SIZE
I/O Write	1 Byte Transfer
I/O Read	1 Byte Transfer
DMA Write	1, 2, or 4 bytes (Note 1)
DMA Read	1, 2, or 4 bytes (Note 1)
Bus Master Write (I/O and Memory)	1, 2, or 4 bytes (Note 2)
Bus Master Read (I/O and Memory)	1, 2, or 4 bytes (Note 2)
Memory Read	1, 2 or 4 byte - Not Supported in the LPC47N252
Memory Write	1, 2 or 4 byte - Not Supported in the LPC47N252

Note 1: The LPC47N252 supports 8-bit, only.

Note 2: The LPC47N252 does not implement bus mastering.

Note 3: Peripherals must ignore cycles that they do not support.

4.1.2.1 32-bit transfers

The LPC47N252 LPC Bus implementation does not support 32-bit transfers.

4.1.2.2 16-bit DMA transfers via channels 5-7

The LPC47N252 LPC Bus implementation does not support 16-bit DMA transfers.

4.1.2.3 Clock Run support of LDRQ# DMA

The LPC47N252 Clock Run function supports the LPC LDRQ# DMA protocol.

4.1.2.4 DMA ACT bit support

See Section 4.1.7.

4.1.3 STANDARD LFRAME# USAGE

See the Intel Low Pin Count Specification, Section 4.2.2. for general description of LFRAME#.

All LPC bus cycles start the same way: the chipset asserts LFRAME# for one or more clocks and drives a START value on the LAD[3:0] pins (see section 4.1.9 I/O And DMA Start Fields). Upon observing LFRAME# active, the peripheral must stop driving the LAD[3:0] signals, even if in the middle of a transfer (see Section 4.1.4 Abort Mechanism).

4.1.4 ABORT MECHANISM

The host can use LFRAME# to force a peripheral off the LPC Bus. See the Intel Low Pin Count Specification, Section 4.2.2.2, for timing for the abort mechanism using LFRAME#.

Note: The LPC47N252 adheres to the following abort policy: on target I/O and DMA cycles, if the host signals an abort before the peripheral has asserted the 'ready' or 'error' SYNC, the cycle will be terminated. No data is to be transferred to the host on I/O reads or DMA writes, and the data written to the LPC47N252 on I/O writes and DMA reads is to be ignored. Note that once the LPC47N252 asserts the ready SYNC, the host will not abort.

4.1.5 I/O READ AND WRITE CYCLES

I/O cycles are initiated by the host for register or FIFO accesses and will generally have minimal Sync times. The minimum number of wait-states between bytes is 1. EPP cycles will depend on the speed of the external device, and may have much longer Sync times.

Data transfers are assumed to be exactly 1-byte. If the CPU requested a 16 or 32-bit transfer, the host will break it up into 8-bit transfers.

4.1.6 DMA READ AND WRITE CYCLES

DMA read cycles involve the transfer of data from the host (main memory) to the peripheral. DMA write cycles involve the transfer of data from the peripheral to the host (main memory). Data will be coming from or going to a FIFO and will have minimal Sync times. DMA data transfers to/from The LPC47N252 are single bytes.

4.1.7 DMA REQUEST

To initiate DMA service, the peripheral encodes its requested channel number on the LDRQ# signal. Each peripheral has its own dedicated LDRQ# signal.

LDRQ# is synchronous with the PCI clock (see section 28.2.2, nCLKRUN Support for LPC DMA Cycle on page 284). The peripheral starts the DMA cycle by asserting a START bit. The START bit is LDRQ# asserted (low) for one PCI clock cycle (FIGURE 6). The next three bits contain the encoded requested DMA channel number (MSB first).

The ACT bit follows the LSB bit. The ACT bit indicates if the encoding is associated with the DMA request going active or inactive; i.e., ACT = '1' if the request is active, ACT = '0' if the request is inactive. The ACT bit allows for a previous DMA request for that channel to be abandoned (see Intel Low Pin Count Specification, Section 6.3). **Note:** The LPC47N252 implements support for the ACT bit.

Following the ACT bit, the peripheral must deassert the LDRQ# signal (high) for at least 1 clock. After that, the LDRQ# signal can be brought back low to start the next encoding (for another channel).

Peripherals do not have to wait for the CHANNEL field to deassert LDRQ# to begin encoding for another channel. This allows additional DMA requests to be indicated, even if the first one has not yet been acknowledged.

Using the LDRQ# encoding to request a transfer for a particular channel should not be attempted if one is still pending for that channel. Therefore, to encode another LDRQ# for the same channel, the part must wait 8 LCLKs after it sends a SYNC encoding of 0000 for that channel. However, using a SYNC value of 1001 replaces the LDRQ# encoding for the same channel. Therefore, the only time that it is necessary to send another LDRQ# is if a SYNC of 0000 is used.

To attempt to abandon a previously requested DMA transfer, the peripheral sends an encoding on LDRQ# for that channel, but with the ACT bit set to 0 (see the Intel Low Pin Count Specification, Section 6.3 for a description of abandoning DMA requests).

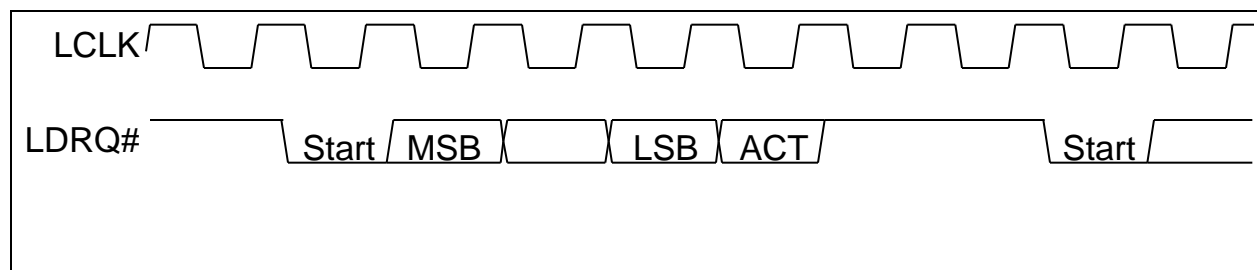


FIGURE 6 - LDRQ# ENCODING

4.1.7.1 DMA Acknowledge

The DMA acknowledgment consists of the host driving the CHANNEL field onto the LAD[3:0] signals.

For single mode DMA transfers, after the peripheral has waited 8 LCLKs after sending a SYNC encoding of 0000 for a particular DMA channel, it can start encoding the next request for that same channel. Requests for other channels can start at any time.

For demand mode transfers, once the peripheral has used LDRQ# to encode a request for a particular DMA channel to be active, it may not encode another active request for that channel until it has waited 8 LCLKs after it has sent the 0000 encoding for SYNC to indicate no more data transfers are needed for that particular demand mode transfer for that channel.

4.1.7.2 Terminal Count

Terminal count is communicated through LAD[3] on the same clock that the DMA channel is communicated on LAD[2:0] in the CHANNEL field. Terminal count indicates the last byte of transfer, based upon the size of the transfer.

4.1.7.3 LDRQ# and SYNC Protocol

DMA transfers are requested through an LDRQ# assertion and ended through a SYNC field.

Anytime a peripheral has a DMA channel that needs service, it encodes the channel number on the LDRQ# signal. There is no restriction of having to wait until the CHANNEL field is observed before encoding the next request. The following restrictions on LDRQ# encoding are:

The LDRQ# signal must be inactive for at least 1 clock before starting the next encoding.

An LDRQ# encoding to request a transfer for a particular channel should not be attempted if one is still pending for that channel.

For single mode DMA transfers:

The peripheral will use a sync encoding of 0000 to indicate that the data is valid. No data is permitted after the first byte (for channels 0-3) or word (for channels 5-7) since it is a single transfer.

After the peripheral has observed the CHANNEL field for a particular DMA channel, it can start encoding the next request for that same channel, Requests for other channels can start at any time.

For demand mode DMA transfers:

The peripheral will use a SYNC encoding of 1001 to indicate additional transfers required. This is functionally equivalent to (and replaces) sending another LDRQ encoding for that channel.

The 0000 encoding is used to indicate that the data is valid but it is the last data transfer associated with that demand mode transfer. For example, on the 8th byte in a transfer (which clears a FIFO), the peripheral uses the 0000 encoding for SYNC. On the 1st through the 7th bytes, it uses 1001 for SYNC.

Once the peripheral has used LDRQ# to encode a request for a particular DMA channel to be active, it may not encode another active request for that channel until it has sent the 0000 encoding for SYNC to indicate no more data transfers are needed for that particular demand mode transfer for that channel.

Note: In 8-bit demand mode, even though the SYNC encoding used is 1001, the next cycle that comes down to the peripheral may not be a DMA cycle, it can be an I/O cycle (see the Intel Low Pin Count Specification, Section 6.4.3 for a description of DMA request deassertion).

For back-to-back transfers from a DMA channel, the following rule applies: The peripheral must not assert another message for 8 LCLKs after a deassertion is indicated through the SYNC field. This applies to transfers on the same DMA channel.

4.1.7.4 Flushing The FIFO

The LPC47N252 autonomously clears the DMA FIFO under the following conditions:

FDC: Flush at the end of a sector.

Parallel Port: Flush if no data for 2 μ s.

Fast IR: Flush at end of frame.

4.1.7.5 DMA Arbitration

The peripheral does not have to arbitrate internally, even though it supports more than one DMA channel. When more than one device requests service, send one request out, then the other.

Arbitration for DMA channels is performed through the 8237 within the host. Once the host has won arbitration on behalf of a DMA channel, it asserts LFRAME# on the LPC bus and begins the DMA transfer.

4.1.7.6 DMA Transfer Types

The DMA protocol is used for all DMA transfer types, including single transfer mode, demand mode and verify mode.

For demand mode, the serialized requests will be back-to-back. For verify mode transfers, the peripheral should drive data during the appropriate clocks; however, the host may ignore the values.

A verify transfer is similar to a DMA write, where the peripheral is transferring data to main memory. The indication from the host is the same as a DMA write, so the peripheral will be driving data onto the LPC interface. However, the host will not transfer this data into main memory. The LPC interface also supports increment mode.

The LPC interface does not support DMA channels being used on cascade mode (for emulating ISA masters). The LPC interface does not support clock or decrement mode.

Channels 0-3 are 8 bit channels. Channels 5-7 are 16 bit channels (16 bit DMA channels are not supported in the LPC47N252).

4.1.8 SYNC PROTOCOL

See the Intel Low Pin Count Specification Section 4.2.1.8 for a table of valid SYNC values.

4.1.8.1 Typical SYNC Usage

The SYNC pattern is used to add wait states. For read cycles, the peripheral must immediately drive the SYNC pattern upon recognizing the cycle. The host immediately drives the sync pattern for write cycles. If the peripheral needs to assert wait states, it does so by driving 0101 or 0110 on LAD[3:0] until it is ready, at which point it will drive 0000 or 1001. On any particular access, the peripheral must choose to assert 0101 or 0110, but not switch between the two patterns.

The data will immediately follow the 0000 or 1001 value. If no wait states are needed, the peripheral can just drive 0000 or 1001 followed by the data. Because the SYNC pattern of 0000 or 1001 is always required, there is effectively a minimum of 1 wait state for accesses.

The SYNC value of 0101 is used for normal wait states, wherein the cycle will complete within a few clocks.

The SYNC value of 0110 is used where the number of wait states is large. This is used for EPP cycles, where the number of wait states could be quite large (>1 microsecond).

The SYNC value must be driven within 3 clocks.

4.1.8.2 SYNC Timeout

The SYNC value must be driven within 3 clocks. If the host observes 3 consecutive clocks without a valid SYNC pattern, it will abort the cycle. The peripheral must not assume any particular timeout. When the host is driving SYNC, it may have to insert a very large number of wait states, depending on PCI latencies and retries.

4.1.8.3 Sync Patterns and Maximum Number of Syncs

If the SYNC pattern is 0101, then the host assumes that the maximum number of SYNCs is 8.

If the SYNC pattern is 0110, then no maximum number of SYNCs is assumed. The peripheral must have protection mechanisms to complete the cycle. This should only be used for EPP data transfers and should utilize the same timeout protection that is in EPP.

4.1.8.4 Sync Error Indication

The peripheral reports errors via the LAD[3:0] = 1010 SYNC encoding.

If the host was reading data from the peripheral, data will still be transferred in the next two nibbles. This data may be invalid, but it must be transferred by the peripheral. If the host was writing data to the peripheral, the data had already been transferred.

In the case of multiple byte cycles, such as memory and DMA cycles, an error SYNC terminates the cycle. Therefore, if the host is transferring 4 bytes from a device, if the device returns the error SYNC in the first byte, the other three bytes will not be transferred.

4.1.9 I/O AND DMA START FIELDS

I/O and DMA cycles use a START field of 0000.

4.1.10 RESET POLICY

The following rules govern the reset policy:

When LRESET# goes inactive (high), the clock is assumed to have been running for 100usec prior to the removal of the reset signal, so that everything is stable. This is the same reset active time after clock is stable that is used for the PCI bus.

When LRESET# goes active (low):

the host drives the LFRAME# signal high, tristates the LAD[3:0] signals, and ignores the LDRQ# signal.

the peripheral must ignore LFRAME#, tristate the LAD[3:0] pins and drive the LDRQ# signal inactive (high).

4.1.11 ELECTRICAL SPECIFICATIONS

The LPC interface uses 3.3V signaling. No output from the peripheral may drive higher than 3.3V nominal. See Intel Low Pin Count Specification, Section 10.

4.1.12 WAIT STATE REQUIREMENTS

4.1.12.1 I/O Transfers

For I/O transfers in which long indeterminate wait states are required (i.e., EPP or IrCC transfers) the sync pattern of 0110 is used and a large number of syncs may be inserted (up to 330 which corresponds to a timeout of 10us).

Note: Wait states are required for all I/O transfers. Three wait states are required for an I/O read and two wait states are required for an I/O write. A SYNC of 0110 is used for all I/O transfers.

4.1.12.2 DMA Transfers

Note: Wait states are required for all DMA transfers. Three wait states are required for a DMA read and four wait states are required for a DMA write. A SYNC of 0101 is used for all DMA transfers.

4.1.13 LPC TRANSFER SEQUENCE EXAMPLES

4.1.13.1 I/O Cycles

4.1.13.1.1 EXAMPLE 1: I/O Read, No Wait States

The I/O transfer is initiated when the host asserts LFRAME# for one or more clocks and drives a start value onto the LAD[3:0] signals. The following sequence of fields is encoded onto the LAD[3:0] signals as the transfer proceeds (Table 8):

Table 8 - Example 1: I/O Read, No Wait States

FIELD	DRIVEN BY	CLOCKS	LAD[3:0]	COMMENT
START	Host	1	0000	LAD[3:0]=0000
CYCTYP+DIR	Host	1	000x	LAD[3:2]=00 (I/O cycle), LAD[1]=0 (read)
ADDR	Host	1	xxxx	Most significant nibble
ADDR	Host	1	xxxx	
ADDR	Host	1	xxxx	
ADDR	Host	1	xxxx	Least significant nibble
TAR	Host	1	1111	Host drives LAD[3:0] high in 1st half
TAR	Special	1	1111	Not driven
Sync	Peripheral	1	0000	Sync=0000 (Sync achieved with no error) ^{Note 1}
Data	Peripheral	1	xxxx	First nibble of byte
Data	Peripheral	1	xxxx	Second nibble of byte
TAR	Peripheral	1	1111	Peripheral drives LAD[3:0] high in 1st half
TAR	Special	1	1111	Not driven

Note: The actual implementation requires that three wait states (SYNC=0110) precede the SYNC of 0000.

4.1.13.1.2 EXAMPLE 2: I/O Read, Many Wait States

The I/O transfer is initiated when the host asserts LFRAME# for one or more clocks and drives a start value onto the LAD[3:0] signals. The following sequence of fields is encoded onto the LAD[3:0] signals as the transfer proceeds (Table 9):

Table 9 - Example 2: I/O Read, Many Wait States

FIELD	DRIVEN BY	CLOCKS	LAD[3:0]	COMMENT
START	Host	1	0000	LAD[3:0]=0000
CYCTYP+DIR	Host	1	000x	LAD[3:2]=00 (I/O cycle), LAD[1]=0 (read)
ADDR	Host	1	xxxx	Most significant nibble
ADDR	Host	1	xxxx	
ADDR	Host	1	xxxx	
ADDR	Host	1	xxxx	Least significant nibble
TAR	Host	1	1111	Host drives LAD[3:0] high in 1st half
TAR	Special	1	1111	Not driven
Sync	Peripheral	1	0110	Sync=0110 (Sync not achieved yet)
.				
.				
.				
Sync	Peripheral	1	0110	Sync=0110 (Sync not achieved yet)
Sync	Peripheral	1	0000	Sync=0000 (Sync achieved with no error)
Data	Peripheral	1	xxxx	First nibble of byte
Data	Peripheral	1	xxxx	Second nibble of byte
TAR	Peripheral	1	1111	Peripheral drives LAD[3:0] high in 1st half
TAR	Special	1	1111	Not driven

4.1.13.1.3 EXAMPLE 3: I/O Write, No Wait States

The I/O transfer is initiated when the host asserts LFRAME# for one or more clocks and drives a start value onto the LAD[3:0] signals. The following sequence of fields is encoded onto the LAD[3:0] signals as the transfer proceeds (Table 10):

Table 10 - Example 3: I/O Write, No Wait States

FIELD	DRIVEN BY	CLOCKS	LAD[3:0]	COMMENT
START	Host	1	0000	LAD[3:0]=0000
CYCTYP+DIR	Host	1	001x	LAD[3:2]=00 (I/O cycle), LAD[1]=1 (write)

FIELD	DRIVEN BY	CLOCKS	LAD[3:0]	COMMENT
ADDR	Host	1	xxxx	Most significant nibble
ADDR	Host	1	xxxx	
ADDR	Host	1	xxxx	
ADDR	Host	1	xxxx	Least significant nibble
Data	Host	1	xxxx	First nibble of byte
Data	Host	1	xxxx	Second nibble of byte
TAR	Host	1	1111	Host drives LAD[3:0] high in 1st half
TAR	Special	1	1111	Not driven
Sync	Peripheral	1	0000	Sync=0000 (Sync achieved with no error) ^{Note 2}
TAR	Peripheral	1	1111	Peripheral drives LAD[3:0] high in 1st half
TAR	Special	1	1111	Not driven

Note: The actual implementation requires that two wait states (SYNC=0110) precede the SYNC of 0000.

4.1.13.2 DMA Cycles

4.1.13.2.1 EXAMPLE 4: 3-Byte DMA Write, 8-bit transfers (Data from peripheral to main memory - I/O read, memory write)

The DMA transfer begins when the peripheral encodes the following bit sequence onto the LDRQ# signal (Table 11):

Table 11 - Example 4: 3-Byte DMA Write LDRQ# Encoding

BIT	DRIVEN BY	CLOCKS	COMMENT
Start	Peripheral	1	Start bit = 0
DMA Ch# (MSB)	Peripheral	1	Channel 0-3 for 8-bit transfers
DMA Ch#	Peripheral	1	
DMA Ch# (LSB)	Peripheral	1	
ACT	Peripheral	1	ACT = 1 (DMA Channel Active)
1 (deassert)	Peripheral	1	Following this clock, the peripheral can encode an LDRQ# sequence for another channel# ^(note)

Note: Peripheral deasserts LDRQ# for this channel for 8 clocks after it issues a SYNC of 0000.

The transfer continues when the host asserts LFRAME# for one or more clocks and drives a start value onto the LAD[3:0] signals. The following sequence of fields is encoded onto the LAD[3:0] signals as the transfer proceeds (Table 12):

Table 12 - Example 4 (Continued): LAD[3:0] Encoding

FIELD	DRIVEN BY	CLOCKS	LAD[3:0]	COMMENT
START	Host	1	0000	LAD[3:0]=0000 - First Byte -
CYCTYP+DIR	Host	1	101x	LAD[3:2]=10 (DMA), LAD[1]=1 (write)
CHANNEL	Host	1	0xxx	LAD[3]=0, LAD[2:0] = Ch # (acts as DMA Ack)
SIZE	Host	1	xx00	LAD[1:0]=00 (8-bit)
TAR	Host	1	1111	Host drives LAD[3:0] high in 1st half
TAR	Special	1	1111	Not driven
Sync	Peripheral	1	1001	Sync=1001 (more transfers req'd) ^{Note 3}
Data	Peripheral	1	xxxx	First nibble of first byte
Data	Peripheral	1	xxxx	Second nibble of first byte
TAR	Peripheral	1	1111	Peripheral drives LAD[3:0] high in 1st half
TAR	Special	1	1111	Not driven
The cycles below may not immediately follow. (Note 4)				
START	Host	1	0000	LAD[3:0]=0000 - Second Byte -
CYCTYP+DIR	Host	1	101x	LAD[3:2]=10 (DMA), LAD[1]=1 (write)
CHANNEL	Host	1	0xxx	LAD[3]=0, LAD[2:0] = Ch # (acts as DMA Ack)
SIZE	Host	1	xx00	LAD[1:0]=00 (8-bit)

FIELD	DRIVEN BY	CLOCKS	LAD[3:0]	COMMENT
TAR	Host	1	1111	Host drives LAD[3:0] high in 1st half
TAR	Special	1	1111	Not driven
Sync	Peripheral	1	1001	Sync=1001 (more transfers req'd) ^{Note 3}
Data	Peripheral	1	xxxx	First nibble of second byte
Data	Peripheral	1	xxxx	Second nibble of second byte
TAR	Peripheral	1	1111	Peripheral drives LAD[3:0] high in 1st half
TAR	Special	1	1111	Not driven
The cycles below may not immediately follow. (Note 4)				
START	Host	1	0000	LAD[3:0]=0000 - <i>Third Byte</i> -
CYCTYP+DIR	Host	1	101x	LAD[3:2]=10 (DMA), LAD[1]=1 (write)
CHANNEL	Host	1	1xxx	LAD[3]=1 = TC (last byte of transfer), LAD[2:0] = Ch #
SIZE	Host	1	xx00	LAD[1:0]=00 (8-bit)
TAR	Host	1	1111	Host drives LAD[3:0] high in 1st half
TAR	Special	1	1111	Not driven
Sync	Peripheral	1	0000	Sync=0000 (no more transfers req'd) ^{Note 3}
Data	Peripheral	1	xxxx	First nibble of third byte
Data	Peripheral	1	xxxx	Second nibble of third byte
TAR	Peripheral	1	1111	Peripheral drives LAD[3:0] high in 1st half
TAR	Special	1	1111	Not driven

Note 3: The actual implementation requires that four wait states (SYNC=0101) precede this SYNC.

Note 4: These DMA cycles can be interspersed with I/O cycles, memory cycles or other DMA cycles.

4.1.13.2.2 EXAMPLE 5: 3 Byte DMA Read, 8-bit transfers (Data from main memory to peripheral - memory read, I/O write)

The DMA transfer begins when the peripheral encodes the following bit sequence onto the LDRQ# signal (**Table 13**):

Table 13 - Example 5: 3-Byte DMA Read LDRQ# Encoding

BIT	DRIVEN BY	CLOCKS	COMMENT
Start	Peripheral	1	Start bit = 0
DMA Ch# (MSB)	Peripheral	1	Channel 0-3 for 8-bit transfers
DMA Ch# (MB)	Peripheral	1	
DMA Ch# (LSB)	Peripheral	1	
ACT	Peripheral	1	ACT = 1 (DMA Channel Active)
1 (deassert)	Peripheral	1	Following this clock, the peripheral can encode an LDRQ# sequence for another channel#

The transfer continues when the host asserts LFRAME# for one or more clocks and drives a start value onto the LAD[3:0] signals. The following sequence of fields is encoded onto the LAD[3:0] signals as the transfer proceeds (**Table 14**):

Table 14 - Example 5 (Continued) LAD[3:0] Encoding

FIELD	DRIVEN BY	CLOCKS	LAD[3:0]	COMMENT
START	Host	1	0000	LAD[3:0]=0000 - <i>First Byte</i> -
CYCTYP+DIR	Host	1	100x	LAD[3:2]=10 (DMA), LAD[1:0]=0 (read)
CHANNEL	Host	1	0xxx	LAD[3]=0, LAD[2:0] = Ch # (acts as DMA Ack)
SIZE	Host	1	xx00	LAD[1:0]=00 (8-bit)
Data	Host	1	xxxx	First nibble of first byte
Data	Host	1	xxxx	Second nibble of first byte
TAR	Host	1	1111	Host drives LAD[3:0] high in 1st half
TAR	Special	1	1111	Not Driven
SYNC	Peripheral	1	1001	Sync=1001 (more transfers req'd) ^{Note 5}
TAR	Peripheral	1	1111	Peripheral drives LAD[3:0] high in 1st half

FIELD	DRIVEN BY	CLOCKS	LAD[3:0]	COMMENT
TAR	Special	1	1111	Not driven
The cycles below may not immediately follow. (Note 4)				
START	Host	1	0000	LAD[3:0]=0000 - <i>Second Byte</i> -
CYCTYP+DIR	Host	1	100x	LAD[3:2]=10 (DMA), LAD[1:0]=0 (read)
CHANNEL	Host	1	0xxx	LAD[3]=0, LAD[2:0] = Ch # (acts as DMA Ack)
SIZE	Host	1	xx00	LAD[1:0]=00 (8-bit)
Data	Host	1	xxxx	First nibble of second byte
Data	Host	1	xxxx	Second nibble of second byte
TAR	Host	1	1111	Host drives LAD[3:0] high in 1st half
TAR	Special	1	1111	Not Driven
SYNC	Peripheral	1	1001	Sync=1001 (more transfers req'd) ^{Note 5}
TAR	Peripheral	1	1111	Peripheral drives LAD[3:0] high in 1st half
TAR	Special	1	1111	Not driven
The cycles below may not immediately follow. (Note 4)				
START	Host	1	0000	LAD[3:0]=0000 - <i>Third Byte</i> -
CYCTYP+DIR	Host	1	100x	LAD[3:2]=10 (DMA), LAD[1:0]=0 (read)
CHANNEL	Host	1	1xxx	LAD[3]=1 = TC (last byte of transfer), LAD[2:0] = Ch #
SIZE	Host	1	xx00	LAD[1:0]=00 (8-bit)
Data	Host	1	xxxx	First nibble of third byte
Data	Host	1	xxxx	Second nibble of third byte
TAR	Host	1	1111	Host drives LAD[3:0] high in 1st half
TAR	Special	1	1111	Not Driven
SYNC	Peripheral	1	0000	Sync=0000 (no more transfers req'd) ^{Note 5}
TAR	Peripheral	1	1111	Peripheral drives LAD[3:0] high in 1st half
TAR	Special	1	1111	Not Driven

Note 4: These DMA cycles can be interspersed with I/O cycles, memory cycles or other DMA cycles

Note 5: The actual implementation requires that three wait states (SYNC=0101) precede this SYNC.

4.1.13.2.3 EXAMPLE 6: 6 Byte DMA Write, 16-bit transfers (Data from peripheral to main memory - memory read, I/O write)

The DMA transfer begins when the peripheral encodes the following bit sequence onto the LDRQ# signal (Table 15):

Table 15 - Example 6: 6-Byte DMA Write LDRQ# Encoding

BIT	DRIVEN BY	CLOCKS	COMMENT
Start	Peripheral	1	Start bit = 0
DMA Ch# (MSB)	Peripheral	1	Channel 5-7 for 16-bit transfers
DMA Ch# (MB)	Peripheral	1	
DMA Ch# (LSB)	Peripheral	1	
ACT	Peripheral	1	ACT = 1 (DMA Channel Active)
1 (deassert)	Peripheral	1	Following this clock, the peripheral can encode an LDRQ# sequence for another channel#

The transfer continues when the host asserts LFRAME# for one or more clocks and drives a start value onto the LAD[3:0] signals. The following sequence of fields is encoded onto the LAD[3:0] signals as the transfer proceeds (Table 16):

Table 16 - Example 6 (Continued) LAD[3:0] Encoding

FIELD	DRIVEN BY	CLOCKS	LAD[3:0]	COMMENT
START	Host	1	0000	LAD[3:0]=0000 - <i>First Word</i> -
CYCTYP+DIR	Host	1	101x	LAD[3:2]=10 (DMA), LAD[1]=1 (write)
CHANNEL	Host	1	0xxx	LAD[3]=0, LAD[2:0] = Ch # (acts as DMA Ack)
SIZE	Host	1	xx01	LAD[1:0]=01 (16-bit)

FIELD	DRIVEN BY	CLOCKS	LAD[3:0]	COMMENT
TAR	Host	1	1111	Host drives LAD[3:0] high in 1st half
TAR	Special	1	1111	Not driven
Sync	Peripheral	1	1001	Sync=1001 (more transfers req'd)
Data	Peripheral	1	xxxx	First nibble of first byte of first word
Data	Peripheral	1	xxxx	Second nibble of first byte of first word
Sync	Peripheral	1	1001	Sync=1001 (more transfers req'd)
Data	Peripheral	1	xxxx	First nibble of second byte of first word
Data	Peripheral	1	xxxx	Second nibble of second byte of first word
TAR	Peripheral	1	1111	Peripheral drives LAD[3:0] high in 1st half
TAR	Special	1	1111	Not driven
The cycles below may not immediately follow. (Note 4)				
START	Host	1	0000	LAD[3:0]=0000 - <i>Second Word</i> -
CYCTYP+DIR	Host	1	101x	LAD[3:2]=10 (DMA), LAD[1]=1 (write)
CHANNEL	Host	1	0xxx	LAD[3]=0, LAD[2:0] = Ch # (acts as DMA Ack)
SIZE	Host	1	xx01	LAD[1:0]=01 (16-bit)
TAR	Host	1	1111	Host drives LAD[3:0] high in 1st half
TAR	Special	1	1111	Not driven
Sync	Peripheral	1	1001	Sync=1001 (more transfers req'd)
Data	Peripheral	1	xxxx	First nibble of first byte of second word
Data	Peripheral	1	xxxx	Second nibble of first byte of second word
Sync	Peripheral	1	1001	Sync=1001 (more transfers req'd)
Data	Peripheral	1	xxxx	First nibble of second byte of second word
Data	Peripheral	1	xxxx	Second nibble of second byte of second word
TAR	Peripheral	1	1111	Peripheral drives LAD[3:0] high in 1st half
TAR	Special	1	1111	Not driven
The cycles below may not immediately follow. (Note 4)				
START	Host	1	0000	LAD[3:0]=0000 - <i>Third Word</i> -
CYCTYP+DIR	Host	1	1000	LAD[3:2]=10 (DMA), LAD[1]=1 (write)
CHANNEL	Host	1	1xxx	LAD[3]=1 = TC (second byte transferred is the last one) LAD[2:0] = Ch #
SIZE	Host	1	xx01	LAD[1:0]=01 (16-bit)
TAR	Host	1	1111	Host drives LAD[3:0] high in 1st half
TAR	Special	1	1111	Not driven
Sync	Peripheral	1	1001	Sync=1001 (more transfers req'd)
Data	Peripheral	1	xxxx	First nibble of first byte of third word
Data	Peripheral	1	xxxx	Second nibble of first byte of third word
Sync	Peripheral	1	0000	Sync=0000 (no more transfers req'd)
Data	Peripheral	1	xxxx	First nibble of second byte of third word
Data	Peripheral	1	xxxx	Second nibble of second byte of third word
TAR	Peripheral	1	1111	Peripheral drives LAD[3:0] high in 1st half
TAR	Special	1	1111	Not driven

Note 4: These DMA cycles can be interspersed with I/O cycles, memory cycles or other DMA cycles.

4.1.14 LPC POWER MANAGEMENT

The LPCPD# signal (see the Intel Low Pin Count Specification, Section 8.1) and the nCLKRUN signal (see the Intel Low Pin Count Specification, Section 8.2) are implemented in the LPC47N252. The LPC47N252 must tolerate the LPCPD# signal going active and then inactive again without LRESET# going active. This is a requirement for notebook power management functions.

The LPC Bus spec 1.0 section 8.2 states that "After LPCPD# goes back inactive, the LPC I/F will always be reset using LRST#". This text must be qualified for mobile systems where it is possible that when exiting a "light" sleep

state (ACPI S1, APM POS), LPCPD# may be asserted but the LPC Bus power may not be removed, in which case LRESET# will not occur. When exiting a "deeper" sleep state (ACPI S3-S5, APM STR, STD, soft-off), LRESET# will occur.

The LPCPD# pin is implemented as a "local" powergood for the LPC bus in the LPC47N252. It is not to be used as a global powergood for the chip. It is used to minimize the LPC power dissipation. It should be used to reset the LPC block and hold it in reset.

Prior to going to a low-power state, the system asserts the LPCPD# signal. LPCPD# goes active at least 30 microseconds prior to the LCLK signal stopping low and power being shut to the other LPC interface signals. Upon recognizing LPCPD# active, there are no further transactions on the LPC interface. The LPC47N252 drives the LDRQ# signal low or tri-state, and does so until LPCPD# goes active. This prevents The LPC47N252 from driving the signals high into a potentially powered-down host.

Upon recognizing LPCPD# inactive, The LPC47N252 drives LDRQ# high.

5 FLOPPY DISK CONTROLLER

The Floppy Disk Controller (FDC) provides the interface between a host microprocessor and the Floppy Disk Drives (FDD). The FDC integrates the functions of the formatter/controller, Digital Data Separator, Write Precompensation and data rate Selection logic for an IBM XT/AT compatible FDC. The true CMOS 765B core guarantees 100% IBM PC XT/AT compatibility in addition to providing data overflow and underflow protection.

The FDC is compatible to the 82077AA using SMSC's proprietary FDC core.

FDC INTERNAL REGISTERS

The FDC contains eight internal registers, which facilitate the interfacing between the host microprocessor and the disk drive. Table 17 shows the addresses required to access these registers. Registers other than the ones shown are not supported.

Table 17 - Status, Data And Control Registers

FDC PRIMARY BASE I/O ADDRESS OFFSET	PRIMARY ADDRESS	R/W	REGISTER
0	3F0	R	Status Register A (SRA)
1	3F1	R	Status Register B (SRB)
2	3F2	R/W	Digital Output Register (DOR)
3	3F3	R/W	Tape Drive Register (TDR)
4	3F4	R	Main Status Register (MSR)
4	3F4	W	Data Rate Select Register (DSR)
5	3F5	R/W	Data (FIFO)
6	3F6		Reserved
7	3F7	R	Digital Input Register (DIR)
7	3F7	W	Configuration Control Register (CCR)

STATUS REGISTER A (SRA)

FDC I/O Base Address + 0x00 (READ ONLY)

This register is read-only and monitors the state of the internal FDC interrupt signal and several disk interface pins in PS/2 and Model 30 modes. The SRA can be accessed at any time when in PS/2 mode. In the PC/AT mode the data bus pins D0 - D7 are held in a high impedance state for a read of SRA.

Table 18 - SRA-PS/2 Mode

	7	6	5	4	3	2	1	0
	INT PENDING	nDRV2	STEP	nTRK0	HDSEL	nINDX	nWP	DIR
RESET COND.	0	N/A	0	N/A	0	N/A	N/A	0

BIT 0 DIRECTION

Active high status indicating the direction of head movement. A logic "1" indicates inward direction; a logic "0" indicates outward direction.

BIT 1 nWRITE PROTECT

Active low status of the WRITE PROTECT disk interface input. A logic "0" indicates that the disk is write protected.

BIT 2 nINDEX

Active low status of the INDEX disk interface input.

BIT 3 HEAD SELECT

Active high status of the HDSEL disk interface input. A logic "1" selects side 1 and a logic "0" selects side 0.

BIT 4 nTRACK 0

Active low status of the TRK0 disk interface input.

BIT 5 STEP

Active high status of the STEP output disk interface output pin.

BIT 6 nDRV2

Active low status of the DRV2 disk interface input pin, indicating that a second drive has been installed.

BIT 7 INTERRUPT PENDING

Active high bit indicating the state of the internal Floppy Disk Interrupt asserted.

Table 19 - SRA-PS/2 Model 30 Mode

	7	6	5	4	3	2	1	0
	INT PENDING	DRQ	STEP F/F	TRK0	NHDSEL	INDX	WP	nDIR
RESET COND.	0	0	0	N/A	1	N/A	N/A	1

BIT 0 nDIRECTION

Active low status indicating the direction of head movement. A logic "0" indicates inward direction; a logic "1" indicates outward direction.

BIT 1 WRITE PROTECT

Active high status of the WRITE PROTECT disk interface input. A logic "1" indicates that the disk is write protected.

BIT 2 INDEX

Active high status of the INDEX disk interface input.

BIT 3 nHEAD SELECT

Active low status of the HDSEL disk interface input. A logic "0" selects side 1 and a logic "1" selects side 0.

BIT 4 TRACK 0

Active high status of the TRK0 disk interface input.

BIT 5 STEP

Active high status of the latched STEP disk interface output pin. This bit is latched with the STEP output going active, and is cleared with a read from the DIR register, or with a hardware or software reset.

BIT 6 DMA REQUEST

Active high status of the DMA request pending.

BIT 7 INTERRUPT PENDING

Active high bit indicating the state of the Floppy Disk Interrupt.

STATUS REGISTER B (SRB)**Floppy Disk Controller Base Address + 0x01 (READ ONLY)**

This register is read-only and monitors the state of several disk interface pins in PS/2 and Model 30 modes. The SRB can be accessed at any time when in PS/2 mode. In the PC/AT mode the data bus pins D0 - D7 are held in a high impedance state for a read of SRB.

Table 20 - FDC SRB-PS/2 Mode

	7	6	5	4	3	2	1	0
	1	1	DRIVE SEL0	WDATA TOGGLE	RDATA TOGGLE	WGATE	MOT EN1	MOT EN0
RESET COND.	1	1	0	0	0	0	0	0

BIT 0 MOTOR ENABLE 0

Active high status of the MTR0 disk interface output pin. This bit is low after a hardware reset and unaffected by a software reset.

BIT 1 MOTOR ENABLE 1

Active high status of the MTR1 disk interface output pin. This bit is low after a hardware reset and unaffected by a software reset.

BIT 2 WRITE GATE

Active high status of the WGATE disk interface output.

BIT 3 READ DATA TOGGLE

Every inactive edge of the RDATA input causes this bit to change state.

BIT 4 WRITE DATA TOGGLE

Every inactive edge of the WDATA output causes this bit to change state.

BIT 5 DRIVE SELECT 0

Reflects the status of the Drive Select 0 bit of the DOR (address 3F2 bit 0). This bit is cleared after a hardware reset and it is unaffected by a software reset.

BIT 6 RESERVED

Always read as a logic "1".

BIT 7 RESERVED

Always read as a logic "1".

Table 21 - FDC SRB-PS/2 Model 30 Mode

	7	6	5	4	3	2	1	0
	nDRV2	nDS1	nDS0	WDATA F/F	RDATA F/F	WGATE F/F	nDS3	nDS2
RESET COND.	N/A	1	1	0	0	0	1	1

BIT 0 nDRIVE SELECT 2

Active low status of the DS2 disk interface output.

BIT 1 nDRIVE SELECT 3

Active low status of the DS3 disk interface output.

BIT 2 WRITE GATE

Active high status of the latched WGATE output signal. This bit is latched by the active going edge of WGATE and is cleared by the read of the DIR register.

BIT 3 READ DATA

Active high status of the latched RDATA input signal. This bit is latched by the inactive going edge of RDATA and is cleared by the read of the DIR register.

BIT 4 WRITE DATA

Active high status of the latched WDATA output signal. This bit is latched by the inactive going edge of WDATA and is cleared by the read of the DIR register. This bit is not gated with WGATE.

BIT 5 nDRIVE SELECT 0

Active low status of the DS0 disk interface output.

BIT 6 nDRIVE SELECT 1

Active low status of the DS1 disk interface output.

BIT 7 nDRV2

Active low status of the DRV2 disk interface input.

DIGITAL OUTPUT REGISTER (DOR)**FDC I/O Base Address + 0x02 (READ/WRITE)**

The DOR controls the drive select and motor enables of the disk interface outputs. It also contains the enable for the DMA logic and a software reset bit. The contents of the DOR are unaffected by a software reset. The DOR can be written to at any time.

Table 22 - FDC DOR

	7	6	5	4	3	2	1	0
	MOT EN3	MOT EN2	MOT EN1	MOT EN0	DMAEN	nRESET	DRIVE SEL1	DRIVE SEL0
RESET COND.	0	0	0	0	0	0	0	0

BIT 0 and 1 DRIVE SELECT

These two bits are binary encoded for the two drive selects output pins nds0 and nds1, thereby allowing only one drive to be selected at one time.

BIT 2 nRESET

A logic "0" written to this bit resets the FDC. This reset will remain active until a logic "1" is written to this bit. This software reset does not affect the DSR and CCR registers, nor does it affect the other bits of the DOR register. The minimum reset duration required is 100ns, therefore toggling this bit by consecutive writes to this register is a valid method of issuing a software reset.

BIT 3 DMAEN

PC/AT and Model 30 Mode: Writing this bit to logic "1" will enable the FDC's DMA and interrupt functions. This bit being a logic "0" will disable the FDC's DMA and interrupt functions. This bit is a logic "0" after a reset.

PS/2 Mode: In this mode the FDC's DMA and interrupt functions are always enabled. During a reset this bit will be cleared to a logic "0".

BIT 4 MOTOR ENABLE 0

This bit controls the disk interface output. A logic "1" in this bit will cause the output pin to assert.

BIT 5 MOTOR ENABLE 1

This bit controls the nMTR1 disk interface output. A logic "1" in this bit will cause the output pin to assert.

BIT 6 MOTOR ENABLE 2

This bit controls the nMTR2 disk interface output. A logic "1" in this bit will cause the output pin to assert.

BIT 7 MOTOR ENABLE 3

This bit controls the nMTR3 disk interface output. A logic "1" in this bit will cause the output pin to assert.

Table 23 – FDC Drive Activation Values

DRIVE	DOR VALUE
0	1CH
1	2DH

Table 24 - FDC Internal 2 Drive Decode-Normal

DIGITAL OUTPUT REGISTER						DRIVE SELECT OUTPUTS (ACTIVE LOW)		MOTOR ON OUTPUTS (ACTIVE LOW)	
Bit 7	Bit 6	Bit 5	Bit 4	Bit1	Bit 0	nDS1	nDS0	nMTR1	nMTR0
X	X	X	1	0	0	1	0	nBIT 5	nBIT 4
X	X	1	X	0	1	0	1	nBIT 5	nBIT 4
X	1	X	X	1	0	1	1	nBIT 5	nBIT 4
1	X	X	X	1	1	1	1	nBIT 5	nBIT 4
0	0	0	0	X	X	1	1	nBIT 5	nBIT 4

Table 25 - FDC Internal 2 Drive Decode-Drives 0 And 1 Swapped

DIGITAL OUTPUT REGISTER						DRIVE SELECT OUTPUTS (ACTIVE LOW)		MOTOR ON OUTPUTS (ACTIVE LOW)	
X	X	X	1	0	0	0	1	nBIT 4	nBIT 5
X	X	1	X	0	1	1	0	nBIT 4	nBIT 5
X	1	X	X	1	0	1	1	nBIT 4	nBIT 5
1	X	X	X	1	1	1	1	nBIT 4	nBIT 5
0	0	0	0	X	X	1	1	nBIT 4	nBIT 5

TAPE DRIVE REGISTER (TDR)

FDC I/O Base Address + 0x03 (READ/WRITE)

This register is included for 82077 software compatibility. The TDR is unaffected by a software reset. The improved data separator incorporates tape drive support and requires the Tape Select bits in the FDC Tape Drive register to identify which drive has been assigned to receive this support (see the following section).

Normal Floppy Mode

Normal mode. The TDR allows the user to assign tape support to a particular drive during initialization. Any future references to that drive number automatically invokes tape support. The Tape Select bits are TDR[1:0]. The TDR Register contains only bits 0 and 1. When this register is read, bits 2 – 7 are '0'.

Table 26 - FDC TDR Normal Floppy Mode

	DB7	DB6	DB5	DB4	DB3	DB2	DB1	DB0
REG 3F3	0	0	0	0	0	0	tape sel 1	tape sel 0

TAPE SEL1 (TDR.1)	TAPE SEL2 (TDR.0)	DRIVE SELECTED
0	0	None
0	1	1
1	0	2
1	1	3

Enhanced Floppy Mode 2 (OS2)

The TDR Register for Enhanced Floppy Mode 2 operation.

Table 27 - FDC TDR Enhanced Floppy Mode 2 (OS2)

	DB7	DB6	DB5	DB4	DB3	DB2	DB1	DB0
REG 3F3	1	1	Drive Type ID		Floppy Boot Drive		tape sel1	tape sel0

BIT 7 This bit is always set active high

BIT 6 This bit is always set active high

BITS 5 and 4 Drive Type ID

These bits reflect two of the bits of L0-CRF1 (Logical Device 0 – Configuration Register 0xF1). Which two bits these are depends on the last drive selected in the Digital Output Register. (See **Table 32**)

BITS 3 and 2 Floppy Boot Drive

These bits reflect two of the bits of L0-CRF1. Bit 3 = L0-CRF1-B7. Bit 2 = L0-CRF1-B6.

BIT 1 and 0 – Tape Drive Select (READ/WRITE)

Same as in Normal and Enhanced Floppy Mode 2.

Table 28 – Drive Type ID

DIGITAL OUTPUT REGISTER		TDR REGISTER – DRIVE TYPE ID	
Bit 1	Bit 0	Bit 5	Bit 4
0	0	L0-CRF2 – B1	L0-CRF2 – B0
0	1	L0-CRF2 – B3	L0-CRF2 – B2
1	0	L0-CRF2 – B5	L0-CRF2 – B4
1	1	L0-CRF2 – B7	L0-CRF2 – B6

Note: L0-CRF2-Bx = Logical Device 0, Configuration Register F2, Bit x.

MID[1:0] FDD Interface Pins

The FDC Media ID pins are not supported in the LPC47N252. The MID[1:0] inputs to the FDC core are strapped so that the Media ID bits the TDR are always “high”.

DATA RATE SELECT REGISTER (DSR)

FDC I/O Base Address + 0x04 (WRITE ONLY)

This register is write only. It is used to program the data rate, amount of write precompensation, power down status, and software reset. The data rate is programmed using the Configuration Control Register (CCR) not the DSR, for PC/AT and PS/2 Model 30. Other applications can set the data rate in the DSR. The data rate of the floppy controller is the most recent write of either the DSR or CCR. The DSR is unaffected by a software reset. A hardware reset will set the DSR to 02H, which corresponds to the default precompensation setting and 250 Kbps.

Table 29 - FDC DSR

	7	6	5	4	3	2	1	0
	S/W RESET	POWER DOWN	0	PRE- COMP2	PRE- COMP1	PRE- COMP0	DRATE SEL1	DRATE SEL0
RESET COND.	0	0	0	0	0	0	1	0

BITS 0 - 1 DATA RATE SELECT

These bits control the data rate of the floppy controller. See Table 31 for the settings corresponding to the individual data rates. The data rate select bits are unaffected by a software reset and are set to 250 Kbps after a hardware reset.

BITS 2 - 4 PRECOMPENSATION SELECT

These three bits select the value of write precompensation that will be applied to the WDATA output signal. Table 30 shows the precompensation values for the combination of these bits settings. Track 0 is the default starting track number to start precompensation. This starting track number can be changed by the configure command.

BIT 5 UNDEFINED

Should be written as a logic "0".

BIT 6 LOW POWER

A logic "1" written to this bit will put the floppy controller into manual low power mode. The floppy controller clock and data separator circuits will be turned off. The controller will come out of manual low power mode after a software reset or access to the Data Register or Main Status Register.

BIT 7 SOFTWARE RESET

This active high bit has the same function as the DOR RESET (DOR bit 2) except that this bit is self clearing.

Table 30 - FDC Precompensation Delays

PRECOMP 432	PRECOMPENSATION DELAY (nsec)	
	<2Mbps	2Mbps
111	0.00	0
001	41.67	20.8
010	83.34	41.7
011	125.00	62.5
100	166.67	83.3
101	208.33	104.2
110	250.00	125
000	Default	Default

Default: See Table 28

Table 31 - FDC Data Rates

DRIVE RATE		DATA RATE		DATA RATE		DENSEL	DRATE(1)	
DRT1	DRT0	SEL1	SEL0	MFM	FM		1	0
0	0	1	1	1Meg	---	1	1	1
0	0	0	0	500	250	1	0	0
0	0	0	1	300	150	0	0	1
0	0	1	0	250	125	0	1	0
0	1	1	1	1Meg	---	1	1	1
0	1	0	0	500	250	1	0	0
0	1	0	1	500	250	0	0	1
0	1	1	0	250	125	0	1	0
1	0	1	1	1Meg	---	1	1	1
1	0	0	0	500	250	1	0	0
1	0	0	1	2Meg	---	0	0	1
1	0	1	0	250	125	0	1	0

Drive Rate Table (Recommended) 00 = 360K, 1.2M, 720K, 1.44M and 2.88M Vertical Format

01 = 3-Mode Drive

10 = 2 Meg Tape

Note 1: The DRATE and DENSEL values are mapped onto the DRIVEDEN pins.

Table 32 - FDC DRVDEN Mapping

DT1	DT0	DRVDEN1 (1)	DRVDEN0 (1)	DRIVE TYPE
0	0	DRATE0	DENSEL	4/2/1 MB 3.5" 2/1 MB 5.25" FDDS 2/1.6/1 MB 3.5" (3-MODE)
1	0	DRATE0	DRATE1	
0	1	DRATE0	nDENSEL	PS/2
1	1	DRATE1	DRATE0	

Table 33 - FDC Default Precompensation Delays

DATA RATE	PRECOMPENSATION DELAYS
2 Mbps	20.8 ns
1 Mbps	41.67 ns
500 Kbps	125 ns
300 Kbps	125 ns
250 Kbps	125 ns

MAIN STATUS REGISTER

FDC I/O Base Address + 0x04 (READ ONLY)

The Main Status Register is a read-only register and indicates the status of the disk controller. The Main Status Register can be read at any time. The MSR indicates when the disk controller is ready to receive data via the Data Register. It should be read before each byte transferring to or from the data register except in DMA mode. No delay is required when reading the MSR after a data transfer.

Table 34 - FDC MSR

7	6	5	4	3	2	1	0
RQM	DIO	NON DMA	CMD BUSY	DRV3 BUSY	DRV2 BUSY	DRV1 BUSY	DRV0 BUSY

BIT 0 - 3 DRVx BUSY

These bits are set to 1s when a drive is in the seek portion of a command, including implied and overlapped seeks and recalibrate commands.

BIT 4 COMMAND BUSY

This bit is set to a "1" when a command is in progress. This bit will go active after the command byte has been accepted and goes inactive at the end of the results phase. If there is no result phase (Seek, Recalibrate commands), this bit is returned to a "0" after the last command byte.

BIT 5 NON-DMA

Reserved, read '0'. This part does not support non-DMA mode.

BIT 6 DIO

Indicates the direction of a data transfer once a RQM is set. A "1" indicates a read and a "0" indicates a write is required.

BIT 7 RQM

Indicates that the host can transfer data if set to a "1". No access is permitted if set to a "0".

DATA REGISTER (FIFO)

FDC I/O Base Address + 0x05 (READ/WRITE)

All command parameter information, disk data and result status are transferred between the host processor and the FDC through the Data Register. Data transfers are governed by the RQM and DIO bits in the Main Status Register.

The Data Register defaults to FIFO disabled mode after any form of reset. This maintains PC/AT hardware compatibility. The default values can be changed through the Configure command (enable full FIFO operation with threshold control). The advantage of the FIFO is that it allows the system a larger DMA latency without causing a disk error.

Table 43 gives several examples of the delays with a FIFO. The data is based upon the following formula:

$$\text{Threshold \#} \times [8/\text{DATA RATE}] - 1.5\text{ms} = \text{Delay}$$

At the start of a command, the FIFO action is always disabled and command parameters must be sent based upon the RQM and DIO bit settings. As the command execution phase is entered, the FIFO is cleared of any data to ensure that invalid data is not transferred.

An overrun or underrun will terminate the current command and the transfer of data. Disk writes will complete the current sector by generating a 00 pattern and valid CRC. Reads require the host to remove the remaining data so that the result phase may be entered.

Table 35 - FIFO Service Delay

FIFO THRESHOLD EXAMPLES	MAXIMUM DELAY TO SERVICING AT 2 Mbps* DATA RATE
1 byte	1 x 4 ms - 1.5 ms = 2.5 ms
2 bytes	2 x 4 ms - 1.5 ms = 6.5 ms
8 bytes	8 x 4 ms - 1.5 ms = 30.5 ms
15 bytes	15 x 4 ms - 1.5 ms = 58.5 ms

FIFO THRESHOLD EXAMPLES	MAXIMUM DELAY TO SERVICING AT 1 Mbps DATA RATE
1 byte	1 x 8 ms - 1.5 ms = 6.5 ms
2 bytes	2 x 8 ms - 1.5 ms = 14.5 ms
8 bytes	8 x 8 ms - 1.5 ms = 62.5 ms
15 bytes	15 x 8 ms - 1.5 ms = 118.5 ms

FIFO THRESHOLD EXAMPLES	MAXIMUM DELAY TO SERVICING AT 500 Kbps DATA RATE
1 byte	1 x 16 ms - 1.5 ms = 14.5 ms
2 bytes	2 x 16 ms - 1.5 ms = 30.5 ms
8 bytes	8 x 16 ms - 1.5 ms = 126.5 ms
15 bytes	15 x 16 ms - 1.5 ms = 238.5 ms

DIGITAL INPUT REGISTER (DIR)

FDC I/O Base Address + 0x07 (READ ONLY)

This register is read-only in all modes.

DIR - PC-AT Mode

Table 36 - FDC DIR all modes

	7	6	5	4	3	2	1	0
DSK CHG								
RESET COND.	N/A	N/A	N/A	N/A	N/A	N/A	N/A	N/A

BIT 0 – 6 UNDEFINED

The data bus outputs D0 – 6 are read as '0'.

BIT 7 DSKCHG

This bit monitors the pin of the same name and reflects the opposite value seen on the disk cable or the value programmed in the Disk Change Register (see section 19.8, FDC Shadow Registers System on page 229.)

DIR – PS/2 Mode**Table 37 - FDC DIR PS/2 Mode**

	7	6	5	4	3	2	1	0
	DSK CHG	1	1	1	1	DRATE SEL1	DRATE SEL0	nhigh DENS
RESET COND.	N/A	N/A	N/A	N/A	N/A	N/A	N/A	1

BIT 0 nHIGHnhigh DENS

This bit is low whenever the 500 Kbps or 1 Mbps data rates are selected, and high when 250 Kbps and 300 Kbps are selected.

BITS 1 – 2 DATA RATE SELECT

These bits control the data rate of the floppy controller. See Table 31 for the settings corresponding to the individual data rates. The data rate select bits are unaffected by a software reset, and are set to 250 Kbps after a hardware reset.

BITS 3 – 6 UNDEFINED

Always read as a logic "1"

BIT 7 DSKCHG

This bit monitors the pin of the same name and reflects the opposite value seen on the disk cable or the value programmed in the Disk Change Register (see section 19.8, FDC Shadow Registers System on page 229).

DIR – Model 30 Mode**Table 38 - FDC DIR Model 30 Mode**

	7	6	5	4	3	2	1	0
	DSK CHG	0	0	0	DMAEN	NOPREC	DRATE SEL1	DRATE SEL0
RESET COND.	N/A	0	0	0	0	0	1	0

BITS 0 and 1 DATA RATE SELECT

These bits control the data rate of the floppy controller. See Table 31 for the settings corresponding to the individual data rates. The data rate select bits are unaffected by a software reset and are set to 250 Kbps after a hardware reset.

BIT 2 NOPREC

This bit reflects the value of NOPREC bit set in the CCR register.

BIT 3 DMAEN

This bit reflects the value of DMAEN bit set in the DOR register bit 3.

BITS 4 - 6 UNDEFINED

Always read as a logic "0"

BIT 7 DSKCHG

This bit monitors the pin of the same name and reflects the opposite value seen on the disk cable or the value programmed in the Disk Change Register (see section 19.8, FDC Shadow Registers System on page 229.)

CONFIGURATION CONTROL REGISTER (CCR)**FDC I/O Base Address + 0x07 (WRITE ONLY)****Table 39 - FDC CCR PC/AT and PS/2 Mode**

	7	6	5	4	3	2	1	0
							DRATE SEL1	DRATE SEL0
RESET COND.	N/A	N/A	N/A	N/A	N/A	N/A	1	0

BIT 0 and 1 DATA RATE SELECT 0 and 1

These bits determine the data rate of the floppy controller. See **Table 31** for the appropriate values.

BIT 2 - 7 RESERVED

Should be set to a logical "0"

Table 40 - FDC CCR - PS/2 Model 30 Mode

	7	6	5	4	3	2	1	0
						NOPREC	DRATE SEL1	DRATE SEL0
RESET COND.	N/A	N/A	N/A	N/A	N/A	N/A	1	0

BIT 0 and 1 DATA RATE SELECT 0 and 1

These bits determine the data rate of the floppy controller. See **Table 31** for the appropriate values.

BIT 2 NO PRECOMPENSATION

This bit can be set by software, but it has no functionality. It can be read by bit 2 of the DSR when in Model 30 register mode. Unaffected by software reset.

BIT 3 - 7 RESERVED

Should be set to a logical "0"

Table 31 shows the state of the DENSEL pin. The DENSEL pin is set high after a hardware reset and is unaffected by the DOR and the DSR resets.

STATUS REGISTER ENCODING

During the Result Phase of certain commands, the Data Register contains data bytes that give the status of the command just executed.

Table 41 – FDC Status Register 0

BIT NO.	SYMBOL	NAME	DESCRIPTION
7,6	IC	Interrupt Code	00 - Normal termination of command. The specified command was properly executed and completed without error. 01 - Abnormal termination of command. Command execution was started, but was not successfully completed. 10 - Invalid command. The requested command could not be executed. 11 - Abnormal termination caused by Polling.
5	SE	Seek End	The FDC completed a Seek, Relative Seek or Recalibrate command (used during a Sense Interrupt Command).
4	EC	Equipment Check	The TRK0 pin failed to become a "1" after: Step pulses in the Recalibrate command. The Relative Seek command caused the FDC to step outward beyond Track 0.
3			Unused. This bit is always "0".
2	H	Head Address	The current head address.
1,0	DS1,0	Drive Select	The current selected drive.

Table 42 – FDC Status Register 1

BIT NO.	SYMBOL	NAME	DESCRIPTION
7	EN	End of Cylinder	The FDC tried to access a sector beyond the final sector of the track (255D). Will be set if TC is not issued after Read or Write Data command.
6			Unused. This bit is always "0".
5	DE	Data Error	The FDC detected a CRC error in either the ID field or the data field of a sector.
4	OR	Overrun/ Underrun	Becomes set if the FDC does not receive CPU or DMA service within the required time interval, resulting in data overrun or underrun.
3			Unused. This bit is always "0".
2	ND	No Data	Any one of the following: Read Data, Read Deleted Data command - the FDC did not find the specified sector. Read ID command - the FDC cannot read the ID field without an error. Read A Track command - the FDC cannot find the proper sector sequence.
1	NW	Not Writable	WP pin became a "1" while the FDC is executing a Write Data, Write Deleted Data, or Format A Track command.
0	MA	Missing Address Mark	Any one of the following: The FDC did not detect an ID address mark at the specified track after encountering the index pulse from the IDX pin twice. The FDC cannot detect a data address mark or a deleted data address mark on the specified track.

Table 43 – FDC Status Register 2

BIT NO.	SYMBOL	NAME	DESCRIPTION
7			Unused. This bit is always "0".
6	CM	Control Mark	Any one of the following: Read Data command - the FDC encountered a deleted data address mark. Read Deleted Data command - the FDC encountered a data address mark.
5	DD	Data Error in Data Field	The FDC detected a CRC error in the data field.
4	WC	Wrong Cylinder	The track address from the sector ID field is different from the track address maintained inside the FDC.
3			Unused. This bit is always "0".
2			Unused. This bit is always "0".
1	BC	Bad Cylinder	The track address from the sector ID field is different from the track address maintained inside the FDC and is equal to FF hex, which indicates a bad track with a hard error according to the IBM soft-sectored format.
0	MD	Missing Data Address Mark	The FDC cannot detect a data address mark or a deleted data address mark.

Table 44 – FDC Status Register 3

BIT NO.	SYMBOL	NAME	DESCRIPTION
7			Unused. This bit is always "0".
6	WP	Write Protected	Indicates the status of the WP pin.
5			Unused. This bit is always "1".
4	T0	Track 0	Indicates the status of the TRK0 pin.
3			Unused. This bit is always "1".
2	HD	Head Address	Indicates the status of the HDSEL pin.
1,0	DS1,0	Drive Select	Indicates the status of the nDS1, nDS0 pins.

5.1 FDC RESET

There are three sources of system reset on the FDC:

The iRESET_OUT bit of the 8051's Output Enable Register which controls the nRESET_OUT pin of the LPC47N252 (see section 11.8.3.5)

A reset generated via a bit in the DOR

A reset generated via a bit in the DSR.

At VCC2 power on, a VCC2 Power On Reset initializes the FDC. All resets take the FDC out of the power down state.

All operations are terminated upon a RESET, and the Floppy Disk Controller enters an idle state. A reset while a disk write is in progress will corrupt the data and CRC.

On exiting the reset state, various internal registers are cleared, including the Configure command information, and the Floppy Disk Controller waits for a new command. Drive polling will start unless disabled by a new Configure command.

nRESET_OUT Pin (Hardware Reset)

The nRESET_OUT pin is a global reset and clears all registers except those programmed by the Specify command. The DOR reset bit is enabled and must be cleared by the host to exit the reset state.

DOR Reset vs. DSR Reset (Software Reset)

These two resets are functionally the same. Both will reset the FDC core, which affects drive status information and the FIFO circuits. The DSR reset clears itself automatically while the DOR reset requires the host to manually clear it. DOR reset has precedence over the DSR reset. The DOR reset is set automatically upon a nRESET_OUT pin reset. The user must manually clear this reset bit in the DOR to exit the reset state.

5.2 FDC MODES OF OPERATION

The FDC has three modes of operation, PC/AT mode, PS/2 mode and Model 30 mode. These are determined by the state of IDENT and MFM, bits[3] and [2] respectively of L0-CRF0.

5.2.1 PC/AT MODE

The PC/AT register set is enabled, the DMA enable bit of the DOR becomes valid (controls the interrupt and DMA functions), DENSEL is an active high signal.

5.2.2 PS/2 MODE

This mode supports the PS/2 models 50/60/80 configuration and register set. In this mode, the DMA bit of the DOR becomes a "don't care." The DMA and interrupt functions are always enabled, DENSEL is an active high signal.

5.2.3 MODEL 30 MODE

This mode supports PS/2 Model 30 configuration and register set the DMA enable bit of the DOR becomes valid (controls the interrupt and DMA functions), DENSEL is an active low signal.

5.3 DMA TRANSFERS

DMA transfers are enabled with the Specify command and are initiated by the FDC by asserting a DMA request cycle. DMA read, write and verify cycles are supported. The FDC supports two DMA data transfer modes: Single Transfer and Burst Transfer. Burst mode is enabled via Logical Device 0-CRF0-Bit[1]. (LD0-CRF0[1])

5.4 CONTROLLER PHASES

For simplicity, command handling in the FDC can be divided into three phases: Command, Execution, and Result. Each phase is described in the following sections.

5.4.1 COMMAND PHASE

After a reset, the FDC enters the command phase and is ready to accept a command from the host. For each of the commands, a defined set of command code bytes and parameter bytes has to be written to the FDC before the command phase is complete. (Please refer to Table 45 for the command set descriptions). These bytes of data must be transferred in the order prescribed.

Before writing to the FDC, the host must examine the RQM and DIO bits of the Main Status Register. RQM and DIO must be equal to "1" and "0" respectively before command bytes may be written. RQM is set false by the FDC after each write cycle until the received byte is processed. The FDC asserts RQM again to request each parameter byte of the command unless an illegal command condition is detected. After the last parameter byte is received, RQM remains "0" and the FDC automatically enters the next phase as defined by the command definition.

The FIFO is disabled during the command phase to provide for the proper handling of the "Invalid Command" condition.

5.4.2 EXECUTION PHASE

All data transfers to or from the FDC occur during the execution phase, which can proceed in DMA or non-DMA mode as indicated in the Specify command.

After a reset, the FIFO is disabled. Each data byte is transferred by a read/write or DMA cycle depending on the DMA mode. The Configure command can enable the FIFO and set the FIFO threshold value.

The following paragraphs detail the operation of the FIFO flow control. In these descriptions, <threshold> is defined as the number of bytes available to the FDC when service is requested from the host and ranges from 1 to 16. The parameter FIFOTHR, which the user programs, is one less and ranges from 0 to 15.

A low threshold value (i.e. 2) results in longer periods of time between service requests, but requires faster servicing of the request for both read and write cases. The host reads (writes) from (to) the FIFO until empty (full), then the transfer request goes inactive. The host must be very responsive to the service request. This is the desired case for use with a "fast" system.

A high value of threshold (i.e. 12) is used with a "sluggish" system by affording a long latency period after a service request, but results in more frequent service requests.

5.4.2.1 Non-DMA Mode - Transfers from the FIFO to the Host

The FDC's interrupt and RQM bit in the Main Status Register are activated when the FIFO contains (16-<threshold>) bytes or the last bytes of a full sector have been placed in the FIFO. The FDC's interrupt can be used for interrupt-driven systems, and RQM can be used for polled systems. The host must respond to the request by reading data from the FIFO. This process is repeated until the last byte is transferred out of the FIFO. The FDC will deactivate the interrupt and RQM bit when the FIFO becomes empty.

5.4.2.2 Non-DMA Mode - Transfers from the Host to the FIFO

The FDC's Interrupt and RQM bit in the Main Status Register are activated upon entering the execution phase of data transfer commands. The host must respond to the request by writing data into the FIFO. The FDC's Interrupt and RQM bit remain true until the FIFO becomes full. They are set true again when the FIFO has <threshold> bytes remaining in the FIFO. The FDC enters the result phase after the last byte is taken by the FDC from the FIFO (i.e. FIFO empty condition).

5.4.2.3 DMA Mode - Transfers from the FIFO to the Host

The FDC generates a DMA request cycle when the FIFO contains (16 - <threshold>) bytes, or the last byte of a full sector transfer has been placed in the FIFO. The DMA controller must respond to the request by reading data from the FIFO. The FDC will deactivate the DMA request by generating the proper sync for the data transfer, this occurs when the FIFO becomes empty.

5.4.2.4 DMA Mode - Transfers from the Host to the FIFO

The FDC generates a DMA request cycle when entering the execution phase of the data transfer commands. The DMA controller must respond by placing data in the FIFO. The DMA request remains active until the FIFO becomes full. The DMA request cycle is reasserted when the FIFO has <threshold> bytes remaining in the FIFO. The FDC terminates the DMA cycles after a TC, indicating that no more data is required.

5.4.2.5 Data Transfer Termination

The FDC supports terminal count explicitly through the TC cycle and implicitly through the underrun/overflow and end-of-track (EOT) functions. For full sector transfers, the EOT parameter can define the last sector to be transferred in a single or multi-sector transfer.

If the last sector to be transferred is a partial sector, the host can stop transferring the data in mid-sector, and the FDC will continue to complete the sector as if a TC cycle was received. The only difference between these implicit functions and a TC cycle is that they return "abnormal termination" result status. Such status indications can be ignored if they were expected.

Note that when the host is sending data to the FIFO of the FDC, the internal sector count will be complete when the FDC reads the last byte from its side of the FIFO. There may be a delay in the removal of the transfer request signal of up to the time taken for the FDC to read the last 16 bytes from the FIFO. The host must tolerate this delay.

5.4.3 RESULT PHASE

The generation of the FDC's interrupt determines the beginning of the result phase. For each of the commands, a defined set of result bytes must be read from the FDC before the result phase is complete. These bytes of data must be read out for another command to start.

RQM and DIO must both equal "1" before the result bytes may be read. After all the result bytes have been read, the RQM and DIO bits switch to "1" and "0" respectively, and the CB bit is cleared, indicating that the FDC is ready to accept the next command.

5.5 COMMAND SET/DESCRIPTIONS

Commands can be written whenever the FDC is in the command phase. Each command has a unique set of needed parameters and status results. The FDC checks to see that the first byte is a valid command and, if valid, proceeds with the command. If it is invalid, an interrupt is issued. The user sends a Sense Interrupt Status command, which returns an invalid command error. Refer to **Table 45** for explanations of the various symbols used. **Table 46** lists the required parameters and the results associated with each command that the FDC is capable of performing.

Table 45 - Description of the FDC Command Symbols

SYMBOL	NAME	DESCRIPTION															
C	Cylinder Address	The currently selected address; 0 to 255.															
D	Data Pattern	The pattern to be written in each sector data field during formatting.															
D0, D1, D2, D3	Drive Select 0-3	Designates which drives are perpendicular drives on the Perpendicular Mode Command. A "1" indicates a perpendicular drive.															
DIR	Direction Control	If this bit is 0, then the head will step out from the spindle during a relative seek. If set to a 1, the head will step in toward the spindle.															
DS0, DS1	Disk Drive Select	<table border="1"> <thead> <tr> <th>DS1</th> <th>DS0</th> <th>DRIVE</th> </tr> </thead> <tbody> <tr> <td>0</td> <td>0</td> <td>drive 0</td> </tr> <tr> <td>0</td> <td>1</td> <td>drive 1</td> </tr> <tr> <td>1</td> <td>0</td> <td>drive 2</td> </tr> <tr> <td>1</td> <td>1</td> <td>drive 3</td> </tr> </tbody> </table>	DS1	DS0	DRIVE	0	0	drive 0	0	1	drive 1	1	0	drive 2	1	1	drive 3
DS1	DS0	DRIVE															
0	0	drive 0															
0	1	drive 1															
1	0	drive 2															
1	1	drive 3															
DTL	Special Sector Size	By setting N to zero (00), DTL may be used to control the number of bytes transferred in disk read/write commands. The sector size (N = 0) is set to 128. If the actual sector (on the diskette) is larger than DTL, the remainder of the actual sector is read but is not passed to the host during read commands; during write commands, the remainder of the actual sector is written with all zero bytes. The CRC check code is calculated with the actual sector. When N is not zero, DTL has no meaning and should be set to FF HEX.															
EC	Enable Count	When this bit is "1" the "DTL" parameter of the Verify command becomes SC (number of sectors per track).															
EFIFO	Enable FIFO	This active low bit when a 0, enables the FIFO. A "1" disables the FIFO (default).															
EIS	Enable Implied Seek	When set, a seek operation will be performed before executing any read or write command that requires the C parameter in the command phase. A "0" disables the implied seek.															
EOT	End of Track	The final sector number of the current track.															
GAP		Alters Gap 2 length when using Perpendicular Mode.															
GPL	Gap Length	The Gap 3 size. (Gap 3 is the space between sectors excluding the VCO synchronization field).															
H/HDS	Head Address	Selected head: 0 or 1 (disk side 0 or 1) as encoded in the sector ID field.															
HLT	Head Load Time	The time interval that the FDC waits after loading the head and before initializing a read or write operation. Refer to the Specify command for actual delays.															
HUT	Head Unload Time	The time interval from the end of the execution phase (of a read or write command) until the head is unloaded. Refer to the Specify command for actual delays.															
LOCK		Lock defines whether EFIFO, FIFOTHR, and PRETRK parameters of the CONFIGURE COMMAND can be reset to their default values by a "software Reset". (A reset caused by writing to the appropriate bits of either the DSR or DOR)															
MFMM	MFMM/FM Mode Selector	A one selects the double density (MFMM) mode. A zero selects single density (FM) mode.															

SYMBOL	NAME	DESCRIPTION														
MT	Multi-Track Selector	When set, this flag selects the multi-track operating mode. In this mode, the FDC treats a complete cylinder under head 0 and 1 as a single track. The FDC operates as this expanded track started at the first sector under head 0 and ended at the last sector under head 1. With this flag set, a multitrack read or write operation will automatically continue to the first sector under head 1 when the FDC finishes operating on the last sector under head 0.														
N	Sector Size Code	This specifies the number of bytes in a sector. If this parameter is "00", then the sector size is 128 bytes. The number of bytes transferred is determined by the DTL parameter. Otherwise the sector size is (2 raised to the "N'th" power) times 128. All values up to "07" hex are allowable. "07" would equal a sector size of 16k. It is the user's responsibility to not select combinations that are not possible with the drive. <table style="margin-left: auto; margin-right: auto;"> <thead> <tr> <th style="text-align: center;">N</th> <th style="text-align: center;">SECTOR SIZE</th> </tr> </thead> <tbody> <tr> <td style="text-align: center;">00</td> <td style="text-align: center;">128 bytes</td> </tr> <tr> <td style="text-align: center;">01</td> <td style="text-align: center;">256 bytes</td> </tr> <tr> <td style="text-align: center;">02</td> <td style="text-align: center;">512 bytes</td> </tr> <tr> <td style="text-align: center;">03</td> <td style="text-align: center;">1024 bytes</td> </tr> <tr> <td style="text-align: center;">...</td> <td style="text-align: center;">...</td> </tr> <tr> <td style="text-align: center;">07</td> <td style="text-align: center;">16 Kbytes</td> </tr> </tbody> </table>	N	SECTOR SIZE	00	128 bytes	01	256 bytes	02	512 bytes	03	1024 bytes	07	16 Kbytes
N	SECTOR SIZE															
00	128 bytes															
01	256 bytes															
02	512 bytes															
03	1024 bytes															
...	...															
07	16 Kbytes															
NCN	New Cylinder Number	The desired cylinder number.														
ND	Non-DMA Mode Flag	When set to 1, indicates that the FDC is to operate in the non-DMA mode. In this mode, the host is interrupted for each data transfer. When set to 0, the FDC operates in DMA mode.														
OW	Overwrite	The bits D0-D3 of the Perpendicular Mode Command can only be modified if OW is set to 1. OW is defined in the Lock command.														
PCN	Present Cylinder Number	The current position of the head at the completion of Sense Interrupt Status command.														
POLL	Polling Disable	When set, the internal polling routine is disabled. When clear, polling is enabled.														
PRETRK	Precompensation Start Track Number	Programmable from track 00 to FFH.														
R	Sector Address	The sector number to be read or written. In multi-sector transfers, this parameter specifies the sector number of the first sector to be read or written.														
RCN	Relative Cylinder Number	Relative cylinder offset from present cylinder as used by the Relative Seek command.														
SC	Number of Sectors Per Track	The number of sectors per track to be initialized by the Format command. The number of sectors per track to be verified during a Verify command when EC is set.														
SK	Skip Flag	When set to 1, sectors containing a deleted data address mark will automatically be skipped during the execution of Read Data. If Read Deleted is executed, only sectors with a deleted address mark will be accessed. When set to "0", the sector is read or written the same as the read and write commands.														
SRT	Step Rate Interval	The time interval between step pulses issued by the FDC. Programmable from 0.5 to 8 milliseconds in increments of 0.5 ms at the 1 Mbit data rate. Refer to the SPECIFY command for actual delays.														
ST0 ST1 ST2 ST3	Status 0 Status 1 Status 2 Status 3	Registers within the FDC which store status information after a command has been executed. This status information is available to the host during the result phase after command execution.														
WGATE	Write Gate	Alters timing of WE to allow for pre-erase loads in perpendicular drives.														

5.6 FDC INSTRUCTION SET

Table 46 - FDC Instruction Set

READ DATA										
		DATA BUS								
PHASE	R/W	D7	D6	D5	D4	D3	D2	D1	D0	REMARKS
Command	W	MT	MFM	SK	0	0	1	1	0	Command Codes
	W	0	0	0	0	0	HDS	DS1	DS0	
	W	----- C -----								Sector ID information prior to Command execution.
	W	----- H -----								
	W	----- R -----								
	W	----- N -----								
	W	----- EOT -----								
	W	----- GPL -----								
	W	----- DTL -----								
Execution										Data transfer between the FDD and system.
Result	R	----- ST0 -----								Status information after Command execution.
	R	----- ST1 -----								
	R	----- ST2 -----								
	R	----- C -----								Sector ID information after Command execution.
	R	----- H -----								
	R	----- R -----								
	R	----- N -----								

READ DELETED DATA										
		DATA BUS								
PHASE	R/W	D7	D6	D5	D4	D3	D2	D1	D0	REMARKS
Command	W	MT	MFM	SK	0	1	1	0	0	Command Codes
	W	0	0	0	0	0	HDS	DS1	DS0	
	W	----- C -----								Sector ID information prior to Command execution.
	W	----- H -----								
	W	----- R -----								
	W	----- N -----								
	W	----- EOT -----								
	W	----- GPL -----								
	W	----- DTL -----								
Execution										Data transfer between the FDD and system.
Result	R	----- ST0 -----								Status information after Command execution.
	R	----- ST1 -----								
	R	----- ST2 -----								
	R	----- C -----								Sector ID information after Command execution.
	R	----- H -----								
	R	----- R -----								
	R	----- N -----								

WRITE DATA										
PHASE	R/W	DATA BUS								REMARKS
		D7	D6	D5	D4	D3	D2	D1	D0	
Command	W	MT	MFM	0	0	0	1	0	1	Command Codes
	W	0	0	0	0	0	HDS	DS1	DS0	
	W	----- C -----								Sector ID information prior to Command execution.
	W	----- H -----								
	W	----- R -----								
	W	----- N -----								
	W	----- EOT -----								
	W	----- GPL -----								
	W	----- DTL -----								
Execution										Data transfer between the FDD and system.
Result	R	----- ST0 -----								Status information after Command execution.
	R	----- ST1 -----								
	R	----- ST2 -----								
	R	----- C -----								Sector ID information after Command execution.
	R	----- H -----								
	R	----- R -----								
	R	----- N -----								

WRITE DELETED DATA										
PHASE	R/W	DATA BUS								REMARKS
		D7	D6	D5	D4	D3	D2	D1	D0	
Command	W	MT	MFM	0	0	1	0	0	1	Command Codes
	W	0	0	0	0	0	HDS	DS1	DS0	
	W	----- C -----								Sector ID information prior to Command execution.
	W	----- H -----								
	W	----- R -----								
	W	----- N -----								
	W	----- EOT -----								
	W	----- GPL -----								
	W	----- DTL -----								
Execution										Data transfer between the FDD and system.
Result	R	----- ST0 -----								Status information after Command execution.
	R	----- ST1 -----								
	R	----- ST2 -----								
	R	----- C -----								Sector ID information after Command execution.
	R	----- H -----								
	R	----- R -----								
	R	----- N -----								

READ A TRACK										
PHASE	R/W	DATA BUS								REMARKS
		D7	D6	D5	D4	D3	D2	D1	D0	
Command	W	0	MFM	0	0	0	0	1	0	Command Codes
	W	0	0	0	0	0	HDS	DS1	DS0	
	W	----- C -----								Sector ID information prior to Command execution.
	W	----- H -----								
	W	----- R -----								
	W	----- N -----								
	W	----- EOT -----								
	W	----- GPL -----								
	W	----- DTL -----								
Execution										Data transfer between the FDD and system. FDC reads all of cylinders' contents from index hole to EOT.
Result	R	----- ST0 -----								Status information after Command execution.
	R	----- ST1 -----								
	R	----- ST2 -----								
	R	----- C -----								Sector ID information after Command execution.
	R	----- H -----								
	R	----- R -----								
	R	----- N -----								

VERIFY										
PHASE	R/W	DATA BUS								REMARKS
		D7	D6	D5	D4	D3	D2	D1	D0	
Command	W	MT	MFM	SK	1	0	1	1	0	Command Codes
	W	EC	0	0	0	0	HDS	DS1	DS0	
	W	----- C -----								Sector ID information prior to Command execution.
	W	----- H -----								
	W	----- R -----								
	W	----- N -----								
	W	----- EOT -----								
	W	----- GPL -----								
	W	----- DTL/SC -----								
Execution										No data transfer takes place.
Result	R	----- ST0 -----								Status information after Command execution.
	R	----- ST1 -----								
	R	----- ST2 -----								
	R	----- C -----								Sector ID information after Command execution.
	R	----- H -----								
	R	----- R -----								
	R	----- N -----								

VERSION										
DATA BUS										
PHASE	R/W	D7	D6	D5	D4	D3	D2	D1	D0	REMARKS
Command	W	0	0	0	1	0	0	0	0	Command Code
Result	R	1	0	0	1	0	0	0	0	Enhanced Controller

FORMAT A TRACK										
DATA BUS										
PHASE	R/W	D7	D6	D5	D4	D3	D2	D1	D0	REMARKS
Command	W	0	MFM	0	0	1	1	0	1	Command Codes
	W	0	0	0	0	0	HDS	DS1	DS0	
	W	----- N -----								Bytes/Sector
	W	----- SC -----								Sectors/Cylinder
	W	----- GPL -----								Gap 3
	W	----- D -----								Filler Byte
Execution for Each Sector Repeat:	W	----- C -----								Input Sector Parameters
	W	----- H -----								
	W	----- R -----								
	W	----- N -----								
										FDC formats an entire cylinder
Result	R	----- ST0 -----								Status information after Command execution
	R	----- ST1 -----								
	R	----- ST2 -----								
	R	----- Undefined -----								
	R	----- Undefined -----								
	R	----- Undefined -----								
	R	----- Undefined -----								

RECALIBRATE										
DATA BUS										
PHASE	R/W	D7	D6	D5	D4	D3	D2	D1	D0	REMARKS
Command	W	0	0	0	0	0	1	1	1	Command Codes
	W	0	0	0	0	0	0	DS1	DS0	
Execution										Head retracted to Track 0 Interrupt.

SENSE INTERRUPT STATUS										
DATA BUS										
PHASE	R/W	D7	D6	D5	D4	D3	D2	D1	D0	REMARKS
Command	W	0	0	0	0	1	0	0	0	Command Codes
Result	R	----- ST0 -----								Status information at the end of each seek operation.
	R	----- PCN -----								

SPECIFY										
		DATA BUS								
PHASE	R/W	D7	D6	D5	D4	D3	D2	D1	D0	REMARKS
Command	W	0	0	0	0	0	0	1	1	Command Codes
	W	--- SRT ---				--- HUT ---				
	W	----- HLT -----							ND	

SENSE DRIVE STATUS										
		DATA BUS								
PHASE	R/W	D7	D6	D5	D4	D3	D2	D1	D0	REMARKS
Command	W	0	0	0	0	0	1	0	0	Command Codes
	W	0	0	0	0	0	HDS	DS1	DS0	
Result	R	----- ST3 -----								Status information about FDD

SEEK										
		DATA BUS								
PHASE	R/W	D7	D6	D5	D4	D3	D2	D1	D0	REMARKS
Command	W	0	0	0	0	1	1	1	1	Command Codes
	W	0	0	0	0	0	HDS	DS1	DS0	
Execution	W	----- NCN -----								Head positioned over proper cylinder on diskette.

CONFIGURE										
		DATA BUS								
PHASE	R/W	D7	D6	D5	D4	D3	D2	D1	D0	REMARKS
Command	W	0	0	0	1	0	0	1	1	Configure Information
	W	0	0	0	0	0	0	0	0	
	W	0	EIS	EFIFO	POLL	--- FIFOTHR ---				
Execution	W	----- PRETRK -----								

RELATIVE SEEK										
		DATA BUS								
PHASE	R/W	D7	D6	D5	D4	D3	D2	D1	D0	REMARKS
Command	W	1	DIR	0	0	1	1	1	1	
	W	0	0	0	0	0	HDS	DS1	DS0	
	W	----- RCN -----								

DUMPREG											
PHASE	R/W	DATA BUS								REMARKS	
		D7	D6	D5	D4	D3	D2	D1	D0		
Command	W	0	0	0	0	1	1	1	0	*Note: Registers placed in FIFO	
Execution Result	R	----- PCN-Drive 0 -----									
	R	----- PCN-Drive 1 -----									
	R	----- PCN-Drive 2 -----									
	R	----- PCN-Drive 3 -----									
	R	---- SRT ----				--- HUT ---					
	R	----- HLT -----						ND			
	R	----- SC/EOT -----									
	R	LOCK	0	D3	D2	D1	D0	GAP	WGATE		
	R	0	EIS	EFIFO	POLL	-- FIFOTHR --					
R	----- PRETRK -----										

READ ID											
PHASE	R/W	DATA BUS								REMARKS	
		D7	D6	D5	D4	D3	D2	D1	D0		
Command	W	0	MFM	0	0	1	0	1	0	Commands	
Execution	W	0	0	0	0	0	HDS	DS1	DS0		
Result	R	----- ST0 -----									The first correct ID information on the Cylinder is stored in Data Register Status information after Command execution. Disk status after the Command has completed
	R	----- ST1 -----									
	R	----- ST2 -----									
	R	----- C -----									
	R	----- H -----									
	R	----- R -----									
	R	----- N -----									

PERPENDICULAR MODE										
PHASE	R/W	DATA BUS								REMARKS
		D7	D6	D5	D4	D3	D2	D1	D0	
Command	W	0	0	0	1	0	0	1	0	Command Codes
	OW	0	D3	D2	D1	D0	GAP	WGATE		

INVALID CODES										
PHASE	R/W	DATA BUS								REMARKS
		D7	D6	D5	D4	D3	D2	D1	D0	
Command	W	----- Invalid Codes -----								Invalid Command Codes (NoOp - FDC goes into Stand- by State) ST0 = 80H
Result	R	----- ST0 -----								

LOCK										
PHASE	R/W	DATA BUS								REMARKS
		D7	D6	D5	D4	D3	D2	D1	D0	
Command	W	LOCK	0	0	1	0	1	0	0	Command Codes
Result	R	0	0	0	LOCK	0	0	0	0	

SC is returned if the last command that was issued was the Format command. EOT is returned if the last command was a Read or Write.

Note: These bits are used internally only. They are not reflected in the Drive Select pins. It is the user's responsibility to maintain correspondence between these bits and the Drive Select pins (DOR).

5.7 FDC DATA TRANSFER COMMANDS

All of the Read Data, Write Data and Verify type commands use the same parameter bytes and return the same results information, the only difference being the coding of bits 0-4 in the first byte.

An implied seek will be executed if the feature was enabled by the Configure command. This seek is completely transparent to the user. The Drive Busy bit for the drive will go active in the Main Status Register during the seek portion of the command. If the seek portion fails, it will be reflected in the results status normally returned for a Read/Write Data command. Status Register 0 (ST0) would contain the error code and C would contain the cylinder on which the seek failed.

Table 47 - FDC Sector Sizes

N	SECTOR SIZE
00	128 bytes
01	256 bytes
02	512 bytes
03	1024 bytes
..	...
07	16 Kbytes

5.7.1 READ DATA

A set of nine (9) bytes is required to place the FDC in the Read Data Mode. After the Read Data command has been issued, the FDC loads the head (if it is in the unloaded state), waits the specified head settling time (defined in the Specify command), and begins reading ID Address Marks and ID fields. When the sector address read off the diskette matches with the sector address specified in the command, the FDC reads the sector's data field and transfers the data to the FIFO.

After completion of the read operation from the current sector, the sector address is incremented by one and the data from the next logical sector is read and output via the FIFO. This continuous read function is called "Multi-Sector Read Operation". Upon receipt of TC cycle, or an implied TC (FIFO overrun/underrun), the FDC stops sending data but will continue to read data from the current sector, check the CRC bytes, and at the end of the sector, terminate the Read Data Command.

N determines the number of bytes per sector (see Table 47 above). If N is set to zero, the sector size is set to 128. The DTL value determines the number of bytes to be transferred. If DTL is less than 128, the FDC transfers the specified number of bytes to the host. For reads, it continues to read the entire 128-byte sector and checks for CRC errors. For writes, it completes the 128-byte sector by filling in zeros. If N is not set to 00 Hex, DTL should be set to FF Hex and has no impact on the number of bytes transferred.

The amount of data which can be handled with a single command to the FDC depends upon MT (multi-track) and N (number of bytes/sector).

The Multi-Track function (MT) allows the FDC to read data from both sides of the diskette. For a particular cylinder, data will be transferred starting at Sector 1, Side 0 and completing the last sector of the same track at Side 1.

If the host terminates a read or write operation in the FDC, the ID information in the result phase is dependent upon the state of the MT bit and EOT byte.

At the completion of the Read Data command, the head is not unloaded until after the Head Unload Time Interval (specified in the Specify command) has elapsed. If the host issues another command before the head unloads, then the head settling time may be saved between subsequent reads.

If the FDC detects a pulse on the nINDEX pin twice without finding the specified sector (meaning that the diskette's index hole passes through index detect logic in the drive twice), the FDC sets the IC code in Status Register 0 to "01" indicating abnormal termination, sets the ND bit in Status Register 1 to "1" indicating a sector not found, and terminates the Read Data Command. After reading the ID and Data Fields in each sector, the FDC checks the CRC bytes. If a CRC error occurs in the ID or data field, the FDC sets the IC code in Status Register 0 to "01" indicating abnormal termination, sets the DE bit flag in Status Register 1 to "1", sets the DD bit in Status Register 2 to "1" if CRC is incorrect in the ID field, and terminates the Read Data Command. Table 52 - Verify Command Result Phase Table describes the effect of the SK bit on the Read Data command execution and results. Except where noted in Table 48, the C or R value of the sector address is automatically incremented (see Table 54).

Table 48 - Effects Of MT and N Bits

MT	N	MAXIMUM TRANSFER CAPACITY	FINAL SECTOR READ FROM DISK
0	1	256 x 26 = 6,656	26 at side 0 or 1
1	1	256 x 52 = 13,312	26 at side 1
0	2	512 x 15 = 7,680	15 at side 0 or 1
1	2	512 x 30 = 15,360	15 at side 1
0	3	1024 x 8 = 8,192	8 at side 0 or 1
1	3	1024 x 16 = 16,384	16 at side 1

Table 49 - Skip Bit vs Read Data Command

SK BIT VALUE	DATA ADDRESS MARK TYPE ENCOUNTERED	RESULTS		
		SECTOR READ?	CM BIT OF ST2 SET?	DESCRIPTION OF RESULTS
0	Normal Data	Yes	No	Normal termination
0	Deleted Data	Yes	Yes	Address not incremented. Next sector not searched for
1	Normal Data	Yes	No	Normal termination
1	Deleted Data	No	Yes	Normal termination. Sector not read ("skipped")

5.7.2 READ DELETED DATA

This command is the same as the Read Data command, only it operates on sectors that contain a Deleted Data Address Mark at the beginning of a Data Field. Table 53 describes the effect of the SK bit on the Read Deleted Data command execution and results. Except where noted in Table 53, the C or R value of the sector address is automatically incremented (See Table 54)

Table 50 - Skip Bit vs. Read Deleted Data Command

SK BIT VALUE	DATA ADDRESS MARK TYPE ENCOUNTERED	RESULTS		
		SECTOR READ?	CM BIT OF ST2 SET?	DESCRIPTION OF RESULTS
0	Normal Data	Yes	Yes	Address not incremented. Next sector not searched for.
0	Deleted Data	Yes	No	Normal termination
1	Normal Data	No	Yes	Normal termination. Sector not read ("skipped")
1	Deleted Data	Yes	No	Normal termination

5.7.3 READ A TRACK

This command is similar to the Read Data command except that the entire data field is read continuously from each of the sectors of a track. Immediately after encountering a pulse on the nINDEX pin, the FDC starts to read all data fields on the track as continuous blocks of data without regard to logical sector numbers. If the FDC finds an error in the ID or DATA CRC check bytes, it continues to read data from the track and sets the appropriate error bits at the end of the command. The FDC compares the ID information read from each sector with the specified value in the command and sets the ND flag of Status Register 1 to a "1" if there is no comparison. Multi-track or skip operations are not allowed with this command. The MT and SK bits (bits D7 and D5 of the first command byte respectively) should always be set to "0".

This command terminates when the EOT specified number of sectors has not been read. If the FDC does not find an ID Address Mark on the diskette after the second occurrence of a pulse on the IDX pin, then it sets the IC code in Status Register 0 to "01" (abnormal termination), sets the MA bit in Status Register 1 to "1", and terminates the command.

Table 51 - Result Phase Table

MT	HEAD	FINAL SECTOR TRANSFERRED TO HOST	ID INFORMATION AT RESULT PHASE			
			C	H	R	N
0	0	Less than EOT	NC	NC	R + 1	NC
		Equal to EOT	C + 1	NC	01	NC
	1	Less than EOT	NC	NC	R + 1	NC
		Equal to EOT	C + 1	NC	01	NC
1	0	Less than EOT	NC	NC	R + 1	NC
		Equal to EOT	NC	LSB	01	NC
	1	Less than EOT	NC	NC	R + 1	NC
		Equal to EOT	C + 1	LSB	01	NC

NC: No Change, the same value as the one at the beginning of command execution.

LSB: Least Significant Bit, the LSB of H is complemented.

5.7.4 WRITE DATA

After the Write Data command has been issued, the FDC loads the head (if it is in the unloaded state), waits the specified head load time if unloaded (defined in the Specify command), and begins reading ID fields. When the sector address read from the diskette matches the sector address specified in the command, the FDC reads the data from the host via the FIFO and writes it to the sector's data field.

After writing data into the current sector, the FDC computes the CRC value and writes it into the CRC field at the end of the sector transfer. The Sector Number stored in "R" is incremented by one, and the FDC continues writing to the next data field. The FDC continues this "Multi-Sector Write Operation". Upon receipt of a terminal count signal or if a FIFO over/under run occurs while a data field is being written, then the remainder of the data field is filled with zeros.

The FDC reads the ID field of each sector and checks the CRC bytes. If it detects a CRC error in one of the ID fields, it sets the IC code in Status Register 0 to "01" (abnormal termination), sets the DE bit of Status Register 1 to "1", and terminates the Write Data command.

The Write Data command operates in much the same manner as the Read Data command. The following items are the same. Please refer to the Read Data Command for details:

Transfer Capacity

EN (End of Cylinder) bit

ND (No Data) bit

Head Load, Unload Time Interval

ID information when the host terminates the command

Definition of DTL when N = 0 and when N does not = 0

5.7.5 WRITE DELETED DATA

This command is almost the same as the Write Data command except that a Deleted Data Address Mark is written at the beginning of the Data Field instead of the normal Data Address Mark. This command is typically used to mark a bad sector containing an error on the floppy disk.

5.7.6 VERIFY

The Verify command is used to verify the data stored on a disk. This command acts exactly like a Read Data command except that no data is transferred to the host. Data is read from the disk and CRC is computed and checked against the previously stored value.

Because data is not transferred to the host, TC cycle cannot be used to terminate this command. By setting the EC bit to "1", an implicit TC will be issued to the FDC. This implicit TC occurs when the SC value decrements to 0 (an SC value of 0 will verify 256 sectors). This command can also be terminated by setting the EC bit to "0" and the EOT value equal to the final sector to be checked. If EC is set to "0", DTL/SC should be programmed to 0FFH. Refer to **Table 54** and **Table 55** for information concerning the values of MT and EC versus SC and EOT value.

Definitions:

Sectors Per Side = Number of formatted sectors per each side of the disk.

Sectors Remaining = Number of formatted sectors left which can be read, including side 1 of the disk if MT is set to "1".

Table 52 - Verify Command Result Phase Table

MT	EC	SC/EOT VALUE	TERMINATION RESULT
0	0	SC = DTL EOT ≤ # Sectors Per Side	Success Termination Result Phase Valid
0	0	SC = DTL EOT > # Sectors Per Side	Unsuccessful Termination Result Phase Invalid
0	1	SC ≤ # Sectors Remaining AND EOT ≤ # Sectors Per Side	Successful Termination Result Phase Valid
0	1	SC > # Sectors Remaining OR EOT > # Sectors Per Side	Unsuccessful Termination Result Phase Invalid
1	0	SC = DTL EOT ≤ # Sectors Per Side	Successful Termination Result Phase Valid
1	0	SC = DTL EOT > # Sectors Per Side	Unsuccessful Termination Result Phase Invalid
1	1	SC ≤ # Sectors Remaining AND EOT ≤ # Sectors Per Side	Successful Termination Result Phase Valid
1	1	SC > # Sectors Remaining OR EOT > # Sectors Per Side	Unsuccessful Termination Result Phase Invalid

Note: If MT is set to "1" and the SC value is greater than the number of remaining formatted sectors on Side 0, verifying will continue on Side 1 of the disk.

5.7.7 FORMAT A TRACK

The Format command allows an entire track to be formatted. After a pulse from the IDX pin is detected, the FDC starts writing data on the disk including gaps, address marks, ID fields, and data fields per the IBM System 34 or 3740 format (MFM or FM respectively). The particular values that will be written to the gap and data field are controlled by the values programmed into N, SC, GPL, and D which are specified by the host during the command phase. The data field of the sector is filled with the data byte specified by D. The ID field for each sector is supplied by the host; that is, four data bytes per sector are needed by the FDC for C, H, R, and N (cylinder, head, sector number and sector size respectively).

After formatting each sector, the host must send new values for C, H, R and N to the FDC for the next sector on the track. The R value (sector number) is the only value that must be changed by the host after each sector is formatted. This allows the disk to be formatted with nonsequential sector addresses (interleaving). This incrementing and formatting continues for the whole track until the FDC encounters a pulse on the IDX pin again and it terminates the command.

Table 57 contains typical values for gap fields which are dependent upon the size of the sector and the number of sectors on each track. Actual values can vary due to drive electronics.

Table 53 - Diskette Format Fields

SYSTEM 34 (DOUBLE DENSITY) FORMAT

GAP4 a 80x 4E	SYN C 12x 00	IAM		GAP 1 50x 4E	SYN C 12x 00	IDAM		C Y L	H D	S E C	N O C	R C	GAP 2 22x 4E	SYN C 12x 00	DATA AM		DAT A	C R C	GAP 3	GAP 4b
		3x C2	FC			3x A1	FE								3x A1	FB F8				

SYSTEM 3740 (SINGLE DENSITY) FORMAT

GAP4 a 40x FF	SYN C 6x 00	IAM		GAP 1 26x FF	SYN C 6x 00	IDAM		C Y L	H D	S E C	N O C	R C	GAP 2 11x FF	SYN C 6x 00	DATA AM		DAT A	C R C	GAP 3	GAP 4b
		FC				FE									FB or F8					

PERPENDICULAR FORMAT

GAP4 a 80x 4E	SYN C 12x 00	IAM		GAP 1 50x 4E	SYN C 12x 00	IDAM		C Y L	H D	S E C	N O C	R C	GAP 2 41x 4E	SYN C 12x 00	DATA AM		DAT A	C R C	GAP 3	GAP 4b
		3x C2	FC			3x A1	FE								3x A1	FB F8				

Table 54 - Typical Values for Formatting

	FORMAT	SECTOR SIZE	N	SC	GPL1	GPL2
5.25" Drives	FM	128	00	12	07	09
		128	00	10	10	19
		512	02	08	18	30
		1024	03	04	46	87
		2048	04	02	C8	FF
		4096	05	01	C8	FF

	MFM	256	01	12	0A	0C
		256	01	10	20	32
		512*	02	09	2A	50
1024		03	04	80	F0	
2048		04	02	C8	FF	
4096		05	01	C8	FF	
...	
3.5" Drives	FM	128	0	0F	07	1B
		256	1	09	0F	2A
		512	2	05	1B	3A
	MFM	256	1	0F	0E	36
		512**	2	09	1B	54
		1024	3	05	35	74

GPL1 = suggested GPL values in Read and Write commands to avoid splice point between data field and ID field of contiguous sections.

GPL2 = suggested GPL value in Format A Track command. *PC/AT values (typical)

**PS/2 values (typical). Applies with 1.0 MB and 2.0 MB drives.

Note: All values except sector size are in hex.

5.8 FDC CONTROL COMMANDS

Control commands differ from the other commands in that no data transfer takes place. Three commands generate an interrupt when complete: Read ID, Recalibrate, and Seek. The other control commands do not generate an interrupt.

5.8.1 READ ID

The Read ID command is used to find the present position of the recording heads. The FDC stores the values from the first ID field it is able to read into its registers. If the FDC does not find an ID address mark on the diskette after the second occurrence of a pulse on the nINDEX pin, it then sets the IC code in Status Register 0 to "01" (abnormal termination), sets the MA bit in Status Register 1 to "1", and terminates the command.

The following commands will generate an interrupt upon completion. They do not return any result bytes. It is highly recommended that control commands be followed by the Sense Interrupt Status command. Otherwise, valuable interrupt status information will be lost.

5.8.2 RECALIBRATE

This command causes the read/write head within the FDC to retract to the track 0 position. The FDC clears the contents of the PCN counter and checks the status of the nTR0 pin from the FDD. As long as the nTR0 pin is low, the DIR pin remains 0 and step pulses are issued. When the nTR0 pin goes high, the SE bit in Status Register 0 is set to "1" and the command is terminated. If the nTR0 pin is still low after 79 step pulses have been issued, the FDC sets the SE and the EC bits of Status Register 0 to "1" and terminates the command. Disks capable of handling more than 80 tracks per side may require more than one Recalibrate command to return the head back to physical Track 0.

The Recalibrate command does not have a result phase. The Sense Interrupt Status command must be issued after the Recalibrate command to effectively terminate it and to provide verification of the head position (PCN). During the command phase of the recalibrate operation, the FDC is in the BUSY state, but during the execution phase it is in a NON-BUSY state. At this time, another Recalibrate command may be issued, and in this manner parallel Recalibrate operations may be done on up to four drives at once.

Upon power up, the software must issue a Recalibrate command to properly initialize all drives and the controller.

5.8.3 SEEK

The read/write head within the drive is moved from track to track under the control of the Seek command. The FDC compares the PCN, which is the current head position, with the NCN and performs the following operation if there is a difference:

PCN < NCN: Direction signal to drive set to "1" (step in) and issues step pulses.

PCN > NCN: Direction signal to drive set to "0" (step out) and issues step pulses.

The rate at which step pulses are issued is controlled by SRT (Stepping Rate Time) in the Specify command. After each step pulse is issued, NCN is compared against PCN, and when NCN = PCN the SE bit in Status Register 0 is set to "1" and the command is terminated.

During the command phase of the seek or recalibrate operation, the FDC is in the BUSY state, but during the execution phase it is in the NON-BUSY state. At this time, another Seek or Recalibrate command may be issued, and in this manner, parallel seek operations may be done on up to four drives at once.

Note that if implied seek is not enabled, the read and write commands should be preceded by:

Seek command - Step to the proper track

Sense Interrupt Status command - Terminate the Seek command

Read ID - Verify head is on proper track

Issue Read/Write command.

The Seek command does not have a result phase. Therefore, it is highly recommended that the Sense Interrupt Status command be issued after the Seek command to terminate it and to provide verification of the head position (PCN). The H bit (Head Address) in ST0 will always return to a "0". When exiting POWERDOWN mode, the FDC clears the PCN value and the status information to zero. Prior to issuing the POWERDOWN command, it is highly recommended that the user service all pending interrupts through the Sense Interrupt Status command.

5.8.4 SENSE INTERRUPT STATUS

An interrupt signal on the FDC is generated for one of the following reasons:

Upon entering the Result Phase of:

Read Data command

Read A Track command

Read ID command

Read Deleted Data command

Write Data command

Format A Track command

Write Deleted Data command

Verify command

End of Seek, Relative Seek, or Recalibrate command

FDC requires a data transfer during the execution phase in the non-DMA mode

The Sense Interrupt Status command resets the interrupt signal and, via the IC code and SE bit of Status Register 0, identifies the cause of the interrupt.

Table 55 - Interrupt Identification

SE	IC	INTERRUPT DUE TO
0	11	Polling
1	00	Normal termination of Seek or Recalibrate command
1	01	Abnormal termination of Seek or Recalibrate command

The Seek, Relative Seek, and Recalibrate commands have no result phase. The Sense Interrupt Status command must be issued immediately after these commands to terminate them and to provide verification of the head position (PCN). The H (Head Address) bit in ST0 will always return a "0". If a Sense Interrupt Status is not issued, the drive will continue to be BUSY and may affect the operation of the next command.

5.8.5 SENSE DRIVE STATUS

Sense Drive Status obtains drive status information. It has no execution phase and goes directly to the result phase from the command phase. Status Register 3 contains the drive status information.

5.8.6 SPECIFY

The Specify command sets the initial values for each of the three internal times. The HUT (Head Unload Time) defines the time from the end of the execution phase of one of the read/write commands to the head unload state. The SRT (Step Rate Time) defines the time interval between adjacent step pulses. Note that the spacing between the first and second step pulses may be shorter than the remaining step pulses. The HLT (Head Load Time) defines the time between when the Head Load signal goes high and the read/write operation starts. The values change with the data rate speed selection and are documented in Table 56 - Drive Control Delays (ms). The values are the same for MFM and FM.

Table 56 - Drive Control Delays (MS)

	HUT					SRT				
	2M	1M	500K	300K	250K	2M	1M	500K	300K	250K
0	64	128	256	426	512	4	8	16	26.7	32
1	4	8	16	26.7	32	3.75	7.5	15	25	30
..
E	56	112	224	373	448	0.5	1	2	3.33	4
F	60	120	240	400	480	0.25	0.5	1	1.67	2

	HLT				
	2M	1M	500K	300K	250K
00	64	128	256	426	512
01	0.5	1	2	3.3	4
02	1	2	4	6.7	8
..
7F	63	126	252	420	504
7F	63.5	127	254	423	508

The choice of DMA or non-DMA operations is made by the ND bit. When this bit is "1", the non-DMA mode is selected, and when ND is "0", the DMA mode is selected. In DMA mode, data transfers are signalled by the DMA request cycles. Non-DMA mode uses the RQM bit and the interrupt to signal data transfers.

5.8.7 CONFIGURE

The Configure command is issued to select the special features of the FDC. A Configure command need not be issued if the default values of the FDC meet the system requirements.

Configure Default Values:

EIS - No Implied Seeks

EFIFO - FIFO Disabled

POLL - Polling Enabled

FIFOTHR - FIFO Threshold Set to 1 Byte

PRETRK - Pre-Compensation Set to Track 0

EIS - Enable Implied Seek. When set to "1", the FDC will perform a Seek operation before executing a read or write command. Defaults to no implied seek.

EFIFO - A "1" disables the FIFO (default). This means data transfers are asked for on a byte-by-byte basis. Defaults to "1", FIFO disabled. The threshold defaults to "1".

POLL - Disable polling of the drives. Defaults to "0", polling enabled. When enabled, a single interrupt is generated after a reset. No polling is performed while the drive head is loaded and the head unload delay has not expired.

FIFOTHR - The FIFO threshold in the execution phase of read or write commands. This is programmable from 1 to 16 bytes. Defaults to one byte. A "00" selects one byte; "0F" selects 16 bytes.

PRETRK - Pre-Compensation Start Track Number. Programmable from track 0 to 255. Defaults to track 0. A "00" selects track 0; "FF" selects track 255.

5.8.8 VERSION

The Version command checks to see if the controller is an enhanced type or the older type (765A). A value of 90 H is returned as the result byte.

5.8.9 RELATIVE SEEK

The command is coded the same as for Seek, except for the MSB of the first byte and the DIR bit.

DIR	ACTION
0	Step Head Out
1	Step Head In

DIR Head Step Direction Control

RCN Relative Cylinder Number that determines how many tracks to step the head in or out from the current track number.

The Relative Seek command differs from the Seek command in that it steps the head the absolute number of tracks specified in the command instead of making a comparison against an internal register. The Seek command is good for drives that support a maximum of 256 tracks. Relative Seeks cannot be overlapped with other Relative Seeks. Only one Relative Seek can be active at a time. Relative Seeks may be overlapped with Seeks and Recalibrates. Bit 4 of Status Register 0 (EC) will be set if Relative Seek attempts to step outward beyond Track 0.

As an example, assume that a floppy drive has 300 useable tracks. The host needs to read track 300 and the head is on any track (0-255). If a Seek command is issued, the head will stop at track 255. If a Relative Seek command is issued, the FDC will move the head the specified number of tracks, regardless of the internal cylinder position register (but will increment the register). If the head was on track 40 (d), the maximum track that the FDC could position the head on using Relative Seek will be 295 (D), the initial track + 255 (D). The maximum count that the head can be moved with a single Relative Seek command is 255 (D).

The internal register, PCN, will overflow as the cylinder number crosses track 255 and will contain 39 (D). The resulting PCN value is thus $(RCN + PCN) \text{ mod } 256$. Functionally, the FDC starts counting from 0 again as the track number goes above 255 (D). It is the user's responsibility to compensate FDC functions (precompensation track number) when accessing tracks greater than 255. The FDC does not keep track that it is working in an "extended track area" (greater than 255). Any command issued will use the current PCN value except for the Recalibrate command, which only looks for the TRACK0 signal. Recalibrate will return an error if the head is farther than 79 due to its limitation of issuing a maximum of 80 step pulses. The user simply needs to issue a second Recalibrate command. The Seek command and implied seeks will function correctly within the 44 (D) track (299-255) area of the "extended track area". It is the user's responsibility not to issue a new track position that will exceed the maximum track that is present in the extended area.

To return to the standard floppy range (0-255) of tracks, a Relative Seek should be issued to cross the track 255 boundary.

A Relative Seek can be used instead of the normal Seek, but the host is required to calculate the difference between the current head location and the new (target) head location. This may require the host to issue a Read ID command to ensure that the head is physically on the track that software assumes it to be. Different FDC commands will return different cylinder results that may be difficult to keep track of with software without the Read ID command.

5.8.10 PERPENDICULAR MODE

The Perpendicular Mode command should be issued prior to executing Read/Write/Format commands that access a disk drive with perpendicular recording capability. With this command, the length of the Gap2 field and VCO enable timing can be altered to accommodate the unique requirements of these drives.

Table 69 - UART Baud Rates, describes the effects of the WGATE and GAP bits for the Perpendicular Mode command. Upon a reset, the FDC will default to the conventional mode (WGATE = 0, GAP = 0).

Selection of the 500 Kbps and 1 Mbps perpendicular modes is independent of the actual data rate selected in the Data Rate Select Register. The user must ensure that these two data rates remain consistent.

The Gap2 and VCO timing requirements for perpendicular recording type drives are dictated by the design of the read/write head. In the design of this head, a pre-erase head precedes the normal read/write head by a distance of 200 micrometers. This works out to about 38 bytes at a 1 Mbps recording density. Whenever the write head is enabled by the Write Gate signal, the pre-erase head is also activated at the same time. Thus, when the write head is initially turned on, flux transitions recorded on the media for the first 38 bytes will not be preconditioned with the pre-erase head since it has not yet been activated. To accommodate this head activation and deactivation time, the

Gap2 field is expanded to a length of 41 bytes. The format field illustrates the change in the Gap2 field size for the perpendicular format.

On the read back by the FDC, the controller must begin synchronization at the beginning of the sync field. For the conventional mode, the internal PLL VCO is enabled (VCOEN) approximately 24 bytes from the start of the Gap2 field. But, when the controller operates in the 1 Mbps perpendicular mode (WGATE = 1, GAP = 1), VCOEN goes active after 43 bytes to accommodate the increased Gap2 field size. For both cases, and approximate two-byte cushion is maintained from the beginning of the sync field for the purposes of avoiding write splices in the presence of motor speed variation.

For the Write Data case, the FDC activates Write Gate at the beginning of the sync field under the conventional mode. The controller then writes a new sync field, data address mark, data field, and CRC. With the pre-erase head of the perpendicular drive, the write head must be activated in the Gap2 field to insure a proper write of the new sync field. For the 1 Mbps perpendicular mode (WGATE = 1, GAP = 1), 38 bytes will be written in the Gap2 space. Since the bit density is proportional to the data rate, 19 bytes will be written in the Gap2 field for the 500 Kbps perpendicular mode (WGATE = 1, GAP = 0). It should be noted that none of the alterations in Gap2 size, VCO timing, or Write Gate timing affect normal program flow. The information provided here is just for background purposes and is not needed for normal operation. Once the Perpendicular Mode command is invoked, FDC software behavior from the user standpoint is unchanged.

The perpendicular mode command is enhanced to allow specific drives to be designated Perpendicular recording drives. This enhancement allows data transfers between Conventional and Perpendicular drives without having to issue Perpendicular mode commands between the accesses of the different drive types, nor having to change write pre-compensation values.

When both GAP and WGATE bits of the PERPENDICULAR MODE COMMAND are both programmed to "0" (Conventional mode), then D0, D1, D2, D3, and D4 can be programmed independently to "1" for that drive to be set automatically to Perpendicular mode. In this mode the following set of conditions also apply:

The GAP2 written to a perpendicular drive during a write operation will depend upon the programmed data rate.

The write pre-compensation given to a perpendicular mode drive will be 0ns.

For D0-D3 programmed to "0" for conventional mode drives any data written will be at the currently programmed write pre-compensation.

Note: Bits D0-D3 can only be overwritten when OW is programmed as a "1". If either GAP or WGATE is a "1" then D0-D3 are ignored.

Software and hardware resets have the following effect on the PERPENDICULAR MODE COMMAND:

"Software" resets (via the DOR or DSR registers) will only clear GAP and WGATE bits to "0". D0-D3 are unaffected and retain their previous value.

"Hardware" resets will clear all bits (GAP, WGATE and D0-D3) to "0", i.e all conventional mode.

Table 57 - Effects of WGATE and GAP Bits

WGATE	GAP	MODE	LENGTH OF GAP2 FORMAT FIELD	PORTION OF GAP 2 WRITTEN BY WRITE DATA OPERATION
0	0	Conventional	22 Bytes	0 Bytes
0	1	Perpendicular (500 Kbps)	22 Bytes	19 Bytes
1	0	Reserved (Conventional)	22 Bytes	0 Bytes
1	1	Perpendicular (1 Mbps)	41 Bytes	38 Bytes

5.8.11 LOCK

In order to protect systems with long DMA latencies against older application software that can disable the FIFO the LOCK Command has been added. This command should only be used by the FDC routines, and application software should refrain from using it. If an application calls for the FIFO to be disabled then the CONFIGURE command should be used. The LOCK command defines whether the EFIFO, FIFOTHR, and PRETRK parameters of the CONFIGURE command can be RESET by the DOR and DSR registers. When the LOCK bit is set to logic "1" all

subsequent "software RESETS by the DOR and DSR registers will not change the previously set parameters to their default values. All "hardware" RESET from the RESET pin will set the LOCK bit to logic "0" and return the EFIFO, FIFOTHR, and PRETRK to their default values. A status byte is returned immediately after issuing a LOCK command. This byte reflects the value of the LOCK bit set by the command byte.

5.8.12 ENHANCED DUMPREG

The DUMPREG command is designed to support system run-time diagnostics and application software development and debug. To accommodate the LOCK command and the enhanced PERPENDICULAR MODE command the eighth byte of the DUMPREG command contains the data from these two commands.

5.9 COMPATIBILITY

The LPC47N252 was designed with software compatibility in mind. It is a fully backwards-compatible solution with the older generation 765A/B disk controllers. The FDC also implements on-board registers for compatibility with the PS/2, as well as PC/AT and PC/XT, FDC subsystems. After a hardware reset of the FDC, all registers, functions and enhancements default to a PC/AT, PS/2 or PS/2 Model 30 compatible operating mode, depending on how the IDENT and MFM bits are configured by the system BIOS.

5.9.1 PARALLEL PORT FDC

Refer to section 9.3.3, PPPI FDC Mode on page 112.

5.9.2 HOT SWAPPABLE FDD CAPABILITY

The FDC output pins will tri-state whenever the FDC Logical Device is powered-down or not activated. In addition setting bit 7 of the FDD Mode Configuration register (LD0_CRF0) will tri-state the FDC output pins. Bit 7 only affects the standard FDC interface, it has no effect on the Parallel Port Floppy Interface.

The following table illustrates the state of the FDC and Parallel Port FDC pins for combinations of 1) the FDC Output Control bit; 2) the Activate bit; and 3) the FDC powerdown state.

Table 58 - FDC Hot Swapping State Of The FDC And Parallel Port FDC Pins

FDD MODE REGISTER, BIT[7]	ACTIVATE BIT	FDC IN POWER DOWN	FDC PINS	PARALLEL PORT FDC PINS
X	0	X	Hi-Z	Hi-Z
X	1	Y	Hi-Z	Hi-Z
0	1	N	Active	Active
1	1	N	Hi-Z	Active

When the FDC is disabled, powered down or inactive the FDC output pins will tri-state allowing 'hot-swapping' of the Floppy Disk Drive. The following table lists the five control/configuration mechanisms that power down or deactivate the FDC logical device.

Table 59 - FDC Hot Swapping Mechanisms

MECHANISM	FDC OUTPUT PINS STATE				
	Tri-State	Tri-State	Tri-State	Tri-State (Note 1)	Tri-State (Note 2)
<u>FDC Logical Dev Activate bit</u> =0: FDC LD deactivated =1: FDC LD activated Refer to the description of the FDC Logical Device Configuration register 0x30 in the Configuration section of the LPC47N252 Specification.	0	X	1	1	1

MECHANISM	FDC OUTPUT PINS STATE				
<u>FDC Logical Dev Base Address</u> 0x100 ≤ Base ≤ 0x0FF8: FDC LD Base Address Valid. 0xFFF < Base < 0x100: FDC LD Base Address Invalid. Refer to the description of the FDC Base I/O Address registers in the Configuration section of the LPC47N252 Specification.	X	INVALID BASE ADDRESS	VALID BASE ADDRESS	VALID BASE ADDRESS	VALID BASE ADDRESS
<u>GCR 0x22 bit-0 (FDC Power)</u> =0: Power Off =1: Power On Refer to the description of the Global Config Register 0x22 in the Configuration section of the LPC47N252 Specification.	X	X	0	1	1
<u>DSR, bit-6 (pwr down)</u> =0: Normal Run =1: Manual Pwr down Refer to the description of the DSR in the FDC section of any SMSC Super or Ultra I/O data sheet.	X	X	X	1	0
<u>GCR 0x23 bit-0 (FDC auto power management)</u> =1: Pwr Mngnt on =0: Pwr Mngnt off Refer to the description of the Global Config Register 0x23 in the Configuration section of the LPC47N252 Specification.	X	X	X	X	1

Note: FDC Output pins = nWDATA, DRV DEN0, nHDSELM nWGATE, nDIR, nSTEP, nDS1, nDS0, nMTR0, nMTR1.

Note 1: DSR pwr down overrides auto pwr down.

Note 2: Outputs tri-state only if all of the required auto power down conditions are met, otherwise outputs are active. See Auto Power Management Section of the FDC37C93x Data Sheet.

5.10 FDC FORCE WRITE PROTECT

The LPC47N252 includes a Force Write Protect function for the floppy disk controller. Force Write Protect asserts the internal nWRTPRT input to the controller (Table 60 and **FIGURE 7**).

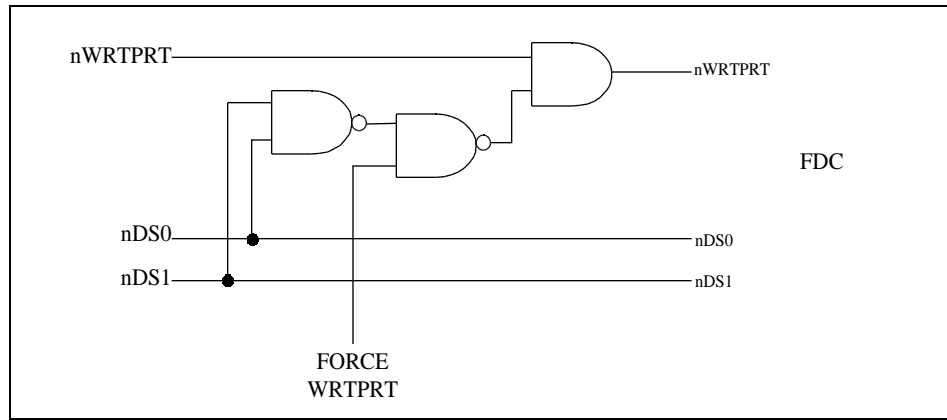


FIGURE 7 - FORCE WRITE PROTECT FUNCTION

Note: This figure is for illustration purposes only and is not intended to suggest specific implementation details.

The FORCE WRTPRT bit is D0 in the Disable register (see Section 11.8.3.1, Disable Register, on page 132.) The FORCE WRTPRT bit is active-high and set to “0” by default. The Force Write Protect function applies to the nWRTPRT input from the FDD Interface as well as the nWRTPRT input from the Parallel Port FDC.

Table 60 - Force WRTPRT Function

nWRTPRT (FDD PIN)	FORCE WRTPRT	nDS0	nDS1	nWRTPRT (FDC)	DESCRIPTION
0	X	X	X	0	Active nWRTPRT pin function is always enabled.
1	1	1	1	1	nWRTPRT function inactive.
1	0	1	1	1	
1	1	0	1	0	Enabled FORCE WRTPRT function overrides an inactive nWRTPRT pin.
1	1	1	0	0	

6 ACPI EMBEDDED CONTROLLER

ACPI defines a standard hardware and software communications interface between the OS and an embedded controller. This interface allows the OS to support a standard driver that can directly communicate with the embedded controller, allowing other drivers within the system to communicate with and use the EC resources; for example, Smart Battery and AML code (**FIGURE 8**).

The LPC47N252 contains an Embedded Controller Interface (ECI) to handle SCI Wake and Run-time event processing (**FIGURE 9**). The ECI is configured in Logical Device Number 8 in the LPC47N252 configuration register map and presents an 8042-style interface to the ISA host.

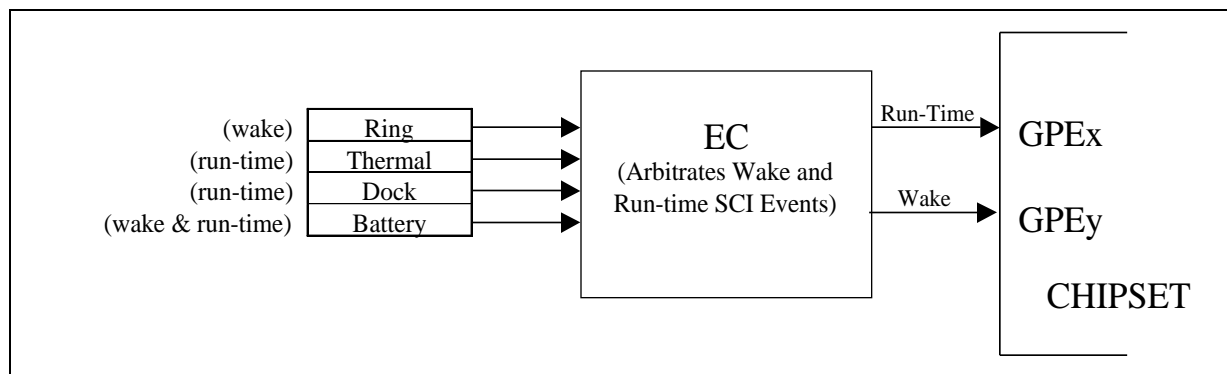


FIGURE 8 – EMBEDDED CONTROL (EC) ILLUSTRATION

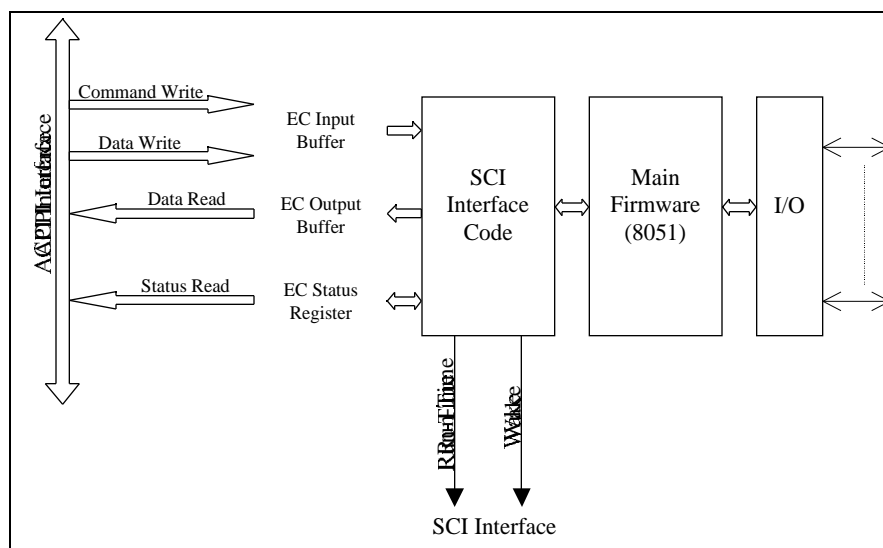


FIGURE 9 – GENERIC ACPI EC BLOCK DIAGRAM

6.1 ECI CONFIGURATION REGISTERS

The three device configuration registers in LDN8 provide ECI activation control and the base address for the ECI run-time registers (Table 61). Register 0x30 is the Activate register. The Activate register qualifies address decoding for the ECI; e.g., if the Activate bit D0 in the Activate register is "0", ECI addresses will not be decoded; if the Activate bit is "1", ECI addresses will be decoded depending on the values programmed in the ECI Primary Base Address registers. Registers 0x60 and 0x61 are the ECI Primary Base Address registers. Register 0x60 is the ECI Primary Base Address High Byte, register 0x61 is the ECI Primary Base Address Low Byte.

Note: Bits D0 and D2 in the ECI Primary Base Address Low Byte must be "0". For example, 0x62 is a valid ECI Base Address, while 0x66 is not a valid ECI Base Address. The valid ECI Primary Base Address range is 0x0000 – 0x0FFA.

Table 61 – ECI Configuration Registers (LDN8)

INDEX	TYPE	HARD RESET	SOFT RESET	VCC2 POR	VCC1 & VCC0 POR	DESCRIPTION							
						D7	D6	D5	D4	D3	D2	D1	D0
0x30	R/W	0x00	0x00	0x00	-	ACTIVATE							
						Reserved							Activate
0x60	R/W	0x00	0x00	0x00	-	ECI PRIMARY BASE ADDRESS HIGH BYTE							
						"0"	"0"	"0"	"0"	A11	A10	A9	A8
0x61	R/W	0x62	0x62	0x62	-	ECI PRIMARY BASE ADDRESS LOW BYTE ¹							
						A7	A6	A5	A4	A3	"0"	A1	"0"

Note¹: Bits D0 and D2 of the ECI Base Address Low Byte must be "0".

6.2 ECI RUNTIME REGISTERS

An ACPI-compliant ECI contains three registers: EC_COMMAND, EC_STATUS, and EC_DATA. The ECI registers occupy two addresses in the Host I/O space (**Table 62**).

The EC_DATA and EC_COMMAND registers appear as a single 8-bit data register in the 8051. The CMD bit in the EC_STATUS register is used by the 8051 to discriminate commands from data written by the host to the ECI. CMD is controlled by hardware: host writes to the EC_DATA register set CMD = "0"; host writes to the EC_COMMAND register set CMD = "1".

Descriptions of these registers follow in the sections below.

Table 62 – ECI Run-Time Registers

REGISTER NAME	ISA HOST INTERFACE		8051 INTERFACE			POWER PLANE	VCC1 POR	VCC2 POR
	HOST INDEX	HOST TYPE	CMD ¹	8051 INDEX (7F00+)	8051 TYPE			
EC_DATA	ECI Base Address	R/W	0	0x53	R/W	VCC1	-	-
EC_COMMAND	ECI Base Address + 4	W	1	0x53	R	VCC1	-	-
EC_STATUS	ECI Base Address + 4	R	-	0x54	R/W	VCC1	0x00	-

Note¹: CMD is bit D3 in the EC_STATUS register.

6.3 EC_STATUS REGISTER

The EC_STATUS register indicates the state of the Embedded Controller Interface. To the host, the EC_STATUS register is read-only. To the 8051, some bits in the EC_STATUS register are read-only (**Table 63**). These bits are controlled by hardware. The 8051 software controlled bits in the EC_STATUS register are read/write.

Table 63 – EC_Status Register

	D7	D6	D5	D4	D3	D2	D1	D0
HOST TYPE	R	R	R	R	R	R	R	R
8051 TYPE	R/W	R/W	R/W	R/W	R	R/W	R	R
NAME	UD ¹	SMI_EVT	SCI_EVT	BURST	CMD	UD ¹	IBF	OBF

Note¹: The UD bits are User-Defined. UD bits are maintained by 8051 software, only.

OBF Bit – D0

The Output Buffer Full (OBF) flag is set when the 8051 writes a byte of data into the data port (EC_DATA), but the host has not yet read it.

Once the host reads the status byte and sees the OBF flag set, the host reads the data port to get the byte of data that the 8051 has written.

Once the host reads the data, the OBF flag is automatically cleared by hardware. An EC_OBF interrupt signals the 8051 that the data has been read by the host and the 8051 is free to write more data to the EC_DATA register.

The EC_OBF interrupt is generated whenever the OBF bit in the EC_STATUS register is reset. The EC_OBF interrupt is routed to bit 3 in the INT0 SRC register (see Section 11.9.2 and

FIGURE 14 starting on page 136). The EC_OBF interrupt mask is bit 4 in the INT1 Mask register.

IBF Bit – D1

The Input Buffer Full (IBF) flag is set when the host has written a byte of data to the command or data port, but the 8051 has not yet read it.

An EC_IBF interrupt signals the 8051 that there is data available. Once the 8051 reads the status byte and sees the IBF flag set, the 8051 reads the data port to get the byte of data that the host has written.

Once the 8051 reads the data, the IBF flag is automatically cleared by hardware. The 8051 must then generate a software interrupt (SCI) to alert the host that the data has been read and that the host is free to write more data to the ECI as needed.

An EC_IBF interrupt is generated whenever the IBF bit in the EC_STATUS register is set. The EC_IBF interrupt is routed to bit 4 in the INT0 SRC register. The EC_IBF interrupt mask is bit 5 in the INT1 Mask register.

CMD Bit – D3

The CMD bit is “1” when the EC_DATA register contains a command byte; the CMD bit is “0” when the EC_DATA register contains a data byte.

The CMD bit is controlled by hardware: host writes to the EC_DATA register set CMD = “0”; host writes to the EC_COMMAND register set CMD = “1”.

The CMD bit allows the embedded controller to differentiate the start of a command sequence from a data byte write operation.

BURST Bit – D4

The BURST bit is “1” when the EC is in Burst Mode for polled command processing; the BURST bit is “0” when the EC is in Normal Mode for interrupt-driven command processing.

The BURST bit is an 8051-maintained software flag that indicates the embedded controller has received the Burst Enable command from the host, has halted normal processing, and is waiting for a series of commands to be sent from the host. Burst Mode allows the OS or system management handler to quickly read and write several bytes of data at a time without the overhead of SCIs between commands.

Note: the BURST bit is maintained by 8051 software, only.

SCI_EVT Bit – D5

The SCI Event flag SCI_EVT is “1” when an SCI event is pending; i.e., the 8051 is requesting an SCI query; SCI_EVT is “0” when no SCI events are pending.

The SCI_EVT bit is an 8051-maintained software flag that is set when the embedded controller has detected an internal event that requires operating system attention. The EC sets SCI_EVT before generating an SCI to the OS.

Note: the SCI_EVT bit is maintained by 8051 software, only.

SMI_EVT Bit – D6

The SMI Event flag SMI_EVT is “1” when an SMI event is pending; i.e., the 8051 is requesting an SMI query; SMI_EVT is “0” when no SMI events are pending.

The SMI_EVT bit is an 8051-maintained software flag that is set when the embedded controller has detected an internal event that requires system management interrupt handler attention. The EC sets SMI_EVT before generating an SMI.

Note: the SMI_EVT bit is maintained by 8051 software, only.

6.4 EC_COMMAND REGISTER

The EC_COMMAND register is a write-only register that allows the host to issue commands to the embedded controller.

Writes to the EC_COMMAND register are latched in the 8051 data register and the input buffer full flag is set in the EC_STATUS register. Writes to the EC_COMMAND register also cause the CMD bit to be set to "1" in the EC_STATUS register.

6.5 EC_DATA REGISTER

The EC_DATA register is a read/write register that allows the host to issue command arguments to the embedded controller and allows the OS to read data returned by the embedded controller.

Host writes to the EC_DATA register are latched in the 8051 data register and the input buffer full flag is set in the EC_STATUS register. Host writes to the EC_DATA register also cause the CMD bit to be reset to "0" in the EC_STATUS register.

Host reads from the EC_DATA register return data from the 8051 data register and clear the output buffer full flag in the EC_STATUS register.

7 SERIAL PORT (UART)

The LPC47N252 incorporates one full function UART. The UART is compatible with the NS16450, the 16450 ACE registers and the NS16C550A. The UART performs serial-to-parallel conversion on received characters and parallel-to-serial conversion on transmit characters. The data rates are independently programmable from 460.8K baud down to 50 baud. The character options are programmable for 1 start; 1, 1.5 or 2 stop bits; even, odd, sticky or no parity; and prioritized interrupts. The UART contains a programmable baud rate generator that is capable of dividing the input clock or crystal by a number from 1 to 65535. The UART is also capable of supporting the MIDI data rate. Refer to the Configuration Registers for information on disabling, power down and changing the base address of the UART. The interrupt from a UART is enabled by programming OUT2 of the UART to a logic "1". OUT2 being a logic "0" disables that UART's interrupt.

7.1 REGISTER DESCRIPTION

Addressing of the accessible registers of the Serial Port is shown below. The base addresses of the serial ports are defined by the configuration registers (see Configuration section). The Serial Port registers are located at sequentially increasing addresses above these base addresses. The LPC47N252 contains a serial port, which contains a register set as described below.

Table 64 - Addressing the Serial Port

DLAB*	A2	A1	A0	REGISTER NAME
0	0	0	0	Receive Buffer (read)
0	0	0	0	Transmit Buffer (write)
0	0	0	1	Interrupt Enable (read/write)
X	0	1	0	Interrupt Identification (read)
X	0	1	0	FIFO Control (write)
X	0	1	1	Line Control (read/write)
X	1	0	0	Modem Control (read/write)
X	1	0	1	Line Status (read/write)
X	1	1	0	Modem Status (read/write)
X	1	1	1	Scratchpad (read/write)
1	0	0	0	Divisor LSB (read/write)
1	0	0	1	Divisor MSB (read/write)

Note: DLAB is Bit 7 of the Line Control Register

The following section describes the operation of the registers.

7.1.1 RECEIVE BUFFER REGISTER (RB)

Address Offset = 0H, DLAB = 0, READ ONLY

This register holds the received incoming data byte. Bit 0 is the least significant bit, which is transmitted and received first. Received data is double buffered; this uses an additional shift register to receive the serial data stream and convert it to a parallel 8 bit word which is transferred to the Receive Buffer register. The shift register is not accessible.

7.1.2 TRANSMIT BUFFER REGISTER (TB)

Address Offset = 0H, DLAB = 0, WRITE ONLY

This register contains the data byte to be transmitted. The transmit buffer is double buffered, utilizing an additional shift register (not accessible) to convert the 8 bit data word to a serial format. This shift register is loaded from the Transmit Buffer when the transmission of the previous byte is complete.

7.1.3 INTERRUPT ENABLE REGISTER (IER)

Address Offset = 1H, DLAB = 0, READ/WRITE

The lower four bits of this register control the enables of the five interrupt sources of the Serial Port interrupt. It is possible to totally disable the interrupt system by resetting bits 0 through 3 of this register. Similarly, setting the appropriate bits of this register to a high, selected interrupts can be enabled. Disabling the interrupt system inhibits the Interrupt Identification Register and disables any Serial Port interrupt out of the LPC47N252. All other system functions operate in their normal manner, including the Line Status and MODEM Status Registers. The contents of the Interrupt Enable Register are described below.

BIT 0

This bit enables the Received Data Available Interrupt (and timeout interrupts in the FIFO mode) when set to logic "1".

BIT 1

This bit enables the Transmitter Holding Register Empty Interrupt when set to logic "1".

BIT 2

This bit enables the Received Line Status Interrupt when set to logic "1". The error sources causing the interrupt are Overrun, Parity, Framing and Break. The Line Status Register must be read to determine the source.

BIT 3

This bit enables the MODEM Status Interrupt when set to logic "1". This is caused when one of the Modem Status Register bits changes state.

BITS 4 - 7

These bits are always logic "0".

7.1.4 FIFO CONTROL REGISTER (FCR)

Address Offset = 2H, DLAB = X, WRITE

This is a write only register at the same location as the IIR. This register is used to enable and clear the FIFOs, set the RCVR FIFO trigger level. This write only register has a shadow register at MBX9Bh (see Table 204 – Mailbox Registers Interface on page 223.) Note: DMA is not supported.

BIT 0

Setting this bit to a logic "1" enables both the XMIT and RCVR FIFOs. Clearing this bit to a logic "0" disables both the XMIT and RCVR FIFOs and clears all bytes from both FIFOs. When changing from FIFO Mode to non-FIFO (16450) mode, data is automatically cleared from the FIFOs. This bit must be a 1 when other bits in this register are written to or they will not be properly programmed.

BIT 1

Setting this bit to a logic "1" clears all bytes in the RCVR FIFO and resets its counter logic to "0". The shift register is not cleared. This bit is self-clearing.

BIT 2

Setting this bit to a logic "1" clears all bytes in the XMIT FIFO and resets its counter logic to "0". The shift register is not cleared. This bit is self-clearing.

BIT 3

Writing to this bit has no effect on the operation of the UART. The RXRDY and TXRDY pins are not available on this chip.

BITS 4 and 5

Reserved

BITS 6 and 7

These bits are used to set the trigger level for the RCVR FIFO interrupt.

Table 65 - RCVR FIFO Trigger Level

		RCVR FIFO
BIT 7	BIT 6	TRIGGER LEVEL (BYTES)
0	0	1
0	1	4
1	0	8
1	1	14

7.1.5 INTERRUPT IDENTIFICATION REGISTER (IIR)

Address Offset = 2H, DLAB = X, READ

By accessing this register, the host CPU can determine the highest priority interrupt and its source. Four levels of priority interrupt exist. They are in descending order of priority:

Receiver Line Status (highest priority)

Received Data Ready

Transmitter Holding Register Empty

MODEM Status (lowest priority)

Information indicating that a prioritized interrupt is pending and the source of that interrupt is stored in the Interrupt Identification Register (refer to Interrupt Control Table). When the CPU accesses the IIR, the Serial Port freezes all interrupts and indicates the highest priority pending interrupt to the CPU. During this CPU access, even if the Serial Port records new interrupts, the current indication does not change until access is completed. The contents of the IIR are described below.

BIT 0

This bit can be used in either a hardwired prioritized or polled environment to indicate whether an interrupt is pending. When bit 0 is a logic "0", an interrupt is pending and the contents of the IIR may be used as a pointer to the appropriate internal service routine. When bit 0 is a logic "1", no interrupt is pending.

BITS 1 and 2

These two bits of the IIR are used to identify the highest priority interrupt pending as indicated by Table 66 - Interrupt Control Table.

BIT 3

In non-FIFO mode, this bit is a logic "0". In FIFO mode this bit is set along with bit 2 when a timeout interrupt is pending.

BITS 4 and 5

These bits of the IIR are always logic "0".

BITS 6 and 7

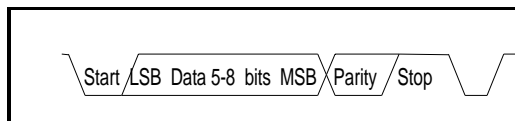
These two bits are set when the FIFO CONTROL Register bit 0 equals 1.

Table 66 - Interrupt Control Table

FIFO MODE ONLY	INTERRUPT IDENTIFICATION REGISTER			INTERRUPT SET AND RESET FUNCTIONS			
	BIT 3	BIT 2	BIT 1	BIT 0	PRIORITY LEVEL	INTERRUPT TYPE	INTERRUPT SOURCE
0	0	0	1	-	None	None	-
0	1	1	0	Highest	Receiver Line Status	Overrun Error, Parity Error, Framing Error or Break Interrupt	Reading the Line Status Register
0	1	0	0	Second	Received Data Available	Receiver Data Available	Read Receiver Buffer or the FIFO drops below the trigger level.
1	1	0	0	Second	Character Timeout Indication	No Characters Have Been Removed From or Input to the RCVR FIFO during the last 4 Char times and there is at least 1 char in it during this time	Reading the Receiver Buffer Register
0	0	1	0	Third	Transmitter Holding Register Empty	Transmitter Holding Register Empty	Reading the IIR Register (if Source of Interrupt) or Writing the Transmitter Holding Register
0	0	0	0	Fourth	MODEM Status	Clear to Send or Data Set Ready or Ring Indicator or Data Carrier Detect	Reading the MODEM Status Register

7.1.6 LINE CONTROL REGISTER (LCR)

Address Offset = 3H, DLAB = 0, READ/WRITE



This register contains the format information of the serial line. The bit definitions are:

BITS 0 and 1

These two bits specify the number of bits in each transmitted or received serial character. The encoding of bits 0 and 1 is as follows:

Table 67 - Serial Character

BIT 1	BIT 0	WORD LENGTH
0	0	5 Bits
0	1	6 Bits
1	0	7 Bits
1	1	8 Bits

The Start, Stop and Parity bits are not included in the word length.

BIT 2

This bit specifies the number of stop bits in each transmitted or received serial character. The following table summarizes the information.

Table 68 - Stop Bits

BIT 2	WORD LENGTH	NUMBER OF STOP BITS
0	--	1
1	5 bits	1.5
1	6 bits	2
1	7 bits	2
1	8 bits	2

Note: The receiver will ignore all stop bits beyond the first, regardless of the number used in transmitting.

BIT 3

Parity Enable bit. When bit 3 is a logic "1", a parity bit is generated (transmit data) or checked (receive data) between the last data word bit and the first stop bit of the serial data. (The parity bit is used to generate an even or odd number of 1s when the data word bits and the parity bit are summed).

BIT 4

Even Parity Select bit. When bit 3 is a logic "1" and bit 4 is a logic "0", an odd number of logic "1"s is transmitted or checked in the data word bits and the parity bit. When bit 3 is a logic "1" and bit 4 is a logic "1" an even number of bits is transmitted and checked.

BIT 5

Stick Parity bit. When parity is enabled it is used in conjunction with bit 4 to select Mark or Space Parity. When LCR bits 3, 4 and 5 are 1 the Parity bit is transmitted and checked as a 0 (Space Parity). If bits 3 and 5 are 1 and bit 4 is a 0, then the Parity bit is transmitted and checked as 1 (Mark Parity). If bit 5 is 0 Stick Parity is disabled. Bit 3 is a logic "1" and bit 5 is a logic "1", the parity bit is transmitted and then detected by the receiver in the opposite state indicated by bit 4.

BIT 6

Set Break Control bit. When bit 6 is a logic "1", the transmit data output (TXD) is forced to the Spacing or logic "0" state and remains there (until reset by a low level bit 6) regardless of other transmitter activity. This feature enables the Serial Port to alert a terminal in a communications system.

BIT 7

Divisor Latch Access Bit (DLAB). It must be set high (logic "1") to access the Divisor Latches of the Baud Rate Generator during read or write operations. It must be set low (logic "0") to access the Receiver Buffer Register, the Transmitter Holding Register, or the Interrupt Enable Register.

7.1.7 MODEM CONTROL REGISTER (MCR)

Address Offset = 4H, DLAB = X, READ/WRITE

This 8 bit register controls the interface with the MODEM or data set (or device emulating a MODEM). The contents of the MODEM control register are described below.

BIT 0

This bit controls the Data Terminal Ready (nDTR) output. When bit 0 is set to a logic "1", the nDTR output is forced to a logic "0". When bit 0 is a logic "0", the nDTR output is forced to a logic "1".

BIT 1

This bit controls the Request To Send (nRTS) output. Bit 1 affects the nRTS output in a manner identical to that described above for bit 0.

BIT 2

This bit controls the Output 1 (OUT1) bit. This bit does not have an output pin and can only be read or written by the CPU.

BIT 3

Output 2 (OUT2). This bit is used to enable an UART interrupt. When OUT2 is a logic "0", the serial port interrupt output is forced to a high impedance state - disabled. When OUT2 is a logic "1", the serial port interrupt outputs are enabled.

BIT 4

This bit provides the loopback feature for diagnostic testing of the Serial Port. When bit 4 is set to logic "1", the following occur:

The TXD is set to the Marking State(logic "1").

The receiver Serial Input (RXD) is disconnected.

The output of the Transmitter Shift Register is "looped back" into the Receiver Shift Register input.

All MODEM Control inputs (nCTS, nDSR, nRI and nDCD) are disconnected.

The four MODEM Control outputs (nDTR, nRTS, OUT1 and OUT2) are internally connected to the four MODEM Control inputs (nDSR, nCTS, RI, DCD).

The Modem Control output pins are forced inactive high.

Data that is transmitted is immediately received.

This feature allows the processor to verify the transmit and receive data paths of the Serial Port. In the diagnostic mode, the receiver and the transmitter interrupts are fully operational. The MODEM Control Interrupts are also operational but the interrupts' sources are now the lower four bits of the MODEM Control Register instead of the MODEM Control inputs. The interrupts are still controlled by the Interrupt Enable Register.

BITS 5 - 7

These bits are permanently set to logic zero.

7.1.8 LINE STATUS REGISTER (LSR)

Address Offset = 5H, DLAB = X, READ/WRITE

BIT 0

Data Ready (DR). It is set to a logic "1" whenever a complete incoming character has been received and transferred into the Receiver Buffer Register or the FIFO. Bit 0 is reset to a logic "0" by reading all of the data in the Receive Buffer Register or the FIFO.

BIT 1

Overflow Error (OE). Bit 1 indicates that data in the Receiver Buffer Register was not read before the next character was transferred into the register, thereby destroying the previous character. In FIFO mode, an overflow error will occur only when the FIFO is full and the next character has been completely received in the shift register, the character in the shift register is overwritten but not transferred to the FIFO. The OE indicator is set to a logic "1" immediately upon detection of an overflow condition, and reset whenever the Line Status Register is read.

BIT 2

Parity Error (PE). Bit 2 indicates that the received data character does not have the correct even or odd parity, as selected by the even parity select bit. The PE is set to a logic "1" upon detection of a parity error and is reset to a logic "0" whenever the Line Status Register is read. In the FIFO mode this error is associated with the particular character in the FIFO it applies to. This error is indicated when the associated character is at the top of the FIFO.

BIT 3

Framing Error (FE). Bit 3 indicates that the received character did not have a valid stop bit. Bit 3 is set to a logic "1" whenever the stop bit following the last data bit or parity bit is detected as a zero bit (Spacing level). The FE is reset to a logic "0" whenever the Line Status Register is read. In the FIFO mode this error is associated with the particular character in the FIFO it applies to. This error is indicated when the associated character is at the top of the FIFO. The Serial Port will try to resynchronize after a framing error. To do this, it assumes that the framing error was due to the next start bit, so it samples this 'start' bit twice and then takes in the 'data'.

BIT 4

Break Interrupt (BI). Bit 4 is set to a logic "1" whenever the received data input is held in the Spacing state (logic "0") for longer than a full word transmission time (that is, the total time of the start bit + data bits + parity bits + stop bits). The BI is reset after the CPU reads the contents of the Line Status Register. In the FIFO mode this error is associated with the particular character in the FIFO it applies to. This error is indicated when the associated character is at the top of the FIFO. When break occurs only one zero character is loaded into the FIFO. Restarting after a break is received, requires the serial data (RXD) to be logic "1" for at least 1/2 bit time. Note: Bits 1 through 4 are the error conditions that produce a Receiver Line Status Interrupt whenever any of the corresponding conditions are detected and the interrupt is enabled.

BIT 5

Transmitter Holding Register Empty (THRE). Bit 5 indicates that the Serial Port is ready to accept a new character for transmission. In addition, this bit causes the Serial Port to issue an interrupt when the Transmitter Holding Register interrupt enable is set high. The THRE bit is set to a logic "1" when a character is transferred from the Transmitter Holding Register into the Transmitter Shift Register. The bit is reset to logic "0" whenever the CPU loads the Transmitter Holding Register. In the FIFO mode this bit is set when the XMIT FIFO is empty, it is cleared when at least 1 byte is written to the XMIT FIFO. Bit 5 is a read only bit.

BIT 6

Transmitter Empty (TEMT). Bit 6 is set to a logic "1" whenever the Transmitter Holding Register (THR) and Transmitter Shift Register (TSR) are both empty. It is reset to logic "0" whenever either the THR or TSR contains a data character. Bit 6 is a read only bit. In the FIFO mode this bit is set whenever the THR and TSR are both empty,

BIT 7

This bit is permanently set to logic "0" in the 450 mode. In the FIFO mode, this bit is set to a logic "1" when there is at least one parity error, framing error or break indication in the FIFO. This bit is cleared when the LSR is read if there are no subsequent errors in the FIFO.

7.1.9 MODEM STATUS REGISTER (MSR)

Address Offset = 6H, DLAB = X, READ/WRITE This 8 bit register provides the current state of the control lines from the MODEM (or peripheral device). In addition to this current state information, four bits of the MODEM Status Register (MSR) provide change information.

These bits are set to logic "1" whenever a control input from the MODEM changes state. They are reset to logic "0" whenever the MODEM Status Register is read.

BIT 0

Delta Clear To Send (DCTS). Bit 0 indicates that the nCTS input to the chip has changed state since the last time the MSR was read.

BIT 1

Delta Data Set Ready (DDSR). Bit 1 indicates that the nDSR input has changed state since the last time the MSR was read.

BIT 2

Trailing Edge of Ring Indicator (TERI). Bit 2 indicates that the nRI input has changed from logic "0" to logic "1".

BIT 3

Delta Data Carrier Detect (DDCD). Bit 3 indicates that the nDCD input to the chip has changed state.

Note: Whenever bit 0, 1, 2, or 3 is set to a logic "1", a MODEM Status Interrupt is generated.

BIT 4

This bit is the complement of the Clear To Send (nCTS) input. If bit 4 of the MCR is set to logic "1", this bit is equivalent to nRTS in the MCR.

BIT 5

This bit is the complement of the Data Set Ready (nDSR) input. If bit 4 of the MCR is set to logic "1", this bit is equivalent to DTR in the MCR.

BIT 6

This bit is the complement of the Ring Indicator (nRI) input. If bit 4 of the MCR is set to logic "1", this bit is equivalent to OUT1 in the MCR.

BIT 7

This bit is the complement of the Data Carrier Detect (nDCD) input. If bit 4 of the MCR is set to logic "1", this bit is equivalent to OUT2 in the MCR.

7.1.10 SCRATCHPAD REGISTER (SCR)

Address Offset =7H, DLAB =X, READ/WRITE

This 8 bit read/write register has no effect on the operation of the Serial Port. It is intended as a scratchpad register to be used by the programmer to hold data temporarily.

7.1.11 PROGRAMMABLE BAUD RATE GENERATOR (AND DIVISOR LATCHES DLH, DLL)

The Serial Port contains a programmable Baud Rate Generator that is capable of dividing the internal PLL clock by any divisor from 1 to 65535. The internal PLL clock is divided down to generate a 1.8462MHz frequency for Baud Rates less than 38.4k, a 1.8432MHz frequency for 115.2k, a 3.6864MHz frequency for 230.4k and a 7.3728MHz frequency for 460.8k. This output frequency of the Baud Rate Generator is 16x the Baud rate. Two 8 bit latches store the divisor in 16 bit binary format. These Divisor Latches must be loaded during initialization in order to insure desired operation of the Baud Rate Generator. Upon loading either of the Divisor Latches, a 16 bit Baud counter is immediately loaded. This prevents long counts on initial load. If a 0 is loaded into the BRG registers the output divides the clock by the number 3. If a 1 is loaded the output is the inverse of the input oscillator. If a two is loaded the output is a divide by 2 signal with a 50% duty cycle. If a 3 or greater is loaded the output is low for 2 bits and high for the remainder of the count. The input clock to the BRG is a 1.8462 MHz clock.

Table 69 shows the baud rates possible.

Table 69 - UART Baud Rates

DESIRED BAUD RATE	DIVISOR USED TO GENERATE 16X CLOCK	PERCENT ERROR DIFFERENCE BETWEEN DESIRED AND ACTUAL ¹	HIGH SPEED BIT ²
50	2304	0.1	X
75	1536	-	X
110	1047	-	X
134.5	857	0.4	X
150	768	-	X
300	384	-	X
600	192	-	X
1200	96	-	X
1800	64	-	X
2000	58	0.5	X
2400	48	-	X
3600	32	-	X
4800	24	-	X
7200	16	-	X
9600	12	-	X
19200	6	-	X
38400	3	-	X
57600	2	0.16	X
115200	1	0.16	X
230400	32770	0.16	1
460800	32769	0.16	1

Note¹: The percentage error for all baud rates, except where indicated otherwise, is 0.2%.
Baud Rates

Note²: The High Speed bit is located in the Device Configuration Space.
Using 1.8462 MHz Clock for Baud Rate <= 57.6K;
Using 1.8432 MHz Clock for Baud Rate = 115.2k;
Using 3.6864 MHz Clock for Baud Rate = 230.4k;
Using 7.3728 MHz Clock for Baud Rate = 460.8k

7.2 FIFO INTERRUPT MODE OPERATION

When the RCVR FIFO and receiver interrupts are enabled (FCR bit 0 = "1", IER bit 0 = "1"), RCVR interrupts occur as follows:

The receive data available interrupt will be issued when the FIFO has reached its programmed trigger level; it is cleared as soon as the FIFO drops below its programmed trigger level.

The IIR receive data available indication also occurs when the FIFO trigger level is reached. It is cleared when the FIFO drops below the trigger level.

The receiver line status interrupt (IIR=06H), has higher priority than the received data available (IIR=04H) interrupt.

The data ready bit (LSR bit 0) is set as soon as a character is transferred from the shift register to the RCVR FIFO. It is reset when the FIFO is empty.

When RCVR FIFO and receiver interrupts are enabled, RCVR FIFO timeout interrupts occur as follows:

A FIFO timeout interrupt occurs if all the following conditions exist:

at least one character is in the FIFO

The most recent serial character received was longer than 4 continuous character times ago. (If 2 stop bits are programmed, the second one is included in this time delay.)

The most recent CPU read of the FIFO was longer than 4 continuous character times ago.

This will cause a maximum character received to interrupt issued delay of 160 msec at 300 BAUD with a 12 bit character.

Character times are calculated by using the RCLK input for a clock signal (this makes the delay proportional to the baudrate).

When a timeout interrupt has occurred it is cleared and the timer reset when the CPU reads one character from the RCVR FIFO.

When a timeout interrupt has not occurred the timeout timer is reset after a new character is received or after the CPU reads the RCVR FIFO.

When the XMIT FIFO and transmitter interrupts are enabled (FCR bit 0 = "1", IER bit 1 = "1"), XMIT interrupts occur as follows:

The transmitter holding register interrupt (02H) occurs when the XMIT FIFO is empty; it is cleared as soon as the transmitter holding register is written to (1 of 16 characters may be written to the XMIT FIFO while servicing this interrupt) or the IIR is read.

The transmitter FIFO empty indications will be delayed 1 character time minus the last stop bit time whenever the following occurs: THRE=1 and there have not been at least two bytes at the same time in the transmitter FIFO since the last THRE=1. The transmitter interrupt after changing FCRO will be immediate, if it is enabled.

Character timeout and RCVR FIFO trigger level interrupts have the same priority as the current received data available interrupt; XMIT FIFO empty has the same priority as the current transmitter holding register empty interrupt.

7.3 FIFO POLLED MODE OPERATION

With FCR bit 0 = "1" resetting IER bits 0, 1, 2 or 3 or all to zero puts the UART in the FIFO Polled Mode of operation. Since the RCVR and XMITTER are controlled separately, either one or both can be in the polled mode of operation.

In this mode, the user's program will check RCVR and XMITTER status via the LSR. LSR definitions for the FIFO Polled Mode are as follows:

Bit 0=1 as long as there is one byte in the RCVR FIFO.

Bits 1 to 4 specify which error(s) have occurred. Character error status is handled the same way as when in the interrupt mode, the IIR is not affected since EIR bit 2=0.

Bit 5 indicates when the XMIT FIFO is empty.

Bit 6 indicates that both the XMIT FIFO and shift register are empty.

Bit 7 indicates whether there are any errors in the RCVR FIFO.

There is no trigger level reached or timeout condition indicated in the FIFO Polled Mode, however, the RCVR and XMIT FIFOs are still fully capable of holding characters.

7.3.1 EFFECT OF THE RESET ON REGISTER FILE

The Reset Function Table (Table 70) details the effect of V_{cc2} POR or nRESET_OUT on each of the registers of the Serial Port.

Table 70 - Reset Function Table

REGISTER/SIGNAL	RESET CONTROL	RESET STATE
Interrupt Enable Register	RESET	All bits low
Interrupt Identification Reg.	RESET	Bit 0 is high; Bits 1 - 7 low
FIFO Control	RESET	All bits low
Line Control Reg.	RESET	All bits low
MODEM Control Reg.	RESET	All bits low
Line Status Reg.	RESET	All bits low except 5, 6 high
MODEM Status Reg.	RESET	Bits 0 - 3 low; Bits 4 - 7 input
TXD1, TXD2	RESET	High
INTRPT (RCVR errs)	RESET/Read LSR	Low
INTRPT (RCVR Data Ready)	RESET/Read RBR	Low
INTRPT (THRE)	RESET/ReadIIR/Write THR	Low
OUT2B	RESET	High
RTSB	RESET	High
DTRB	RESET	High
OUT1B	RESET	High
RCVR FIFO	RESET/ FCR1*FCR0/_FCR0	All Bits Low
XMIT FIFO	RESET/ FCR1*FCR0/_FCR0	All Bits Low

Table 71 - Register Summary for an Individual UART Channel

REGISTER ADDRESS*	REGISTER NAME	REGISTER SYMBOL	BIT 0	BIT 1	BIT 2	BIT 3	BIT 4	BIT 5	BIT 6	BIT 7
ADDR = 0 DLAB = 0	Receive Buffer Register (Read Only)	RBR	Data Bit 0 (Note 1)	Data Bit 1	Data Bit 2	Data Bit 3	Data Bit 4	Data Bit 5	Data Bit 6	Data Bit 7
ADDR = 0 DLAB = 0	Transmitter Holding Register (Write Only)	THR	Data Bit 0	Data Bit 1	Data Bit 2	Data Bit 3	Data Bit 4	Data Bit 5	Data Bit 6	Data Bit 7
ADDR = 1 DLAB = 0	Interrupt Enable Register	IER	Enable Received Data Available Interrupt (ERDAI)	Enable Transmitter Holding Register Empty Interrupt (ETHREI)	Enable Receiver Line Status Interrupt (ELSI)	Enable MODEM Status Interrupt (EMSI)	0	0	0	0
ADDR = 2	Interrupt Ident. Register (Read Only)	IIR	"0" if Interrupt Pending	Interrupt ID Bit	Interrupt ID Bit	Interrupt ID Bit (Note 5)	0	0	FIFOs Enabled (Note 5)	FIFOs Enabled (Note 5)
ADDR = 2	FIFO Control Register (Write Only)	FCR (Note 7)	FIFO Enable	RCVR FIFO Reset	XMIT FIFO Reset	DMA Mode Select (Note 6)	Reserved	Reserved	RCVR Trigger LSB	RCVR Trigger MSB
ADDR = 3	Line Control Register	LCR	Word Length Select Bit 0 (WLS0)	Word Length Select Bit 1 (WLS1)	Number of Stop Bits (STB)	Parity Enable (PEN)	Even Parity Select (EPS)	Stick Parity	Set Break	Divisor Latch Access Bit (DLAB)
ADDR = 4	MODEM Control Register	MCR	Data Terminal Ready (DTR)	Request to Send (RTS)	OUT1 (Note 3)	OUT2 (Note 3)	Loop	0	0	0
ADDR = 5	Line Status Register	LSR	Data Ready (DR)	Overrun Error (OE)	Parity Error (PE)	Framing Error (FE)	Break Interrupt (BI)	Transmitter Holding Register (THRE)	Transmitter Empty (TEMT) (Note 2)	Error in RCVR FIFO (Note 5)
ADDR = 6	MODEM Status Register	MSR	Delta Clear to Send (DCTS)	Delta Data Set Ready (DDSR)	Trailing Edge Ring Indicator (TERI)	Delta Data Carrier Detect (DDCD)	Clear to Send (CTS)	Data Set Ready (DSR)	Ring Indicator (RI)	Data Carrier Detect (DCD)
ADDR = 7	Scratch Register (Note 4)	SCR	Bit 0	Bit 1	Bit 2	Bit 3	Bit 4	Bit 5	Bit 6	Bit 7
ADDR = 0 DLAB = 1	Divisor Latch (LS)	DDL	Bit 0	Bit 1	Bit 2	Bit 3	Bit 4	Bit 5	Bit 6	Bit 7
ADDR = 1 DLAB = 1	Divisor Latch (MS)	DLM	Bit 8	Bit 9	Bit 10	Bit 11	Bit 12	Bit 13	Bit 14	Bit 15

UART Register Summary Notes:

*DLAB is Bit 7 of the Line Control Register (ADDR = 3).

Note 1: Bit 0 is the least significant bit. It is the first bit serially transmitted or received.

Note 2: When operating in the XT mode, this bit will be set any time that the transmitter shift register is empty.

Note 3: This bit no longer has a pin associated with it.

Note 4: When operating in the XT mode, this register is not available.

Note 5: These bits are always zero in the non-FIFO mode.

Note 6: Writing a one to this bit has no effect. DMA modes are not supported in this chip.

7.3.2 NOTES ON SERIAL PORT FIFO MODE OPERATION

The RCVR FIFO will hold up to 16 bytes regardless of which trigger level is selected.

7.3.3 TX AND RX FIFO OPERATION

The Tx portion of the UART transmits data through TXD as soon as the CPU loads a byte into the Tx FIFO. The UART will prevent loads to the Tx FIFO if it currently holds 16 characters. Loading to the Tx FIFO will again be enabled as soon as the next character is transferred to the Tx shift register. These capabilities account for the largely autonomous operation of the Tx.

The UART starts the above operations typically with a Tx interrupt. The chip issues a Tx interrupt whenever the Tx FIFO is empty and the Tx interrupt is enabled, except in the following instance. Assume that the Tx FIFO is empty

and the CPU starts to load it. When the first byte enters the FIFO the Tx FIFO empty interrupt will transition from active to inactive. Depending on the execution speed of the service routine software, the UART may be able to transfer this byte from the FIFO to the shift register before the CPU loads another byte. If this happens, the Tx FIFO will be empty again and typically the UART's interrupt line would transition to the active state. This could cause a system with an interrupt control unit to record a Tx FIFO empty condition, even though the CPU is currently servicing that interrupt. Therefore, after the first byte has been loaded into the FIFO the UART will wait one serial character transmission time before issuing a new Tx FIFO empty interrupt. This one character Tx interrupt delay will remain active until at least two bytes have been loaded into the FIFO, concurrently. When the Tx FIFO empties after this condition, the Tx interrupt will be activated without a one character delay.

Rx support functions and operation are quite different from those described for the transmitter. The Rx FIFO receives data until the number of bytes in the FIFO equals the selected interrupt trigger level. At that time if Rx interrupts are enabled, the UART will issue an interrupt to the CPU. The Rx FIFO will continue to store bytes until it holds 16 of them. It will not accept any more data when it is full. Any more data entering the Rx shift register will set the Overrun Error flag. Normally, the FIFO depth and the programmable trigger levels will give the CPU ample time to empty the Rx FIFO before an overrun occurs.

One side-effect of having a Rx FIFO is that the selected interrupt trigger level may be above the data level in the FIFO. This could occur when data at the end of the block contains fewer bytes than the trigger level. No interrupt would be issued to the CPU and the data would remain in the UART. To prevent the software from having to check for this situation the chip incorporates a timeout interrupt.

The timeout interrupt is activated when there is a least one byte in the Rx FIFO, and neither the CPU nor the Rx shift register has accessed the Rx FIFO within 4 character times of the last byte. The timeout interrupt is cleared or reset when the CPU reads the Rx FIFO or another character enters it.

These FIFO related features allow optimization of CPU/UART transactions and are especially useful given the higher baud rate capability (256 kbaud).

8 INFRARED COMMUNICATIONS CONTROLLER (IRCC 2.0)

The Infrared Communications Controller is fully compliant to the IrDA Specification Version 1.1 which includes data rates up to 4 Mbps to support IrDA-SIRA, IrDA-SIRB, IrDA-HDLC and IrDA-FIR modes. In addition the IRCC 2.0 provides support for ASK-IR, Consumer (TV remote) IR, and RAW-IR (Host controller has direct access to the IR bit stream from/to the transceiver module). It is important to note that the IRCC 2.0 block is a superset of a 16C550A UART. The IRCC 2.0 includes an Asynchronous Communications Engine (ACE) and a separate Synchronous Communications Engine (SCE) to provide the full set of IR modes as well as the standard UART Com mode. The IRCC 2.0 block details are fully described in SMSC's specification titled "Infrared Communications Controller". The information in this section of the specification will provide details on the integration of the FIR logic block into the LPC47N252.

The infrared interface provides a two-way wireless communications port using infrared as a transmission medium. The IR transmission can use the standard IRTX and IRRX pins or optional IRTX2 and IRRX2 pins. These can be selected through the configuration registers. The IRTX2 and IRRX2 pins are alternate function pins.

IrDA-SIR allows serial communication at baud rates up to 115K Baud. Each word is sent serially beginning with a "0" value start bit. A "0" is signaled by sending a single IR pulse at the beginning of the serial bit time. A "1" is signaled by sending no IR pulse during the bit time. Please refer to the AC timing for the parameters of these pulses and the IrDA waveform.

The Amplitude Shift Keyed IR allows serial communication at baud rates up to 19.2K Baud. Each word is sent serially beginning with a "0" value start bit. A "0" is signaled by sending a 500 kHz waveform for the duration of the serial bit time. A "1" is signaled by sending no transmission the bit time. Please refer to the AC timing for the parameters of the ASK-IR waveform.

If the Half Duplex option is chosen, there is a time-out when the direction of the transmission is changed. This time-out starts at the last bit transferred during a transmission and blocks the receiver input until the time-out expires. If the transmit buffer is loaded with more data before the time-out expires, the timer is restarted after the new byte is transmitted. If data is loaded into the transmit buffer while a character is being received, the transmission will not start until the time-out expires after the last receive bit has been received. If the start bit of another character is received during this time-out, the timer is restarted after the new character is received. The time-out is four character times. A character time is defined as 10 bit times regardless of the actual word length being used.

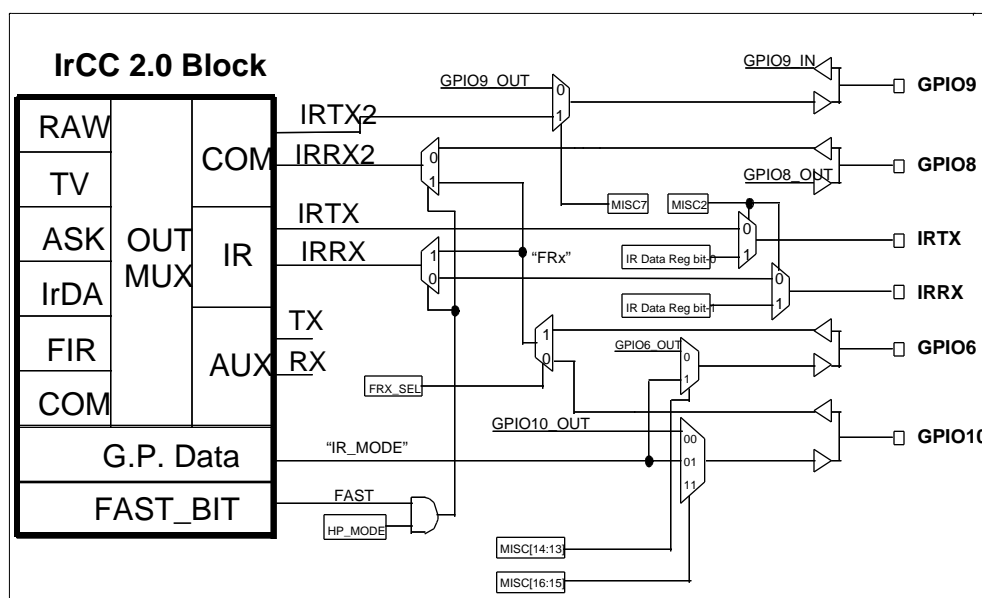


FIGURE 10 - INTEGRATION OF IRCC 2.0 LOGIC INTO THE LPC47N252

HP_MODE = (MISC[14:13] == [1:0]) | (MISC[16:15] == [1:0])

FRX_SEL = (MISC[14:13] == [1:0])

8.1 IRRX/IRTX PIN ENABLE

When MISC2=0 the IRRX and IRTX pins are enabled as when IrCC 2.0 (LD5) is activated or enabled and the IRCC 2.0 Output Mux is set to use the IR Port, otherwise the IRTX pin is tri-stated. When MISC2=1, the IRRX and IRTX pins are always enabled as they can be bit banded through the IR Data Register, bits 1 and 0 respectively. See section 25.3, Multiplexing_1 Register – MISC [7:0] on page 290.

Therefore, if the IR interface is on IRRX (pin 21) and IRTX (pin 20), then MISC2 allows the IR interface to be switched between the IRCC 2.0 block and the IR Data Register. The IR Data Register is only available from the host, and is located at index register 98. This register is available through the Mailbox Register Interface.

8.2 IR REGISTERS - LOGICAL DEVICE 5

In order to support the Infrared Communications Controller ten configuration registers are included in Logical Device 5. Refer to the Configuration section of this specification for details.

Base I/O Addresses

550 UART

Table 72 - Asynchronous Communications Engine (UART) Register

REGISTER INDEX	BASE I/O RANGE	FIXED REGISTER BASE OFFSETS
0x60, 0x61	[0x100:0x0FF8] ON 8 BYTE BOUNDARIES	+0 : RB/TB LSB div +1 : IER MSB div +2 : IIR/FCR +3 : LCR +4 : MCR +5 : LSR +6 : MSR +7 : SCR

Register 0x60 stores the MSB and 0x61 the LSB of the 550-UART's 16 bit Base Address.

Fast IR/SCE

Table 73 - Synchronous Communications Engine (SCE) Registers

REGISTER INDEX	BASE I/O RANGE	FIXED REGISTER BASE OFFSETS
0x62, 0x63	[0x100:0x0FF8] ON 8 BYTE BOUNDARIES	+0 : Register Block, address 0 +1 : Register Block, address 1 +2 : Register Block, address 2 +3 : Register Block, address 3 +4 : Register Block, address 4 +5 : Register Block, address 5 +6 : Register Block, address 6 +7 : SCE Master Control Register

Register 0x60 stores the MSB and 0x61 the LSB of the 550-UART's 16 bit Base Address.

Note: Refer to the Infrared Communications Controller (IRCC 2.0) Specification for register details.

Note: If Base I/O Address is set below 0x100 then no decode will occur.

8.3 IR DMA CHANNELS

DMA channel 0, 1, 2 or 3 may be selected for use with the IRCC 2.0 logic through the configuration registers of Logical Device 5. Refer to the Configuration section of this specification for further details on setting the DMA channel and to the IRCC 2.0 specification for details on IR DMA transfers.

8.4 IR IRQS

The interrupt for the IRCC 2.0 logic is selectable through the configuration registers for logical device 5. Refer to the Configuration section of this specification for further details on setting the interrupt and to the IRCC 2.0 specification for details on IR IRQ events.

8.4.1 SOFTWARE SELECT REGISTERS A AND B

The Software Select A and Software Select B registers in the LPC47N252 configuration space in Logical Device Number 5 are directly connected to the read-only IrCC 2.0 Software Select A & B registers in SCE Register Block Three.

The LPC47N252 Software Select A register is LD5:CRF7, the LPC47N252 Software Select B register is LD5:CRF8. These registers are R/W.

Writing to LD5:CRF7 is the only way to revise the contents of the Software Select A register in the IrCC 2.0. Writing the contents of the Software Select A register can only be done in the configuration state and only after the LDN has been set to “5” and the CSR has been initialized to “F7H”. The default value of this register after power up is 00H (Table 74).

Writing to LD5:CRF8 is the only way to revise the contents of the Software Select B register in the IrCC 2.0. Writing the contents of the Software Select B register can only be done in the configuration state and only after the LDN has been set to “5” and the CSR has been initialized to “F8H”. The default value of this register after power up is 00H (Table 74).

Table 74 - LPC47N252 Software Select A&B Registers

		D7	D6	D5	D4	D3	D2	D1	D0	DEFAULT
LD5:CRF7	R/W	Software Select A								0x00
LD5:CRF8	R/W	Software Select B								0x00

8.5 IR HALF DUPLEX TIMEOUT

LD5:CRF2 is the FDC37C97X IR Half Duplex Time-Out register (Table 75). In the LPC47N252, this register is linked to the IrCC 2.0 IR Half Duplex Time-Out register.

In the LPC47N252, these two registers must behave like the other IrCC 2.0 legacy controls where either source uniformly updates the value of both registers when either register is explicitly written via the LPC interface or following a device-level POR. IrCC 2.0 software resets do not affect these registers.

The IR Half Duplex Time-Out constrains the timing of transmit/receive direction mode changes in the IrCC 2.0. The IR Half Duplex Time-Out is started as each IR message data bit is transferred and prevents direction mode changes until the time-out expires. The timer is restarted whenever new data is transferred in the current direction mode.

The IR Half Duplex Time-Out is programmable from 0 to 25.5ms in 100µs increments, as follows:

$$\text{IR HALF DUPLEX TIME-OUT} = (\text{CRF2}) \times 100\mu\text{s}$$

Table 75 - IR Half Duplex Time-Out Register

		D7	D6	D5	D4	D3	D2	D1	D0	DEFAULT
LD5:CRF2	R/W	IR HALF DUPLEX TIME-OUT								0x03

8.6 IRTX OUTPUT PINS DEFAULT

The IrCC 2.0 IRTX pins default at power-up to “output”, “low” to prevent infrared transceiver damage. This default behavior applies to both the dedicated IRTX2 pin and to GPIO9 (see MISC[7, 2] bits of the Multiplexing_1 Register – MISC [7:0] on page 290.)

9 PARALLEL PORT

The LPC47N252 incorporates an IBM XT/AT compatible parallel port. This supports the optional PS/2 type bi-directional parallel port (SPP), the Enhanced Parallel Port (EPP) and the Extended Capabilities Port (ECP) parallel port modes. Refer to the Configuration Registers for information on disabling, power down, changing the base address of the parallel port, and selecting the mode of operation.

The parallel port also incorporates SMSC's ChiProtect circuitry, which prevents possible damage to the parallel port due to printer power-up. The functionality of the parallel port is achieved through the use of eight addressable ports, with their associated registers and control gating. The control and data port are read/write by the CPU, the status port is read/write in the EPP mode. The address map of the Parallel Port is shown below:

Table 76 - Address Map For Parallel Port

REGISTER NAME	ADDRESS
DATA PORT	BASE ADDRESS + 00H
STATUS PORT	BASE ADDRESS + 01H
CONTROL PORT	BASE ADDRESS + 02H
EPP ADDR PORT	BASE ADDRESS + 03H
EPP DATA PORT 0	BASE ADDRESS + 04H
EPP DATA PORT 1	BASE ADDRESS + 05H
EPP DATA PORT 2	BASE ADDRESS + 06H
EPP DATA PORT 3	BASE ADDRESS + 07H

Table 77 - Bit Map For Parallel Port

	D0	D1	D2	D3	D4	D5	D6	D7	NOTE
DATA PORT	PD0	PD1	PD2	PD3	PD4	PD5	PD6	PD7	1
STATUS PORT	TMOUT	0	0	nERR	SLCT	PE	nACK	nBUSY	1
CONTROL PORT	STROBE	ALF	nINIT	SLC	IRQE	PCD	0	0	1
EPP ADDR PORT	PD0	PD1	PD2	PD3	PD4	PD5	PD6	AD7	2
EPP DATA PORT 0	PD0	PD1	PD2	PD3	PD4	PD5	PD6	PD7	2
EPP DATA PORT 1	PD0	PD1	PD2	PD3	PD4	PD5	PD6	PD7	2
EPP DATA PORT 2	PD0	PD1	PD2	PD3	PD4	PD5	PD6	PD7	2
EPP DATA PORT 3	PD0	PD1	PD2	PD3	PD4	PD5	PD6	PD7	2

Note 1: These registers are available in all modes.

Note 2: These registers are only available in EPP mode.

Table 78 - Parallel Port Connector pin Map

HOST CONNECTOR	PIN NUMBER	STANDARD	EPP	ECP
1	129	nStrobe	nWrite	nStrobe
2-9	124-121, 119-116	PData<0:7>	PData<0:7>	PData<0:7>
10	115	nAck	Intr	nAck
11	114	Busy	nWait	Busy, PeriphAck(3)
12	113	PE	(NU)	PError, nAckReverse(3)
13	112	Select	(NU)	Select
14	128	Nalf	nDatastb	nALF, HostAck(3)
15	127	NError	(NU)	nFault(1) nPeriphRequest(3)
16	126	NInit	(NU)	nInit(1) nReverseRqst(3)
17	125	NSelectin	nAddrstrb	nSelectin(1,3)

(1) = Compatible Mode

(3) = High Speed Mode

Note: For the cable interconnection required for ECP support and the Slave Connector pin numbers, refer to the IEEE P1284 D2.0 Standard, "Standard Signaling Method for a Bi-directional Parallel Peripheral Interface for Personal Computers", September 10, 1993. This document is available from the IEEE.

9.1 IBM XT/AT COMPATIBLE, BI-DIRECTIONAL AND EPP MODES

9.1.1 REGISTER DEFINITION

9.1.1.1 DATA PORT - ADDRESS OFFSET = 00H

The Data Port is located at an offset of '00H' from the base address. The data register is cleared at initialization by RESET. During a WRITE operation, the Data Register latches the contents of the internal data bus. The contents of this register are buffered (non inverting) and output onto the PD0 - PD7 ports. During a READ operation in SPP mode, PD0 - PD7 ports are buffered (not latched) and output to the host CPU.

9.1.1.2 STATUS PORT - ADDRESS OFFSET = 01H

The Status Port is located at an offset of '01H' from the base address. The contents of this register are latched for the duration of a read cycle. The bits of the Status Port are defined as follows:

BIT 0 TMOUT - TIME OUT

This bit is valid in EPP mode only and indicates that a 10 μ sec time out has occurred on the EPP bus. A logic "0" means that no time out error has occurred; a logic "1" means that a time out error has been detected. This bit is cleared by a RESET. Writing a one to this bit clears the time out status bit. On a write, this bit is self clearing and does not require a write of a "0". Writing a "0" to this bit has no effect.

Note: The clearing of this bit is controlled by the Timeout_Select bit in the CnfgB Shadow register LDN 3 CRF1[7]. When the Timeout_Select bit is '0' (default), the Timeout bit is cleared on the trailing edge of a 'read' to the EPP Status register. When the Timeout_Select bit is '1', the Timeout bit is cleared on a write of '1' to the Timeout bit in the EPP Status register. The Timeout bit in the EPP Status register is cleared by a Hard Reset regardless of the state of the Timeout_Select bit.

BITS 1, 2

are not implemented as register bits, during a read of the Printer Status Register these bits are a low level.

BIT 3 nERR - nERROR

The level on the nERROR input is read by the CPU as bit 3 of the Printer Status Register. A logic 0 means an error has been detected; a logic "1" means no error has been detected.

BIT 4 SLCT - PRINTER SELECTED STATUS

The level on the SLCT input is read by the CPU as bit 4 of the Printer Status Register. A logic "1" means the printer is on line; a logic 0 means it is not selected.

BIT 5 PE - PAPER END

The level on the PE input is read by the CPU as bit 5 of the Printer Status Register. A logic "1" indicates a paper end; a logic 0 indicates the presence of paper.

BIT 6 nACK - nACKNOWLEDGE

The level on the nACK input is read by the CPU as bit 6 of the Printer Status Register. A logic "0" means that the printer has received a character and can now accept another. A logic "1" means that it is still processing the last character or has not received the data.

BIT 7 nBUSY - nBUSY

The complement of the level on the BUSY input is read by the CPU as bit 7 of the Printer Status Register. A logic "0" in this bit means that the printer is busy and cannot accept a new character. A logic "1" means that it is ready to accept the next character.

9.1.1.3 CONTROL PORT – ADDRESS OFFSET = 02H

The Control Port is located at an offset of '02H' from the base address. The Control Register is initialized by the RESET input, bits 0 to 5 only being affected; bits 6 and 7 are hard wired low.

BIT 0 STROBE - STROBE

This bit is inverted and output onto the nSTROBE output.

BIT 1 ALF - AUTOFEED

This bit is inverted and output onto the nALF output. A logic "1" causes the printer to generate a line feed after each line is printed. A logic "0" means no autofeed.

BIT 2 nINIT - nINITIATE OUTPUT

This bit is output onto the nINIT output without inversion.

BIT 3 SLCTIN - PRINTER SELECT INPUT

This bit is inverted and output onto the nSLCTIN output. A logic "1" on this bit selects the printer; a logic "0" means the printer is not selected.

BIT 4 IRQE - INTERRUPT REQUEST ENABLE

The interrupt request enable bit when set to a high level may be used to enable interrupt requests from the Parallel Port to the CPU. An interrupt request is generated on the IRQ port by a positive going nACK input. When the IRQE bit is programmed low the IRQ is disabled.

BIT 5 PCD - PARALLEL CONTROL DIRECTION

Parallel Control Direction is not valid in printer mode. In printer mode, the direction is always out regardless of the state of this bit. In bi-directional, EPP or ECP mode, a logic 0 means that the printer port is in output mode (write); a logic "1" means that the printer port is in input mode (read).

BITS 6 and 7 – Reserved

Read only logic zero.

9.1.1.4 EPP ADDRESS PORT - ADDRESS OFFSET = 03H

The EPP Address Port is located at an offset of '03H' from the base address. The address register is cleared at initialization by RESET. During a WRITE operation, the contents of the internal data bus DB0-DB7 are buffered (non inverting) and output onto the PD0 - PD7 ports. An LPC I/O write cycle causes an EPP ADDRESS WRITE cycle to be performed, during which the data is latched for the duration of the EPP write cycle. During a READ operation, PD0 - PD7 ports are read. An LPC I/O read cycle causes an EPP ADDRESS READ cycle to be performed and the data output to the host CPU, the deassertion of ADDRSTB latches the PData for the duration of the read cycle. This register is only available in EPP mode.

9.1.1.5 EPP DATA PORT 0 -ADDRESS OFFSET = 04H

The EPP Data Port 0 is located at an offset of '04H' from the base address. The data register is cleared at initialization by RESET. During a WRITE operation, the contents of the internal data bus DB0-DB7 are buffered (non inverting) and output onto the PD0 - PD7 ports. An LPC I/O write cycle causes an EPP DATA WRITE cycle to be performed, during which the data is latched for the duration of the EPP write cycle. During a READ operation, PD0 - PD7 ports are read. An LPC I/O read cycle causes an EPP READ cycle to be performed and the data output to the host CPU, the deassertion of DATASTB latches the PData for the duration of the read cycle. This register is only available in EPP mode.

9.1.1.6 EPP DATA PORT 1 - ADDRESS OFFSET = 05H

The EPP Data Port 1 is located at an offset of '05H' from the base address. Refer to EPP DATA PORT 0 for a description of operation. This register is only available in EPP mode.

9.1.1.7 EPP DATA PORT 2 -ADDRESS OFFSET = 06H

The EPP Data Port 2 is located at an offset of '06H' from the base address. Refer to EPP DATA PORT 0 for a description of operation. This register is only available in EPP mode.

9.1.1.8 EPP DATA PORT 3 - ADDRESS OFFSET = 07H

The EPP Data Port 3 is located at an offset of '07H' from the base address. Refer to EPP DATA PORT 0 for a description of operation. This register is only available in EPP mode.

9.1.1.9 EPP 1.9 OPERATION

When the EPP mode is selected in the configuration register, the standard and bi-directional modes are also available. If no EPP Read, Write or Address cycle is currently executing, then the PDx bus is in the standard or bi-directional mode, and all output signals (STROBE, ALF, INIT) are as set by the SPP Control Port and direction is controlled by PCD of the Control port.

In EPP mode, the system timing is closely coupled to the EPP timing. For this reason, a watchdog timer is required to prevent system lockup. The timer indicates if more than 10 μ sec have elapsed from the start of the EPP cycle to nWAIT being deasserted (after command). If a time-out occurs, the current EPP cycle is aborted and the time-out condition is indicated in Status bit 0.

During an EPP cycle, if STROBE is active, it overrides the EPP write signal forcing the PDx bus to always be in a write mode and the nWRITE signal to always be asserted.

9.1.1.9.1 Software Constraints

Before an EPP cycle is executed, the software must ensure that the control register bit PCD is a logic "0" (i.e. a 04H or 05H should be written to the Control port). If the user leaves PCD as a logic "1", and attempts to perform an EPP write, the chip is unable to perform the write (because PCD is a logic "1") and will appear to perform an EPP read on the parallel bus, no error is indicated.

9.1.1.9.2 EPP 1.9 Write

The timing for a write operation (address or data) is shown in timing diagram EPP Write Data or Address cycle. The chip inserts wait states into the LPC I/O write cycle until it has been determined that the write cycle can complete. The write cycle can complete under the following circumstances:

If the EPP bus is not ready (nWAIT is active low) when nDATASTB or nADDRSTB goes active then the write can complete when nWAIT goes inactive high.

If the EPP bus is ready (nWAIT is inactive high) then the chip must wait for it to go active low before changing the state of nDATASTB, nWRITE or nADDRSTB. The write can complete once nWAIT is determined inactive.

9.1.1.9.2.1 Write Sequence of Operation

The host initiates an I/O write cycle to the selected EPP register.

If WAIT is not asserted, the chip must wait until WAIT is asserted.

The chip places address or data on PData bus, clears PDIR, and asserts nWRITE.

Chip asserts nDATASTB or nADDRSTRB indicating that PData bus contains valid information, and the WRITE signal is valid.

Peripheral deasserts nWAIT, indicating that any setup requirements have been satisfied and the chip may begin the termination phase of the cycle.

The chip deasserts nDATASTB or nADDRSTRB, this marks the beginning of the termination phase. If it has not already done so, the peripheral should latch the information byte now.

The chip latches the data from the internal data bus for the PData bus and drives the sync that indicates that no more wait states are required followed by the TAR to complete the write cycle.

Peripheral asserts nWAIT, indicating to the host that any hold time requirements have been satisfied and acknowledging the termination of the cycle.

Chip may modify nWRITE and nPDATA in preparation for the next cycle.

9.1.1.9.3 EPP 1.9 Read

The timing for a read operation (data) is shown in timing diagram EPP Read Data cycle. The chip inserts wait states into the LPC I/O read cycle until it has been determined that the read cycle can complete. The read cycle can complete under the following circumstances:

If the EPP bus is not ready (nWAIT is active low) when nDATASTB goes active then the read can complete when nWAIT goes inactive high.

If the EPP bus is ready (nWAIT is inactive high) then the chip must wait for it to go active low before changing the state of WRITE or before nDATASTB goes active. The read can complete once nWAIT is determined inactive.

9.1.1.9.3.1 Read Sequence of Operation

The host initiates an I/O read cycle to the selected EPP register.

If WAIT is not asserted, the chip must wait until WAIT is asserted.

The chip tri-states the PData bus and deasserts nWRITE.

Chip asserts nDATASTB or nADDRSTRB indicating that PData bus is tri-stated, PDIR is set and the nWRITE signal is valid.

Peripheral drives PData bus valid.

Peripheral deasserts nWAIT, indicating that PData is valid and the chip may begin the termination phase of the cycle.

The chip latches the data from the PData bus for the internal data bus and deasserts nDATASTB or nADDRSTRB. This marks the beginning of the termination phase.

The chip drives the sync that indicates that no more wait states are required and drives the valid data onto the LAD[3:0] signals, followed by the TAR to complete the read cycle.

Peripheral tri-states the PData bus and asserts nWAIT, indicating to the host that the PData bus is tri-stated.

Chip may modify nWRITE, PDIR and nPDATA in preparation for the next cycle.

9.1.1.10 EPP 1.7 OPERATION

When the EPP 1.7 mode is selected in the configuration register, the standard and bi-directional modes are also available. If no EPP Read, Write or Address cycle is currently executing, then the PDx bus is in the standard or bi-directional mode, and all output signals (STROBE, AUTOFD, INIT) are as set by the SPP Control Port and direction is controlled by PCD of the Control port.

In EPP mode, the system timing is closely coupled to the EPP timing. For this reason, a watchdog timer is required to prevent system lockup. The timer indicates if more than 10usec have elapsed from the start of the EPP cycle to the end of the cycle. If a time-out occurs, the current EPP cycle is aborted and the time-out condition is indicated in Status bit 0.

9.1.1.10.1 Software Constraints

Before an EPP cycle is executed, the software must ensure that the control register bits D0, D1 and D3 are set to zero. Also, bit D5 (PCD) is a logic "0" for an EPP write or a logic "1" for an EPP read.

9.1.1.10.1.1 EPP 1.7 Write

The timing for a write operation (address or data) is shown in timing diagram EPP 1.7 Write Data or Address cycle. The chip inserts wait states into the I/O write cycle when nWAIT is active low during the EPP cycle. This can be used to extend the cycle time. The write cycle can complete when nWAIT is inactive high.

9.1.1.10.1.1.1 Write Sequence of Operation

The host sets PDIR bit in the control register to a logic "0". This asserts nWRITE.

The host initiates an I/O write cycle to the selected EPP register.

The chip places address or data on PData bus.

Chip asserts nDATASTB or nADDRSTRB indicating that PData bus contains valid information, and the WRITE signal is valid.

If nWAIT is asserted, the chip inserts wait states into I/O write cycle until the peripheral deasserts nWAIT or a time-out occurs.

The chip drives the final sync, deasserts nDATASTB or nADDRSTRB and latches the data from the internal data bus for the PData bus.

Chip may modify nWRITE, PDIR and nPDATA in preparation of the next cycle.

9.1.1.10.1.2 EPP 1.7 Read

The timing for a read operation (data) is shown in timing diagram EPP 1.7 Read Data cycle. The chip inserts wait states into the I/O read cycle when nWAIT is active low during the EPP cycle. This can be used to extend the cycle time. The read cycle can complete when nWAIT is inactive high.

Read Sequence of Operation:

The host sets PDIR bit in the control register to a logic "1". This deasserts nWRITE and tri-states the PData bus.

The host initiates an I/O read cycle to the selected EPP register.

Chip asserts nDATASTB or nADDRSTRB indicating that PData bus is tri-stated, PDIR is set and the nWRITE signal is valid.

If nWAIT is asserted, the chip inserts wait states into the I/O read cycle until the peripheral deasserts nWAIT or a time-out occurs.

The Peripheral drives PData bus valid.

The Peripheral deasserts nWAIT, indicating that PData is valid and the chip may begin the termination phase of the cycle.

The chip drives the final sync and deasserts nDATASTB or nADDRSTB.

Peripheral tri-states the PData bus.

Chip may modify nWRITE, PDIR and nPDATA in preparation of the next cycle.

Table 79 - EPP Pin Descriptions

EPP SIGNAL	EPP NAME	TYPE	EPP DESCRIPTION
NWRITE	nWrite	O	This signal is active low. It denotes a write operation.
PD<0:7>	Address/Data	I/O	Bi-directional EPP byte wide address and data bus.
INTR	Interrupt	I	This signal is active high and positive edge triggered. (Pass through with no inversion, Same as SPP).
WAIT	nWait	I	This signal is active low. It is driven inactive as a positive acknowledgement from the device that the transfer of data is completed. It is driven active as an indication that the device is ready for the next transfer.
DATASTB	nData Strobe	O	This signal is active low. It is used to denote data read or write operation.
RESET	nReset	O	This signal is active low. When driven active, the EPP device is reset to its initial operational mode.
ADDRSTB	nAddress Strobe	O	This signal is active low. It is used to denote address read or write operation.
PE	Paper End	I	Same as SPP mode.
SLCT	Printer Selected Status	I	Same as SPP mode.
NERR	Error	I	Same as SPP mode.
PDIR	Parallel Port Direction	O	This output shows the direction of the data transfer on the parallel port bus. A low means an output/write condition and a high means an input/read condition. This signal is normally a low (output/write) unless PCD of the control register is set or if an EPP read cycle is in progress.

Note 1: SPP and EPP can use 1 common register.

Note 2: nWrite is the only EPP output that can be over-ridden by SPP control port during an EPP cycle. For correct EPP read cycles, PCD is required to be a low.

9.2 EXTENDED CAPABILITIES PARALLEL PORT

ECP provides a number of advantages, some of which are listed below. The individual features are explained in greater detail in the remainder of this section.

High performance half-duplex forward and reverse channel
Interlocked handshake, for fast reliable transfer
Optional single byte RLE compression for improved throughput (64:1)
Channel addressing for low-cost peripherals
Maintains link and data layer separation
Permits the use of active output drivers
Permits the use of adaptive signal timing
Peer-to-peer capability

9.2.1 VOCABULARY

The following terms are used in this document:

assert: When a signal asserts it transitions to a "true" state, when a signal deasserts it transitions to a "false" state.

forward: Host to Peripheral communication.

reverse: Peripheral to Host communication.

PWord: A port word; equal in size to the width of the ISA interface. For this implementation, PWord is always 8 bits.

1: A high level.

0: A low level.

These terms may be considered synonymous:

PeriphClk, nAck

HostAck, nALF

PeriphAck, Busy

nPeriphRequest, nFault

nReverseRequest, nInit

nAckReverse, PError

Xflag, Select

ECPMode, nSelectIn

HostClk, nStrobe

Note: Refer to IEEE 1284 Extended Capabilities Port Protocol and ISA Interface Standard, Rev 1.14, July 14, 1993. This document is available from Microsoft.

The bit map of the Extended Parallel Port registers is described in **Table 80**.

Table 80 - Bit Map Of The Extended Parallel Port Registers

	D7	D6	D5	D4	D3	D2	D1	D0	NOTE
data	PD7	PD6	PD5	PD4	PD3	PD2	PD1	PD0	
ecpAFifo	Addr/RLE	Address or RLE field							2
dscr	nBusy	nAck	PError	Select	nFault	0	0	0	1
dcr	0	0	Direction	ackIntEn	SelectIn	nInit	alf	strobe	1
cFifo	Parallel Port Data FIFO								00 2
ecpDFifo	ECP Data FIFO								2
tFifo	Test FIFO								2
cnfgA	0	0	0	1	0	0	0	0	
cnfgB	compress	intrValue	0	0	0	0	0	0	
ecr	MODE			nErrIntrEn	dmaEn	serviceIntr	full	empty	

Note 1: These registers are available in all modes.

Note 2: All FIFOs use one common 16 byte FIFO.

9.2.2 ECP IMPLEMENTATION STANDARD

This specification describes the standard ISA interface to the Extended Capabilities Port (ECP). All LPC devices supporting ECP must meet the requirements contained in this section or the port will not be supported by Microsoft. For a description of the ECP Protocol, please refer to the IEEE 1284 Extended Capabilities Port Protocol and ISA Interface Standard, Rev. 1.14, July 14, 1993. This document is available from Microsoft.

9.2.3 DESCRIPTION

The port is software and hardware compatible with existing parallel ports so that it may be used as a standard LPT port if ECP is not required. The port is designed to be simple and requires a small number of gates to implement. It does not do any "protocol" negotiation, rather it provides an automatic high burst-bandwidth channel that supports DMA for ECP in both the forward and reverse directions.

Small FIFOs are employed in both forward and reverse directions to smooth data flow and improve the maximum bandwidth requirement. The size of the FIFO is 16 bytes deep. The port supports an automatic handshake for the standard parallel port to improve compatibility mode transfer speed.

The port also supports run length encoded (RLE) decompression (required) in hardware. Compression is accomplished by counting identical bytes and transmitting an RLE byte that indicates how many times the next byte is to be repeated. Decompression simply intercepts the RLE byte and repeats the following byte the specified number of times. Hardware support for compression is optional.

Table 81 - ECP Pin Descriptions

NAME	TYPE	DESCRIPTION
nStrobe	O	During write operations nStrobe registers data or address into the slave on the asserting edge (handshakes with Busy).
PData 7:0	I/O	Contains address or data or RLE data.
nAck	I	Indicates valid data driven by the peripheral when asserted. This signal handshakes with nALF in reverse.
PeriphAck (Busy)	I	This signal deasserts to indicate that the peripheral can accept data. This signal handshakes with nStrobe in the forward direction. In the reverse direction this signal indicates whether the data lines contain ECP command information or data. The peripheral uses this signal to flow control in the forward direction. It is an "interlocked" handshake with nStrobe. PeriphAck also provides command information in the reverse direction.

NAME	TYPE	DESCRIPTION
PError (nAckReverse)	I	Used to acknowledge a change in the direction the transfer (asserted = forward). The peripheral drives this signal low to acknowledge nReverseRequest. It is an "interlocked" handshake with nReverseRequest. The host relies upon nAckReverse to determine when it is permitted to drive the data bus.
Select	I	Indicates printer on line.
nALF (HostAck)	O	Requests a byte of data from the peripheral when asserted, handshaking with nAck in the reverse direction. In the forward direction this signal indicates whether the data lines contain ECP address or data. The host drives this signal to flow control in the reverse direction. It is an "interlocked" handshake with nAck. HostAck also provides command information in the forward phase.
nFault (nPeriphRequest)	I	Generates an error interrupt when asserted. This signal provides a mechanism for peer-to-peer communication. This signal is valid only in the forward direction. During ECP Mode the peripheral is permitted (but not required) to drive this pin low to request a reverse transfer. The request is merely a "hint" to the host; the host has ultimate control over the transfer direction. This signal would be typically used to generate an interrupt to the host CPU.
nInit	O	Sets the transfer direction (asserted = reverse, deasserted = forward). This pin is driven low to place the channel in the reverse direction. The peripheral is only allowed to drive the bi-directional data bus while in ECP Mode and HostAck is low and nSelectIn is high.
nSelectIn	O	Always deasserted in ECP mode.

9.2.4 REGISTER DEFINITIONS

The register definitions are based on the standard IBM addresses for LPT. All of the standard printer ports are supported. The additional registers attach to an upper bit decode of the standard LPT port definition to avoid conflict with standard ISA devices. The port is equivalent to a generic parallel port interface and may be operated in that mode. The port registers vary depending on the mode field in the ecr. The table below lists these dependencies. Operation of the devices in modes other than those specified is undefined.

Table 82 - ECP Register Definitions

NAME	ADDRESS (Note 1)	ECP MODES	FUNCTION
data	+000h R/W	000-001	Data Register
ecpAFifo	+000h R/W	011	ECP FIFO (Address)
dsr	+001h R/W	All	Status Register
dcr	+002h R/W	All	Control Register
cFifo	+400h R/W	010	Parallel Port Data FIFO
ecpDFifo	+400h R/W	011	ECP FIFO (DATA)
tFifo	+400h R/W	110	Test FIFO
cnfgA	+400h R	111	Configuration Register A
cnfgB	+401h R/W	111	Configuration Register B
ecr	+402h R/W	All	Extended Control Register

Note 1: These addresses are added to the parallel port base address as selected by configuration register

Table 83 - Extended Control Register Mode

MODE	DESCRIPTION*
000	SPP mode
001	PS/2 Parallel Port mde
010	Parallel Port Data FIFO mode
011	ECP Parallel Port mode
100	EPP mode (If this option is enabled in the configuration registers)
101	(Reserved)
110	Test mode
111	Configuration mode

*Refer to ECR Register Description on page 107

9.2.4.1 DATA and ecpAFifo PORT -ADDRESS OFFSET = 00H

9.2.4.1.1 Modes 000 and 001 (Data Port)

The Data Port is located at an offset of '00H' from the base address. The data register is cleared at initialization by RESET. During a WRITE operation, the Data Register latches the contents of the data bus. The contents of this register are buffered (non inverting) and output onto the PD0 - PD7 ports. During a oREAD operation, PD0 - PD7 ports are read and output to the host CPU.

9.2.4.1.2 Mode 011 (ECP FIFO - Address/RLE)

A data byte written to this address is placed in the FIFO and tagged as an ECP Address/RLE. The hardware at the ECP port transmits this byte to the peripheral automatically. The operation of this register is only defined for the forward direction (direction is 0). Refer to the **FIGURE 89 - ECP PARALLEL PORT FORWARD TIMING** on page 321.

9.2.4.2 DEVICE STATUS REGISTER (dsr) - ADDRESS OFFSET = 01H

The Status Port is located at an offset of '01H' from the base address. Bits 0-2 are not implemented as register bits, during a read of the Printer Status Register these bits are a low level. The bits of the Status Port are defined as follows:

BIT 3 nFault

The level on the nFault input is read by the CPU as bit 3 of the Device Status Register.

BIT 4 Select

The level on the Select input is read by the CPU as bit 4 of the Device Status Register.

BIT 5 PError

The level on the PError input is read by the CPU as bit 5 of the Device Status Register. Printer Status Register.

BIT 6 nAck

The level on the nAck input is read by the CPU as bit 6 of the Device Status Register.

BIT 7 nBusy

The complement of the level on the BUSY input is read by the CPU as bit 7 of the Device Status Register.

9.2.4.3 DEVICE CONTROL REGISTER (dcr) - ADDRESS OFFSET = 02H

The Control Register is located at an offset of '02H' from the base address. The Control Register is initialized to zero by the RESET input, bits 0 to 5 only being affected; bits 6 and 7 are hard wired low.

BIT 0 STROBE - STROBE

This bit is inverted and output onto the nSTROBE output.

BIT 1 ALF - AUTOFEED

This bit is inverted and output onto the nALF output. A logic "1" causes the printer to generate a line feed after each line is printed. A logic "0" means no autofeed.

BIT 2 nINIT - nINITIATE OUTPUT

This bit is output onto the nINIT output without inversion.

BIT 3 SELECTIN

This bit is inverted and output onto the nSLCTIN output. A logic "1" on this bit selects the printer; a logic "0" means the printer is not selected.

BIT 4 ackIntEn - INTERRUPT REQUEST ENABLE

The interrupt request enable bit when set to a high level may be used to enable interrupt requests from the Parallel Port to the CPU due to a low to high transition on the nACK input. Refer to the description of the interrupt under Operation, Interrupts.

BIT 5 DIRECTION

If mode=000 or mode=010, this bit has no effect and the direction is always out regardless of the state of this bit. In all other modes, Direction is valid and a logic 0 means that the printer port is in output mode (write); a logic "1" means that the printer port is in input mode (read).

BITS 6 and 7 -Reserved

These bits are read only logic zero.

9.2.4.4 cFifo (Parallel Port Data FIFO) - ADDRESS OFFSET = 400h**Mode = 010**

Bytes written or DMAed from the system to this FIFO are transmitted by a hardware handshake to the peripheral using the standard parallel port protocol. Transfers to the FIFO are byte aligned. This mode is only defined for the forward direction.

9.2.4.5 ecpDFifo (ECP Data FIFO) -ADDRESS OFFSET = 400H**Mode = 011**

Bytes written or DMAed from the system to this FIFO, when the direction bit is "0", are transmitted by a hardware handshake to the peripheral using the ECP parallel port protocol. Transfers to the FIFO are byte aligned.

Data bytes from the peripheral are read under automatic hardware handshake from ECP into this FIFO when the direction bit is "1". Reads or DMAs from the FIFO will return bytes of ECP data to the system.

9.2.4.6 tFifo (Test FIFO Mode) - ADDRESS OFFSET = 400H**Mode = 110**

Data bytes may be read, written or DMAed to or from the system to this FIFO in any direction. Data in the tFIFO will not be transmitted to the parallel port lines using a hardware protocol handshake. However, data in the tFIFO may be displayed on the parallel port data lines.

The tFIFO will not stall when overwritten or underrun. If an attempt is made to write data to a full tFIFO, the new data is not accepted into the tFIFO. If an attempt is made to read data from an empty tFIFO, the last data byte is re-read again. The full and empty bits must always keep track of the correct FIFO state. The tFIFO will transfer data at the maximum ISA rate so that software may generate performance metrics. The FIFO size and interrupt threshold can be determined by writing bytes to the FIFO and checking the full and serviceIntr bits.

The writeIntrThreshold can be determined by starting with a full tFIFO, setting the direction bit to "0" and emptying it a byte at a time until serviceIntr is set. This may generate a spurious interrupt, but will indicate that the threshold has been reached.

The readIntrThreshold can be determined by setting the direction bit to "1" and filling the empty tFIFO a byte at a time until serviceIntr is set. This may generate a spurious interrupt, but will indicate that the threshold has been reached.

Data bytes are always read from the head of tFIFO regardless of the value of the direction bit. For example if 44h, 33h, 22h is written to the FIFO, then reading the tFIFO will return 44h, 33h, 22h in the same order as was written.

9.2.4.7 *ister A* - ADDRESS OFFSET = 400H

Mode = 111

This register is a read only register. When read, 10H is returned. This indicates to the system that this is an 8-bit implementation. (PWord = 1 byte)

9.2.4.8 *cnfgB (Configuration Register B)* - ADDRESS OFFSET = 401H

Mode = 111

BIT 7 compress

This bit is read only. During a read it is a low level. This means that this chip does not support hardware RLE compression. It does support hardware de-compression!

BIT 6 intrValue

Returns the value on the ISA iRq line to determine possible conflicts.

BITS 5:0 Reserved

During a read are a low level. These bits cannot be written.

9.2.4.9 *ecr (Extended Control Register)* - ADDRESS OFFSET = 402H

Mode = all

This register controls the extended ECP parallel port functions.

BITS 7 - 5

These bits are Read/Write and select the Mode.

BIT 4 nErrIntrEn

Read/Write (Valid only in ECP Mode)

1: Disables the interrupt generated on the asserting edge of nFault.

0: Enables an interrupt pulse on the high to low edge of nFault. Note that an interrupt will be generated if nFault is asserted (interrupting) and this bit is written from a 1 to a 0. This prevents interrupts from being lost in the time between the read of the ecr and the write of the ecr.

BIT 3 dmaEn

Read/Write

1: Enables DMA (DMA starts when serviceIntr is 0).

0: Disables DMA unconditionally.

BIT 2 serviceIntr

Read/Write

1: Disables DMA and all of the service interrupts.

0: Enables one of the following 3 cases of interrupts. Once one of the 3 service interrupts has occurred serviceIntr bit shall be set to a 1 by hardware. It must be reset to 0 to re-enable the interrupts. Writing this bit to a 1 will not cause an interrupt.

case dmaEn=1:

During DMA (this bit is set to a "1" when terminal count is reached).

case dmaEn=0 direction=0:

This bit shall be set to 1 whenever there are writeIntrThreshold or more bytes free in the FIFO.

case dmaEn=0 direction=1:

This bit shall be set to 1 whenever there are readIntrThreshold or more valid bytes to be read from the FIFO.

BIT 1 full

Read only

1: The FIFO cannot accept another byte or the FIFO is completely full.

0: The FIFO has at least 1 free byte.

BIT 0 empty

Read only

1: The FIFO is completely empty.

0: The FIFO contains at least 1 byte of data.

Table 84 - Extended Control Register

R/W	MODE
000:	Standard Parallel Port Mode . In this mode the FIFO is reset and common collector drivers are used on the control lines (nStrobe, nALF, nInit and nSelectIn). Setting the direction bit will not tri-state the output drivers in this mode.
001:	PS/2 Parallel Port Mode. Same as above except that direction may be used to tri-state the data lines and reading the data register returns the value on the data lines and not the value in the data register. All drivers have active pull-ups (push-pull).
010:	Parallel Port FIFO Mode. This is the same as 000 except that bytes are written or DMAed to the FIFO. FIFO data is automatically transmitted using the standard parallel port protocol. Note that this mode is only useful when direction is 0. All drivers have active pull-ups (push-pull).
011:	ECP Parallel Port Mode. In the forward direction (direction is 0) bytes placed into the ecpDFifo and bytes written to the ecpAFifo are placed in a single FIFO and transmitted automatically to the peripheral using ECP Protocol. In the reverse direction (direction is 1) bytes are moved from the ECP parallel port and packed into bytes in the ecpDFifo. All drivers have active pull-ups (push-pull).
100:	Selects EPP Mode: In this mode, EPP is selected if the EPP supported option is selected in configuration register L3-CRF0. All drivers have active pull-ups (push-pull).
101:	Reserved
110:	Test Mode. In this mode the FIFO may be written and read, but the data will not be transmitted on the parallel port. All drivers have active pull-ups (push-pull).
111:	Configuration Mode. In this mode the configA, configB registers are accessible at 0x400 and 0x401. All drivers have active pull-ups (push-pull).

9.2.5 OPERATION**9.2.5.1 Mode Switching/Software Control**

Software will execute P1284 negotiation and all operation prior to a data transfer phase under programmed I/O control (mode 000 or 001). Hardware provides an automatic control line handshake, moving data between the FIFO and the ECP port only in the data transfer phase (modes 011 or 010).

Setting the mode to 011 or 010 will cause the hardware to initiate data transfer.

If the port is in mode 000 or 001 it may switch to any other mode. If the port is not in mode 000 or 001 it can only be switched into mode 000 or 001. The direction can only be changed in mode 001.

Once in an extended forward mode the software should wait for the FIFO to be empty before switching back to mode 000 or 001. In this case all control signals will be deasserted before the mode switch. In an ecp reverse mode the software waits for all the data to be read from the FIFO before changing back to mode 000 or 001. Since the automatic hardware ecp reverse handshake only cares about the state of the FIFO it may have acquired extra data which will be discarded. It may in fact be in the middle of a transfer when the mode is changed back to 000 or 001. In this case the port will deassert nALF independent of the state of the transfer. The design shall not cause glitches on the handshake signals if the software meets the constraints above.

9.2.5.2 ECP Operation

Prior to ECP operation the Host must negotiate on the parallel port to determine if the peripheral supports the ECP protocol. This is a somewhat complex negotiation carried out under program control in mode 000.

After negotiation, it is necessary to initialize some of the port bits. The following are required:

Set Direction = 0, enabling the drivers.

Set strobe = 0, causing the nStrobe signal to default to the deasserted state.

Set alf = 0, causing the nALF signal to default to the deasserted state.

Set mode = 011 (ECP Mode)

ECP address/RLE bytes or data bytes may be sent automatically by writing the ecpAFifo or ecpDFifo respectively.

Note that all FIFO data transfers are byte wide and byte aligned. Address/RLE transfers are byte-wide and only allowed in the forward direction.

The host may switch directions by first switching to mode = 001, negotiating for the forward or reverse channel, setting direction to "1" or "0", then setting mode = 011. When direction is 1 the hardware shall handshake for each ECP read data byte and attempt to fill the FIFO. Bytes may then be read from the ecpDFifo as long as it is not empty.

ECP transfers may also be accomplished (albeit slowly) by handshaking individual bytes under program control in mode = 001, or 000.

9.2.5.2.1 Termination from ECP Mode

Termination from ECP Mode is similar to the termination from Nibble/Byte Modes. The host is permitted to terminate from ECP Mode only in specific well-defined states. The termination can only be executed while the bus is in the forward direction. To terminate while the channel is in the reverse direction, it must first be transitioned into the forward direction.

9.2.5.2.2 Command/Data

ECP Mode supports two advanced features to improve the effectiveness of the protocol for some applications. The features are implemented by allowing the transfer of normal 8 bit data or 8 bit commands.

When in the forward direction, normal data is transferred when HostAck is high and an 8 bit command is transferred when HostAck is low. The most significant bit of the command indicates whether it is a run-length count (for compression) or a channel address.

When in the reverse direction, normal data is transferred when PeriphAck is high and an 8 bit command is transferred when PeriphAck is low. The most significant bit of the command is always "0". Reverse channel addresses are seldom used and may not be supported in hardware

Table 85 - Forward Channel Commands (HostAck Low) & Reverse Channel Commands (PeripAck Low)

D7	D[6:0]
0	Run-Length Count (0-127) (mode 0011 0X00 only)
1	Channel Address (0-127)

9.2.5.2.3 Data Compression

The ECP port supports run length encoded (RLE) decompression in hardware and can transfer compressed data to a peripheral. Run length encoded (RLE) compression in hardware is not supported. To transfer compressed data in ECP mode, the compression count is written to the ecpAFifo and the data byte is written to the ecpDFifo.

Compression is accomplished by counting identical bytes and transmitting an RLE byte that indicates how many times the next byte is to be repeated. Decompression simply intercepts the RLE byte and repeats the following byte the specified number of times. When a run-length count is received from a peripheral, the subsequent data byte is replicated the specified number of times. A run-length count of zero specifies that only one byte of data is represented by the next data byte, whereas a run-length count of 127 indicates that the next byte should be expanded to 128 bytes. To prevent data expansion, however, run-length counts of zero should be avoided.

9.2.5.2.4 Pin Definition

The drivers for nStrobe, nALF, nInit and nSelectIn are open-collector in mode 000 and are push-pull in all other modes.

9.2.5.2.4.1 LPC Connections

The interface can never stall causing the host to hang. The width of data transfers is strictly controlled on an I/O address basis per this specification. All FIFO-DMA transfers are byte wide, byte aligned and end on a byte boundary. (The PWord value can be obtained by reading Configuration Register A, cnfgA, described in the next section.) Single byte wide transfers are always possible with standard or PS/2 mode using program control of the control signals.

9.2.5.2.4.2 Interrupts

The interrupts are enabled by serviceIntr in the ecr register.

serviceIntr = 1 Disables the DMA and all of the service interrupts.

serviceIntr = 0 Enables the selected interrupt condition. If the interrupting condition is valid, then the interrupt is generated immediately when this bit is changed from a 1 to a 0. This can occur during Programmed I/O if the number of bytes removed or added from/to the FIFO does not cross the threshold.

The interrupt generated is ISA friendly in that it must pulse the interrupt line low, allowing for interrupt sharing. After a brief pulse low following the interrupt event, the interrupt line is tri-stated so that other interrupts may assert.

An interrupt is generated when:

For DMA transfers: When serviceIntr is "0", dmaEn is 1 and the DMA TC is received.

For Programmed I/O:

When serviceIntr is 0, dmaEn is 0, direction is "0" and there are writeIntrThreshold or more free bytes in the FIFO. Also, an interrupt is generated when serviceIntr is cleared to 0 whenever there are writeIntrThreshold or more free bytes in the FIFO.

When serviceIntr is "0", dmaEn is 0, direction is "1" and there are readIntrThreshold or more bytes in the FIFO. (2) An interrupt is also generated when serviceIntr is cleared to "0" whenever there are readIntrThreshold or more bytes in the FIFO.

When nErrIntrEn is 0 and nFault transitions from high to low or when nErrIntrEn is set from "1" to "0" and nFault is asserted.

When ackIntEn is "1" and the nAck signal transitions from a low to a high.

9.2.5.2.4.3 FIFO Operation

The FIFO threshold is set in the chip configuration registers. All data transfers to or from the parallel port can proceed in DMA or Programmed I/O (non-DMA) mode as indicated by the selected mode. The FIFO is used by selecting the Parallel Port FIFO mode or ECP Parallel Port Mode. (FIFO test mode will be addressed separately.) After a reset, the FIFO is disabled. Each data byte is transferred by a Programmed I/O cycle or PDRQ depending on the selection of DMA or Programmed I/O mode.

The following paragraphs detail the operation of the FIFO flow control. In these descriptions, <threshold> ranges from 1 to 16. The parameter FIFOTHR, which the user programs, is one less and ranges from 0 to 15.

A low threshold value (i.e. 2) results in longer periods of time between service requests, but requires faster servicing of the request for both read and write cases. The host must be very responsive to the service request. This is the desired case for use with a "fast" system.

A high value of threshold (i.e. 12) is used with a "sluggish" system by affording a long latency period after a service request, but results in more frequent service requests.

9.2.5.2.4.4 DMA Transfers

DMA transfers are always to or from the ecpDFifo, tFifo or CFifo. DMA utilizes the standard PC DMA services. To use the DMA transfers, the host first sets up the direction and state as in the programmed I/O case. Then it programs the DMA controller in the host with the desired count and memory address. Lastly it sets dmaEn to 1 and serviceIntr

to 0. The ECP requests DMA transfers from the host by encoding the LDRQ# pin. The DMA will empty or fill the FIFO using the appropriate direction and mode. When the terminal count in the DMA controller is reached, an interrupt is generated and serviceIntr is asserted, disabling DMA. In order to prevent possible blocking of refresh requests a DMA cycle shall not be requested for more than 32 DMA cycles in a row. The FIFO is enabled directly by the host initiating a DMA cycle for the requested channel, and addresses need not be valid. An interrupt is generated when a TC cycle is received. (Note: The only way to properly terminate DMA transfers is with a TC cycle.)

DMA may be disabled in the middle of a transfer by first disabling the host DMA controller. Then setting serviceIntr to 1, followed by setting dmaEn to 0, and waiting for the FIFO to become empty or full. Restarting the DMA is accomplished by enabling DMA in the host, setting dmaEn to 1, followed by setting serviceIntr to 0.

9.2.5.2.4.5 DMA Mode - Transfers from the FIFO to the Host

Note: In the reverse mode, the peripheral may not continue to fill the FIFO if it runs out of data to transfer, even if the chip continues to request more data from the peripheral.

The ECP requests a DMA cycle whenever there is data in the FIFO. The DMA controller must respond to the request by reading data from the FIFO. The ECP stops requesting DMA cycles when the FIFO becomes empty or when a TC cycle is received, indicating that no more data is required. If the ECP stops requesting DMA cycles due to the FIFO going empty, then a DMA cycle is requested again as soon as there is one byte in the FIFO. If the ECP stops requesting DMA cycles due to the TC cycle, then a DMA cycle is requested again when there is one byte in the FIFO, and serviceIntr has been re-enabled.

9.2.5.2.4.6 Programmed I/O Mode or Non-DMA Mode

The ECP or parallel port FIFOs may also be operated using interrupt driven programmed I/O. Software can determine the writeIntrThreshold, readIntrThreshold, and FIFO depth by accessing the FIFO in Test Mode. Programmed I/O transfers are to the ecpDFifo at 400H and ecpAFifo at 000H or from the ecpDFifo located at 400H, or to/from the tFifo at 400H. To use the programmed I/O transfers, the host first sets up the direction and state, sets dmaEn to 0 and serviceIntr to 0. The ECP requests programmed I/O transfers from the host by activating the PINTR pin. The programmed I/O will empty or fill the FIFO using the appropriate direction and mode.

Note: A threshold of 16 is equivalent to a threshold of 15. These two cases are treated the same.

9.2.5.2.4.7 Programmed I/O - Transfers from the FIFO to the Host

In the reverse direction an interrupt occurs when serviceIntr is 0 and readIntrThreshold bytes are available in the FIFO. If at this time the FIFO is full it can be emptied completely in a single burst, otherwise readIntrThreshold bytes may be read from the FIFO in a single burst.

readIntrThreshold = (16-<threshold>) data bytes in FIFO

An interrupt is generated when serviceIntr is 0 and the number of bytes in the FIFO is greater than or equal to (16-<threshold>). (If the threshold = 12, then the interrupt is set whenever there are 4-16 bytes in the FIFO). The host must respond to the request by reading data from the FIFO. This process is repeated until the last byte is transferred out of the FIFO. If at this time the FIFO is full, it can be completely emptied in a single burst, otherwise a minimum of (16-<threshold>) bytes may be read from the FIFO in a single burst.

9.2.5.2.4.8 Programmed I/O - Transfers from the Host to the FIFO

In the forward direction an interrupt occurs when serviceIntr is 0 and there are writeIntrThreshold or more bytes free in the FIFO. At this time if the FIFO is empty it can be filled with a single burst before the empty bit needs to be re-read. Otherwise it may be filled with writeIntrThreshold bytes.

writeIntrThreshold = (16-<threshold>) free bytes in FIFO

An interrupt is generated when serviceIntr is 0 and the number of bytes in the FIFO is less than or equal to <threshold>. (If the threshold = 12, then the interrupt is set whenever there are 12 or less bytes of data in the FIFO.) The host must respond to the request by writing data to the FIFO. If at this time the FIFO is empty, it can be completely filled in a single burst, otherwise a minimum of (16-<threshold>) bytes may be written to the FIFO in a single burst. This process is repeated until the last byte is transferred into the FIFO.

9.3 THE PARALLEL PORT PHYSICAL INTERFACE (PPPI)

The Parallel Port Physical Interface (PPPI) has three source modes of operation. The PPPI Mode determines the source device that controls the PPPI.

Table 86 - Parallel Port Multiplexing Options

PPPI CONTROLLING SOURCE DEVICE	DESCRIPTION	CONFIG REGISTER 0X25 BITS[4:3]	PP_HA
8051	The parallel port physical interface is configured as a SPP mode bi-directional parallel port controlled directly by the 8051 through a set of memory mapped external RAM registers.	[X:X]	0
FDC	The parallel port physical interface is configured as a standard Floppy Disk Drive interface. All configuration and control bits pertaining to the FDC logical device apply to the PPPI in this mode	[1:0] or [0:1]	1
Host	The parallel port physical interface is configured as the legacy parallel port which supports Compatible, SPP, EPP and ECP modes of operation. All configuration and control bits pertaining to the parallel port logical device apply to the PPPI in this mode.	[0:0]	1

When PPPI is in the Host Mode, the Parallel Port logical device owns/controls the parallel port interface, its state (i.e., pwrdown) determines the states of the pins. The parallel port enable bit (Bit D7 of the MMCR DISABLE register) only effects the PPPI pins when PPPI is in the Host Mode.

When PPPI is in the FDC Mode, the FDC logical device owns/controls the Parallel Port interface, its state (i.e., powerdown) determines the state of the pins.

When PPPI is in the 8051 Mode, the 8051 controls/owns the parallel port interface and has direct control of the Parallel Port Physical Interface pins. In 8051 PPPI Mode, the Parallel Port Output pins are always enabled or driven and only tri-state when VCC2 is removed (powergood=0).

When PPPI is not in the Host Mode, then it is left as a function of the software driver or BIOS to deactivate the DRQ and IRQ of the Parallel Port Logical Device by either setting its DMA Channel Select Configuration Register to 0x04 and its Interrupt Select Configuration Register to 0x00 or by clearing the Parallel Port Logical Device's Activate bit. Also, When PPPI is not in the Host Mode, then the following parallel port logical device registers are read as follows:

Data Register (read): last Data Register (write).

Control Register (read): read as "cable not connected" [STROBE, LF, and SLC = 0 and nINIT = 1].

Status Register (read): nBUSY, PE, SLCT = 0, nACK, nERR = 1.

Note: Bit D7 of the 8051 memory mapped DISABLE register (parallel port enable bit) has no effect on the parallel port physical interface pins when the port is owned by any source other than the the Host (parallel port logical device).

9.3.1 PPPI 8051 MODE

Refer to 8051 controlled parallel port section for more details. When this mode is selected, the parallel port is not available to the Host

9.3.2 PPPI HOST (LEGACY) MODE

In this mode, the parallel port pins are controlled by the host through the parallel port logical device. Refer to the Configuration section and the Parallel Port section for information on the configuration and control registers respectively.

9.3.3 PPPI FDC MODE

In this mode, the floppy disk control signals are available on the parallel port pins. When this mode is selected, the parallel port is not available to the Host.

9.3.3.1 PPPI FDC pin out

The FDC signals are muxed onto the Parallel Port pins as shown in the following table. Outputs are OD14, Open Drain which sink 14ma.

Table 87 - Parallel Port Floppy Pin Out

CONNECTOR PIN #	PARALLEL PORT SPP MODE		FDC MODE	
	SIGNAL NAME	PIN DIRECTION	SIGNAL NAME	PIN DIRECTION
1	nSTROBE	I/O	nDS0	(O)*
2	PD0	I/O	nINDEX	I
3	PD1	I/O	nTRK0	I
4	PD2	I/O	nWP	I
5	PD3	I/O	nRDATA	I
6	PD4	I/O	nDSKCHG	I
7	PD5	I/O	-	-
8	PD6	I/O	nMTR0	(O)*
9	PD7	I/O	-	-
10	NACK	I	nDS1	(O)*
11	BUSY	I	nMTR1	(O)*
12	PE	I	nWDATA	O
13	SLCT	I	nWGATE	O
14	nALF	I/O	DRV DEN0	O
15	nERR	I	nHDSEL	O
16	nINIT	I/O	nDIR	O
17	nSLCTIN	I/O	nSTEP	O

Note: These pins are outputs in mode PPF2; in mode PPF1 only one pair, depending on Drive Swap bit, is active and should be connected to the FDD, the inactive pair should not be connected to the FDD.

9.3.3.2 PPPI FDC Control

There are two modes of operation, PPF1 and PPF2. These modes can be selected in Global Configuration Register 0x25 (Device Mode), bits 3 and 4. PPF1 mode has only drive 1 on the parallel port pins; PPF2 mode has drive 0 and 1 on the parallel port pins. **Note:** The Drive Swap bit, FDD Mode Configuration Register bit-4 (LD0_CRF0), can be used to swap the motor and drive select outputs on of the Parallel Port FDC.

Table 88 - Parallel Port FDC Modes Of Operation

PPF1:	Drive 0 is on the FDC pins. Drive 1 is on the parallel port pins.	Drive Swap bit = 0
	Drive 1 is on the FDC pins. Drive 0 is on the parallel port pins.	Drive Swap bit = 1
PPF2:	Drive 0 is on the parallel port pins. Drive 1 is on the parallel port pins.	

The following FDC output pins are Open Drain 14mA outputs when the Parallel Port FDC is selected by the drive select register. Reminder, it is up to the designer to provide pull-up resistors on these FDC output pins:

nWDATA, DRV DEN0, nHDSEL, nWGATE, nDIR, nSTEP, nDS1, nDS0, nMTR0, nMTR1.

9.3.3.3 PPPI 8051 Control

In this mode, the parallel port pins are controlled by the 8051 through a set of three on-chip memory mapped registers. The memory mapped registers are the PAR PORT STATUS, the PAR PORT CONTROL, and the PAR PORT DATA registers. In this mode, the parallel port pins are not controlled by the parallel port logical device. Refer to the 8051 section of this specification for information on these control registers.

Table 89 - FDC on Parallel Port Activation Control

FDC PARALLEL PORT MODE CR25 BITS [4:3]	FDC ACTIVE BIT L0-CR30-BIT0	FDC IN POWER DOWN	PARALLEL PORT ACTIVE BIT	PARALLEL PORT IN POWER DOWN	PP_HA	PARALLEL PORT PINS (MODE) STATE. (See Note 23)
01 or 10	0	x	x	x	1	(FDC) Inactive
01 or 10	1	N	x	x	1	(FDC) Active
01 or 10	1	Y	x	x	1	(FDC) Inactive
00 or 11	X	x	0	x	1	(Parallel Port) Inactive
00	X	x	1	N	1	(Parallel Port) Active
00	X	x	1	Y	1	(Parallel Port) Inactive
00	X	x	x	x	0	(8051 Mode) Active

Note 23: Inactive = Hi-z on pins, Active = OD14/O14 as per selected mode.

Note 24: The FDD pins that are multiplexed onto the Parallel Port function independently of the state of the Parallel Port logical device. This affects the pins when CR25 bits [4:3] are 01 or 10.

Note 25: FDC Mode Bits L0-CRF0-B[7:6] have no effect on the parallel port Pins.

9.3.4 FDC_NPP PIN INDUCED PPPI MODES TRANSITIONS

The FDC_nPP detects an external interface change (of an attached cable) to the PPPI interface. This logic level change indicates whether a parallel port and Floppy Disk interface is connected to PPPI. A high on the FDC_nPP pin indicates that a FDC mode PPPI interface is required. A low on the FDC_nPP pin indicates that a parallel port interface is required. (See Table 90 – FDC_nPP Initiated Pppi Modes Transitions). Any change in logic level can cause an 8051 interrupt. The 8051 can then generate an SMI or SCI. The transition is then software controlled via the 8051 and the host requires the following:

The host must change the state of all configuration and control bits pertaining to the FDC logical device and/or the parallel port logical device including the state of CR25[4:3].

The 8051 must change the state of the PP_HA bit.

Table 90 – FDC_nPP Initiated Pppi Modes Transitions

PPPI MODE (SOURCE DEVICE CONTROLLING THE PPPI)	TRANSITION DESCRIPTION	PREVIOUS STATE		NEXT STATE
		CONFIG REGISTER 0X25 BITS[4:3]	PP_HA 0=8051 CONTRO L	FDC_nPP pin 0=FDC INTERFACE REQUEST
8051 →FDC	The PPPI transitions from being configured as an 8051-controlled SPP mode bi-directional parallel to being configured as a standard Floppy Disk Drive interface. As part of this PPPI mode transition, the host must change the state of all configuration and control bits pertaining to the FDC logical device including the state of CR25[4:3].	[X:X]	0	0
Host →FDC	The PPPI transitions from being configured as a legacy parallel port that supports Compatible, SPP, EPP and ECP modes of operation to being configured as a standard Floppy Disk Drive interface. As part of this PPPI mode transition, the host must change the state of all configuration and control bits pertaining to the FDC logical device including the state of CR25[4:3].	[0:0]	1	0
FDC→8051	The PPPI transitions from being configured as a standard Floppy Disk Drive interface to a being configured as a SPP mode bi-directional parallel port controlled directly by the 8051 through a set of memory mapped external RAM registers. All configuration and control bits pertaining to the FDC logical device <u>do not</u> apply to the PPPI in this mode. As part of this transition, the 8051 must change the state of the PP_HA bit from one to zero.	[1:0] or [0:1]	1	1
FDC→ Host	The PPPI transitions from being configured as a standard Floppy Disk Drive interface to being configured as a legacy parallel port that supports Compatible, SPP, EPP and ECP modes of operation. As part of this transition, the host must change the state of all configuration and control bits pertaining to the parallel port logical device including the state of CR25[4:3].	[1:0] or [0:1]	1	0

10 AUTO POWER MANAGEMENT

Auto Power Management (APM) capabilities are provided for the following logical devices: Floppy Disk, UART, Infrared and the Parallel Port. For each logical device, two types of power management are provided; direct powerdown and auto powerdown.

10.1 SYSTEM POWER MANAGEMENT

See the "8051 System Power Management" section for details.

FDC Power Management

Direct power management is controlled through Global Configuration Register 22 (CR22). Refer to CR22 in the Configuration section for more information. Auto Power Management is enabled through bit-0 of CR23. When set, this bit allows the FDC to enter powerdown when all of the following conditions have been met:

The motor enable pins of the FDC's DOR register are inactive (zero). The LPC47N252 must be idle; the MSR register = 80h and the FDC's INTerrupt = 0 (INT may be high even if MSR = 80H due to polling interrupts). The head unload timer must have expired. The Auto powerdown timer (10msec) must have timed out. An internal timer is initiated as soon as the auto powerdown command is enabled. The LPC47N252 is then powered down when all the conditions are met. Disabling the auto powerdown mode cancels the timer and holds the FDC block out of auto powerdown.

Note: At least 8us delay should be added when exiting FDC Auto Powerdown mode. If the operating environment is such that this delay cannot be guaranteed, the auto powerdown mode should not be used and Direct powerdown mode should be used instead. The Direct powerdown mode requires at least 8us delay at 250K bits/sec configuration and 4us delay at 500K bits/sec. The delay should be added so that the internal microcontroller can prepare itself to accept commands.

10.2 DSR FROM POWERDOWN

Bit 6 of the FDC's DSR register is another FDC Bit powerdown bit. If DSR powerdown is used when the LPC47N252 is in auto powerdown, the DSR powerdown will override the auto powerdown. However, when the LPC47N252 is awakened from DSR powerdown, the auto powerdown will once again become effective.

10.3 WAKE UP FROM AUTO POWERDOWN

If the LPC47N252 enters the Powerdown State through the auto powerdown mode, then the LPC47N252 can be awakened by reset or by appropriate access to certain registers.

If a hardware or software reset is used then the LPC47N252 will go through the normal reset sequence. If the access is through the selected registers, then the FDC resumes operation as though it was never in powerdown. Besides activating the nRESET_OUT pin or one of the software reset bits in the DOR or DSR registers, the following register accesses will wake up the LPC47N252:

Setting any one of the motor enable bits in the DOR register (reading the DOR does not awaken the LPC47N252).

A read from the MSR register.

A read from or a write to the Data register.

Once awake, the FDC will reinitiate the auto powerdown timer for 10 ms. The LPC47N252 will powerdown again when all the powerdown conditions are satisfied.

10.4 REGISTER BEHAVIOR

Table 91 shows the AT and PS/2 (including Model 30) configuration registers available. It also shows the type of access permitted. In order to maintain software transparency, access to all the registers is maintained. As **Table 91** shows, two sets of registers are distinguished based on whether their access results in the LPC47N252 remaining in powerdown state or exiting it.

Access to all other registers is possible without awakening the LPC47N252. These registers can be accessed during powerdown without changing the status of the LPC47N252. A read from these registers will reflect the true status as shown in the register description in the FDC section. Writes to these registers will result in the LPC47N252 retaining the data and subsequently reflecting it when the LPC47N252 awakens.

Accessing the LPC47N252 during powerdown may cause an increase in the power consumption by the LPC47N252. The LPC47N252 will revert back to its low power mode when the access has been completed.

10.5 PIN BEHAVIOR

The LPC47N252 is specifically designed for portable PC systems in which power conservation is a primary concern. This makes the behavior of the pins during powerdown very important.

The pins which interface to the floppy disk drive are disabled so that no power will be drawn through the LPC47N252 as a result of any voltage applied to the pin within the VCC2 power supply range. Most of the pins that interface to the system are left active to monitor system accesses that may wake up the LPC47N252.

10.6 SYSTEM INTERFACE PINS

Table 92 gives the state of the system interface pins in the powerdown state. Pins unaffected by the powerdown are labeled "Unchanged". Input pins are "Disabled" to prevent them from causing currents internal to the LPC47N252 when they have indeterminate input values.

Table 91 - PC/AT and PS/2 Available Registers

BASE + ADDRESS	AVAILABLE REGISTERS		ACCESS PERMITTED
	PC/AT	PS/2 (Model 30)	
Access to these registers DOES NOT wake up the LPC47N252			
00H	----	SRA	R
01H	----	SRB	R
02H	DOR (1)	DOR (1)	R/W
03H	---	---	---
04H	DSR (1)	DSR (1)	W
06H	---	---	---
07H	DIR	DIR	R
07H	CCR	CCR	W
Access to these registers wakes up the LPC47N252			
04H	MSR	MSR	R
05H	Data	Data	R/W

Note 1: Writing to the DOR or DSR does not wake up the LPC47N252, however, writing any of the motor enable bits or doing a software reset (via DOR or DSR reset bits) will wake up the LPC47N252.

Table 92 - State of System Pins in FDC Auto Powerdown

SYSTEM PINS	STATE IN AUTO POWERDOWN
LAD[3:0]	Unchanged
LDRQ#	Unchanged
LPCPD#	Unchanged
LFRAME#	Unchanged
PCI_RESET#	Unchanged
PCI_CLK	Unchanged
SER_IRQ	Unchanged
nRESET_OUT	Unchanged

10.7 FDD INTERFACE PINS

All pins in the FDD interface, which can be connected directly to the floppy disk drive itself, are either DISABLED or TRISTATED. Pins used for local logic control or part programming are unaffected. Table 93 depicts the state of the floppy disk drive interface pins in the Powerdown State.

10.7.1 FDD POWER DOWN PIN (FPD) BEHAVIOR

The FPD pin can be used to automatically shut off power to the floppy disk drive when it is not required. The FPD pin is an active high output signal that is driven based on the states of the FDC. Whenever the FDC Shutdown bit is set (see FDD Mode Register, bit-5 in the Configuration Register Section) the FPD pin goes high. If the FDC Shutdown bit is not set then the FPD pin will go high whenever the FDC bit (see bit 0 of the Power Mgmt Register in the Configuration Section) is set and the FDC has entered an auto powerdown state as described above. If neither the FDC Shutdown bit nor the FDC bit are set then the FPD pin goes active “high” when the Power-down bit is set (see bit 6 of the Data Rate Select Register [DSR]) and “low” when the Powerdown bit is cleared. Refer to Table 94 - Fdd Power Down Pin Behavior.

Table 93 - State Of Floppy Disk Drive Interface Pins In FDC Powerdown

FDD PINS	STATE IN FDC AUTO POWERDOWN
INPUT PINS	
nRDATA	Input
nWPROT	Input
nTRK0	Input
nINDEX	Input
nDSKCHG	Input
OUTPUT PINS	
nMTR[1:0]	Tristated
nDS[1:0]	Tristated
nDIR	Active
nSTEP	Active
nWDATA	Tristated
WGATE	Tristated
nHDSEL	Active
DRV DEN[1:0]	Active
FPD	Active

Table 94 - Fdd Power Down Pin Behavior

POWER DOWN BIT, DSR, BIT-6	FDC BIT, GCR23 BIT-0 AUTO POWER DOWN	FDC SHUTDOWN BIT, FDD MODE REGISTER	FPD PIN STATE
0	0	0	0
1	0	0	1
X	1	0	1 (Note)
X	X	1	1

Note: The FPD pin will go active when the FDC auto powers down. Refer to the FDC auto power management section for more details.

10.8 UART POWER MANAGEMENT

Direct power management is controlled by CR22. Refer to CR22 in the Configuration Section for more information.

Auto power management is enabled by CR23 bit 4 and bit 5. When set, these bits allow the following auto power management operations:

The transmitter enters auto powerdown when the transmit buffer and shift register are empty.

The receiver enters powerdown when the following conditions are all met:

Receive FIFO is empty

The receiver is waiting for a start bit

Note: While in powerdown the Ring Indicator interrupt is still valid.

10.9 EXIT AUTO POWERDOWN

The transmitter exits powerdown on a write to the transmit buffer. The receiver exits auto powerdown when RXD changes state.

10.10 PARALLEL PORT POWER MANAGEMENT

Direct power management is controlled by CR22. Refer to CR22 in the Configuration Section for more information.

Auto power management is enabled by CR23 bit 3. When set, this bit allows the ECP or EPP logical parallel port blocks to be placed into powerdown when not being used.

The EPP logic is in powerdown under any of the following conditions:

- 1) EPP is not enabled in the configuration registers.
- 2) EPP is not selected through ecr while in ECP mode.

The ECP logic is in powerdown under any of the following conditions:

- 1) ECP is not enabled in the configuration registers.
- 2) SPP, PS/2 Parallel port or EPP mode is selected through ecr while in ECP mode.

10.11 EXIT AUTO POWERDOWN

The parallel port logic can change powerdown modes when the ECP mode is changed through the ecr register or when the parallel port mode is changed through the configuration registers.

11 8051 EMBEDDED CONTROLLER

11.1 8051 FUNCTIONAL OVERVIEW

The High-Performance 8051 embedded controller is a fully static CMOS core compatible with the industry- standard 80C51 microcontroller. The high-performance 8051 features include:

- 2.5X average instruction execution speed improvement over the entire instruction set; i.e., typical 4-clock instruction cycle in high-performance 8051 vs. 12-clock instruction cycle in standard 8051.
- Faster clock speed: 32MHz or higher vs. 16MHz in standard 8051.
- Dual Data Pointers
- More Interrupts: Power-Fail, External Interrupt 2, External Interrupt 3, etc.
- A set of External Memory/Mapped Control Registers provides the 80C51 core with the ability to directly control many functional blocks of the LPC47N252.

11.1.1 FEATURES

- Internal 64K Flash ROM
- Programmed From Direct Parallel Interface, 8051, or LPC Host
- 2k-Byte Lockable Boot Block
- 256 Byte Internal Scratch ROM
- 256 Bytes Internal Data RAM
- 256 Bytes of External Data RAM
- 256 Byte External Memory/Mapped Control Register Area
- 128 Byte Special Function Register Area
- Access to 256 Byte RTC CMOS RAM
- 8042 style Keyboard Controller Host Interface
- Eleven Interrupt Sources
- Watch Dog Timer (WDT)
- Ring Oscillator with Fail Safe Control

11.2 HIGH-PERFORMANCE 8051 IMPLEMENTED FEATURES

There are five significant features implemented in the high-performance 8051 core. These features, summarized in Table 95, are described more fully in the sub-sections that follow.

Table 95 - High-Performance 8051 Implemented Features

FEATURE	VALUE	DESCRIPTION
Internal RAM Size	256 (bytes)	The internal RAM size is 256 bytes to maintain compatibility with existing implementations.
Internal Timers ²	3	There are three internal Timers (T0, T1 & T2). The external inputs for Timer/Counter T0, T1, and T2, as well as the Timer/Counter 2 capture/reload trigger T2EX are not supported in the LPC47N252.
Serial Ports	1	There is one Serial Port.
Interrupts	11	The high-performance 8051 interrupt unit provides 11 interrupt sources (see Table 108 on page 137).

11.2.1 FUNCTIONAL BLOCKS

Below are the functional blocks that the 8051 core has control of through its on-chip memory/mapped external registers.

- 8042 Sytle Keyboard Controller Interface
- Extended Interrupts
- Power Management Functions
- Direct Keyboard Scan Matrix (up to 128 keys)
- Four channel PS/2 Interface
- Dual Access Bus Interface
- LED controls
- RTC CMOS RAM Access
- 8051 Control of the Parallel Port Interface
- 83 General Purpose I/O (GPIO) pins
- ACPI Embedded Controller
- PM1 Block
- Three Pulse Width Modulators
- Dual Fan Tachometer interface

11.2.2 HIGH-PERFORMANCE 8051 CYCLE TIMING AND INSTRUCTION SET

The high-performance 8051 processor offers increased performance by executing instructions in a 4-clock cycle, as opposed to the standard 8051. The shortened bus timing improves the instruction execution rate for most instructions by a factor of three over the standard 8051 architectures.

Some instructions require a different number of instruction cycles on the high-performance 8051 than they do on the standard 8051. In the standard 8051, all instructions except for MUL and DIV take one or two instruction cycles to complete. In the high-performance 8051 architecture, instructions can take between one and five instructions to complete. The average speed improvement for the entire instruction set is approximately 2.5X. See Table 328 - 8051 Instruction Set on page 15 for number of cycles on individual instruction queries.

11.3 POWERING UP OR RESETTING THE 8051

11.3.1 DEFAULT RESET CONDITIONS

The LPC47N252 has two sources of reset: a VCC1 Power On Reset (VCC1 POR) or a VCC2 POR. An LPC47N252 reset from any of these sources will cause the hardware response shown in Table 101, 8051 On-Chip External Memory Mapped Registers. Note that the values shown are those prior to any resident firmware control. Refer to Table 101 for the effect of each type of reset on each of the on-chip registers.

11.3.1.1 Power-Up Sequence

When the 8051 first powers up by VCC1, the ring oscillator is started, once this has stabilized, the 8051 starts executing from program address 00. Once running, the 8051 can access all of the registers that are on VCC1 and if VCC2 is at 3.3V it can access all of the registers on VCC2. For on-chip registers powered by VCC1 which are reset upon VCC2 Power On Reset (VCC2 POR), it is important that 8051 firmware not initialize or write to any of these registers until 1ms following VCC2 = 3.3V AND PWRGD = 1 (See Table 101)

Note: In order to guarantee that the external Flash device has powered up and is ready to operate before the 8051 attempts to access it, the internal VCC1 POR pulse has been extended to 20ms. The internal VCC1 POR signal is asserted upon VCC1 reaching a valid level and will remain asserted for a period of 20ms following the assertion of the VCC1_PWRGD pin.

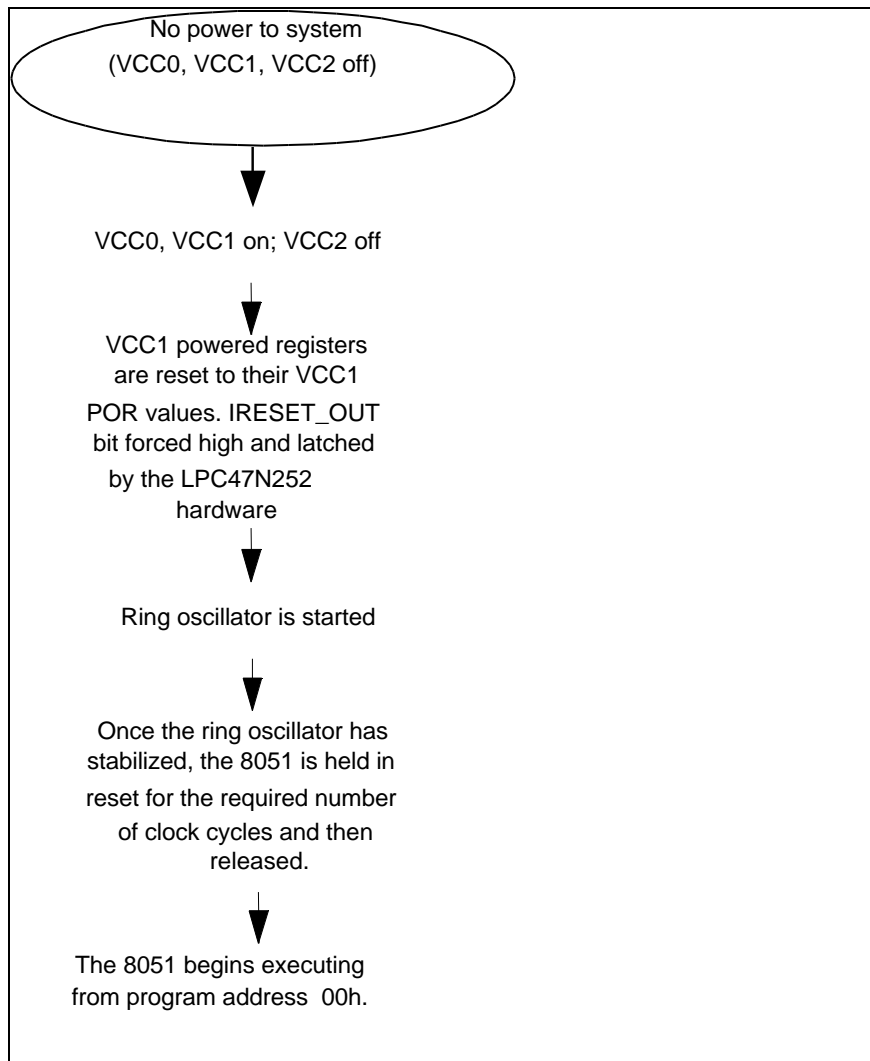


FIGURE 11 - SYSTEM POWER UP SEQUENCE

System Reset Sequence

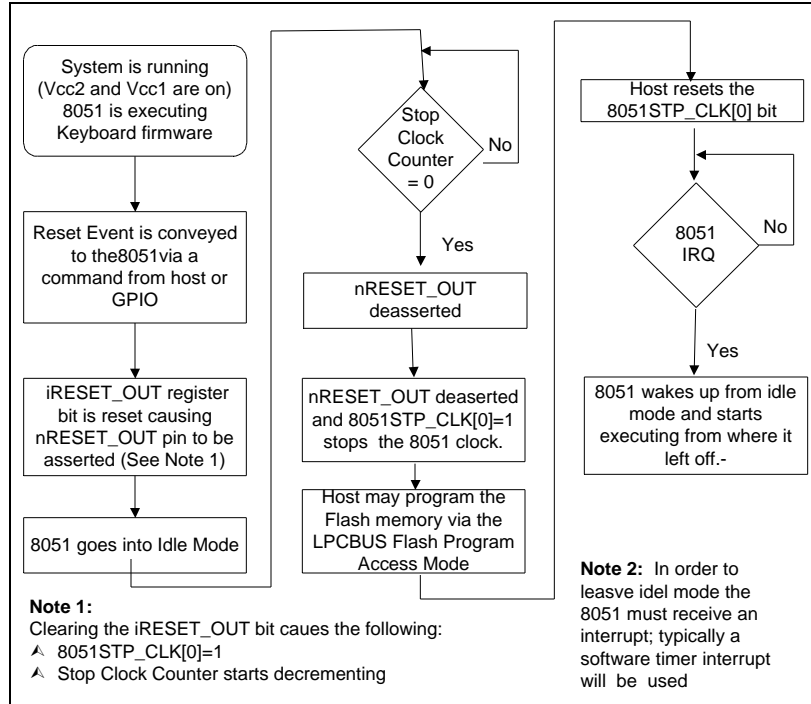


FIGURE 12 - TYPICAL SYSTEM RESET SEQUENCE

11.4 CPU RESET SEQUENCE

Often the Host CPU (x486 or Pentium) is reset by the hardware signal, CPU_RESET, which is issued by software to switch the Processor from Protected, or "Virtual 86", mode back to Real mode. CPU_RESET can be generated from the LPC47N252 8051 core or it may be generated from other logic on the PC motherboard. CPU_RESET is meant only to reset the CPU; the rest of the system continues to run normally, including the keyboard BIOS in the 8051.

11.5 8051 CLOCK CONTROLS

The LPC47N252 has two clock source:

The 8051 may program it self to run off of an internal ring oscillator having a frequency range between 4 and 12MHz. This is not a precise clock, but is meant to provide the 8051 with a clock source when VCC2 is shut down in the system.

The external clock source is from a 14.318MHz TTL compatible clock. VCC2 must be powered in order for this to occur.

11.5.1 FREQUENCY CONTROLS

The KBDCLK ENABLE bit controls the running of the 8051 PLL clock and the KBDCLK[1:0] control bits in the KSTP_CLK register (MMCR 0x7F27) select the 8051 system clock frequencies. The Kahuna 8051 can run up to 32MHz.

Table 96 - STOP_COUNT Register

	HOST ADDRESS	8051 ADDRESS				POWER PLANE		DEFAULT	
	-	0x7F2F				VCC1		0x00	
	D7	D6	D5	D4	D3	D2	D1	D0	
HOST TYPE	-	-	-	-	-	-	-	-	
8051 TYPE	R	R	R	R	R/W	R/W	R/W	R/W	
BIT NAME	Reserved				STP_CNT[3:0]				

STP_CNT[x]

This defines the number of machine cycles from when the internal IRESET_OUT bit is cleared until the external nRESET_OUT pin goes inactive high (deasserts).

Table 97 - KSTP_CLK Register

	HOST ADDRESS	8051 ADDRESS	POWER PLANE				DEFAULT	
	-	0x7F27	VCC1				0x10	
	D7	D6	D5	D4	D3	D2	D1	D0
HOST TYPE	-	-	-	-	-	-	-	-
8051 TYPE	R/W	R/W	R/W	R/W	R	R	R/W	R/W
BIT NAME	KBDCLK[1:0] (See Table 98)		KBCLK/ ROSC	ROSCEN	Reserved		PLL_STOP	KBDCLK ENABLE

Note 26 – When VCC1 is active and the ROSCEN bit changes from “0” to “1”, there is a delay of 6 μ s max. before the ring oscillator starts.

KBDCLK/ENABLE

When the KBDCLK ENABLE bit is “0”, the 8051 PLL clock is stopped, like when the KBDCLK[1:0] = 0,0 in the FDC37C95X. When KBDCLK ENABLE is “1”, the 8051 PLL clock is running (See Table 98 - KBDCLK Control Bit Encoding.)

PLL_STOP

The PLL_STOP bit D1 is used to control the power state of the 14.318MHz PLL. When the PLL_STOP bit is “1” the PLL and all of the internal clocks except for the RTC and Ring Oscillator are stopped. When the PLL_STOP bit is “0” the PLL and all of the internal clocks are running. When VCC2 is active and the PLL_STOP bit changes from “1” to “0”, there is a delay of 100 μ s max. before the PLL clocks are stable.

ROSCEN

This bit reflects the state of the ring oscillator clock at all times. The 8051 can write this bit to start or stop the ring oscillator. Other hardware events can also start or stop this clock.

= 1 turn on ring oscillator

= 0 turn off ring oscillator

This bit is reset when the 8051 goes into “SLEEP” mode and is set when the 8051 first wakes up from “SLEEP” mode.

KBCLK/ROSC

This bit is used to control the clock source for the 8051.

1 = 8051 clock source is KBCLK

0 = 8051 clock source is ring oscillator.

This bit is reset when the 8051 just wakes up from the “SLEEP” mode

KBDCLK[1:0]

These 2 bits control the 8051 system clock frequencies (See Table 98 - KBDCLK Control Bit Encoding)

Table 98 - KBDCLK Control Bit Encoding

KBDCLK[1:0] BITS (see Table 97) KSTP_CLK REGISTER		KBD CLOCK FREQUENCIES
D7 = KBDCLK[1]	D6 = KBDCLK[0]	LPC47N252
0	0	12MHz
0	1	16MHz
1	0	24MHz
1	1	32MHz

11.6 8051 RING OSCILLATOR FAIL-SAFE CONTROLS

A fail-safe control for the 8051 ring oscillator protects against unpredicted VCC2 power failures. The fail-safe ring oscillator sequence occurs as follows:

- 1) A VCC2 power-fail event is detected when the PWRGD pin changes from “1” to “0” (see FIGURE 3 on page 23).
- 2) The power-fail event sequence starts the 8051 Ring Oscillator. The Ring Oscillator frequency range is 4MHz to 12MHz.
- 3) After a delay of 2.76µs max. the 8051 clock starts transitioning to the Ring Oscillator.
- 4) A smooth transition requires two ring clocks and two PPL clocks.
- 5) An addition 2 µs delay is incorporated to protest the rest of the chip.
- 6) After a maximum total elapsed time of less then 6 µs after PWRGD pin changes from “1” to “0”, the 8051 system clock is switched to the ring oscillator.

Note: Following a power fail event, VCC2 must be $\geq 3V$ and the 14.318MHz input clock CLOCKI must remain stable for 10µs min. (FIGURE 4).

An 8051power-fail interrupt (pfi) is generated to inform the 8051 of the power fail event.

There are four functional power-fail event scenarios. The actions taken for each are described in **Table 99**.

Table 99 - Power-Fail Event Actions

	8051 STATE	ACTIONS			DESCRIPTION
		ASSERT PGI ¹	ASSERT RING OSC. ²	ASSERT 8051 FLASH ACCESS	
1	Sleeping on Ring Osc.	✓	-	-	No fail-safe actions taken
2	Running on Ring Osc.	✓	-	-	No fail-safe actions taken; 8051 can respond ro PFI if needed.
3	Running on PLL	✓	✓	-	Internal PWRGD is delayed until ring Osc. is asserted.
4	Stopped on PLL	✓	✓	✓	Internal PWRGD is delayed until ring Osc. is asserted and the 8051 controls the flash.

Note¹: PGI is the Powergood Interrupt bit D0 in the PWRGD_INT register (see **Power Fail IRQ** on page 147).

Note²: The 8051 is switched to the Ring Oscillator after a delay. (See PWRGD and VCC1_PWRGD timing is illustrated in **FIGURE 3** through **FIGURE 5**.)

11.7 8051 MEMORY MAP

The LPC47N252 8051 has two types of Flash support:

64k embedded Flash ROM (see section 12 on page 151 or

The External Flash Interface using the KBD Scan Interface that enables the 8051 program memory to reside in an external ROM device (see 13.11.3)

The 64k embedded Flash ROM flash support provides a 256-byte Internal Scratch ROM from which the 8051 can execute program code when the 8051 Code Fetch Access interface or when the 8051 Program Access interface is selected by the Flash Program Interface Decoder (see section 13.2 Flash Program Interface Decoder). The MMC bit in CONFIGURATION REGISTER 0 (MMCR 0x7FF4 see 11.8.3.4) controls the Scratch ROM.

11.8 8051 CONTROL REGISTERS

11.8.1 SPECIAL FUNCTION REGISTERS (SFRS)

The high-performance 8051 includes SFRs to support the extended interrupt unit, timer 2, and Bit-wise Addressable 8051 SFR GPIOs. (See APPENDIX B HIGH PERFORMANCE 8051 EXTENDED INTERRUPT UNIT and Section 24.5) The high-performance 8051 does not support the MISZ register.

Table 100 - 8051 Control Registers

SFR REGISTER NAME	ADDR	FIX BIT REGISTERS								VCC1 POR	NOTE	REF. PAGE
		D7	D6	D5	D4	D3	D2	D1	D0			
SGPIO J ⁽⁴⁾	80H									00H	Note 30 Note 31	
SP	81H									7H		
DPLO	82H											
DPHO	83H											
DPL1	84H										Note 27	
DPH1	85H										Note 27	
DPS	86H	0	0	0	0	0	0	0	SEL		Note 27	
PCON	87H	SMOD0	-	1	1	GF1	GF0	STOP	IDLE	30H		
TCON	88H	TF1	TR1	TF0	TR0	IE1	IT1	IE0	IT0			
TMOD	89H	GATE	C/T	M1	M0	GATE	C/T	M1	M0			
TL0	8AH											
TL1	8BH											
TH0	8CH											
TH1	8DH											
CKCON	8EH	-	-	T2M	T1M	T0M	MD2	MD1	MD0	1H	Note 27 Note 29	
SGPIO K	90H									00H	Note 30 Note 31	
EXIF	91H	IE5	IE4	IE3	IE2	1	0	0	0	8H	Note 27	
MPAGE	92H									00H	Note 27 Note 28	
SCON	98H	SM0_0	SM1_0	SM2_0	REN_0	TB8_0	RB8_0	TI_0	RI_0		Note 31	
SBUF	99H											
IE	A8H	EA	ES1	ET2	ES0	ET1	EX1	ET0	EX0		Note 31	
IP	B8H	1	PS1	PT2	PS0	PT1	PX1	PT0	PX0		Note 31	
T2CON	C8H	TF2	EXF2	RCLK	TCLK	EXEN2	TR2	C/T2	CP/RL2		Note 31	
RCAP2L	CAH											
RCAP2H	CBH											
TL2	CCH											

SFR REGISTER NAME	ADDR	FIX BIT REGISTERS								VCC1 POR	NOTE	REF. PAGE	
		D7	D6	D5	D4	D3	D2	D1	D0				
TH2	CDH												
PSW	D0H	CY	AC	F0	RS1	RS0	OV	F1	P			Note 31	
EICON	D8H	SMOD1	1	EPFI	PFI	WDTI	0	0	0	40H		Note 27 Note 31	
ACC	E0H											Note 31	
EIE	E8H	1	1	1	EWDI	EX5	EX4	EX3	EX2	E0H		Note 27 Note 31	
B	F0H											Note 31	
EIP	F8H	1	1	1	PWDI	PX5	PX4	PX3	PX2	E0H		Note 27 Note 31	

Note 27: Not part of standard 8051 architecture.

Note 28: The MPAGE special function register provides a means of 16-bit addressing without using the data pointer. During MOVX A, @Ri and MOVX @Ri, A instructions, the 8051 places the contents of the MPAGE register on the upper 8 address bits. The MPAGE register default is '00H'.

Note 29: The TM2 bit in the CKCON register is available, but not used, when Timer 2 is not implemented (timer =0).

Note 30: Not part of standard 8051 architecture. Supports SGPIO30 – SGPIO37 and SGPIO40 – SGPIO47 (see section 24.5, Bit-wise Addressable 8051 SFR GPIOs on page 259)

Note 31 *=Bit-addressable register

11.8.2 MEMORY MAPPED CONTROL REGISTER (MMCR)

The Memory Mapped Control Registers are on-chip memory-mapped registers that can be accessed by the 8051 but are external to the 8051 core (Table 101). The 8051 can access all of the Memory Mapped Control Registers. The 8051 MMCR addresses are described in Column #4 (8051 ADDR) in Table 101.

Some MMCRs can also be accessed through the LPC Host interface (LPCxxh), the Mailbox Registers interface (MBXxxh), the Embedded Controller Interface (ECI BASE), and the ACPI PM1 Block Interface (PM1). These addresses are described in Column #2 (SYSTEM ADDRESS) in Table 101.

These Memory Mapped Control Registers can be accessed by the following types of 8051 instructions:

movx A,@DPTR

movx @DPTR,A

mov MPAGE,#7FH

movx A,@Rx (R0 or R1 only)

mov MPAGE,#7FH

movx @Rx,A (R0 or R1 only)

Table 101 - 8051 On-Chip External Memory Mapped Registers

MMCR REGISTER NAME	SYSTEM ADDRESS	SYSTEM ADDRESS TYPE	8051 ADDRESS (7F00+)	8051 TYPE	POWER PLANE	VCC1 POR	VCC2 POR	REF. SECTION	NOTES
Reserved	-	-	F0h	W	VCC1	-			Note 37
Host I/F Data Reg [KBD Data/Command Write Reg.]	LPC 60h LPC 64h	W	F1h	R	VCC1	-			Note 32 Note 37
Host I/F Data Reg [KBD Data Read Reg.]	LPC 60h	R	F1h	W	VCC1	-			Note 37
Host I/F Status Reg [KBD Status Reg.]	LPC 64h	R	F2h	R/W	VCC1	00h			Note 33 Note 37
RTC Address 1	LPC 70h	R/W	-	-	VCC1	00h			Note 41
RTC Data 1	LPC 71h	R/W	-	-	VCC1	-			Note 41
RTC Address 2	LPC 74h	R/W	-	-	VCC1	00h			Note 41
RTC Data 2	LPC 76h	R/W	-	-	VCC1	-			Note 41
HTIMER	-	-	F3h	R/W	VCC1	00h			
Config Reg 0	-	-	F4h	R/W	VCC1	00h			
RTCCNTRL	-	-	F5h	R/W	VCC1	80h			
RTCADDRL	-	-	F6h	R/W	VCC1	00h			
RTCDATAL	-	-	F7h	R/W	VCC1	00			
RTCADDRH	-	-	F8h	R/W	VCC1	00h			
RTCDATAH	-	-	F9h	R/W	VCC1	00h			
Aux Host Data Reg [KBD Data Read Reg.]	LPC 60h	R	FAh	W	VCC1	-			Note 34 Note 37
GATEA20	-	-	FBh	R/W	VCC1	01h			
-	-	-	FCh	-	-	-	-		
PCOBF	-	-	FDh	R/W	VCC1	00h			
SETGA20L	-	-	FEh	W	VCC1	-			
RSTGA20L	-	-	FFh	W	VCC1	-			
Interrupt 0 source register	-	-	00h	R/WC	VCC1	00h			
Interrupt 0 mask register	-	-	01h	R/W	VCC1	00h			
Interrupt 1 source register	-	-	02h	R/WC	VCC1	00h			
Interrupt 1 mask register	-	-	03h	R/W	VCC1	00h			
Keyboard Scan out	-	-	04h	W	VCC1	20h			
Keyboard Scan in	-	-	04h	R	VCC1	-			
-	-	-	05h	-	-	-	-		
Device Rev register	-	-	06h	R	VCC1	01h			
Device ID register	-	-	07h	R	VCC1	0Eh			
System-to-8051 Mailbox register 0	MBX 82h	R/W	08h	RC	VCC1	00			Note 35
8051-to-system Mailbox register 1	MBX 83h	RC	09h	R/W	VCC1	00			Note 36
Mailbox register [2-F]	MBX 84h-91h	R/W	0A-17h	R/W	VCC1	00h			
GPIO Direction register A	-	-	18h	R/W	VCC1	00h			
GPIO Output register A	-	-	19h	R/W	VCC1	00h			
GPIO Input register A	-	-	1Ah	R	VCC1	-			
GPIO Direction register B	-	-	1Bh	R/W	VCC1	02h			
GPIO Output register B	-	-	1Ch	R/W	VCC1	00h			
GPIO Input register B	-	-	1Dh	R	VCC1	-			
GPIO Direction register C	-	-	1Eh	R/W	VCC1	00h			
GPIO Output register C	-	-	1Fh	R/W	VCC1	00h			
GPIO Input register C	-	-	20h	R	VCC1	-			
LED register	-	-	21h	R/W	VCC1	00h			
OUT register D	-	-	22h	R/W	VCC1	00h			
OUT register E	-	-	23h	R/W	VCC1	00h			
IN register F	-	-	24h	R	VCC1	-			
PWM0 register	MBX92h	R/W	25h	R/W	VCC1	00h			

MMCR REGISTER NAME	SYSTEM ADDRESS	SYSTEM ADDRESS TYPE	8051 ADDRESS (7F00+)	8051 TYPE	POWER PLANE	VCC1 POR	VCC2 POR	REF. SECTION	NOTES
PWM1 register	MBX93h	R/W	26h	R/W	VCC1	00h			
KSTP_CLK	-	-	27h	R/W	VCC1	10h			
Fan Control Register	MBX9Dh	R/W	28h	R/W	VCC1	30h			
PWM2 register	MBX95h	R/W	29h	R/W	VCC1	00h			
WAKEUP Source 1	-	-	2Ah	R/WC	VCC1	00h			
WAKEUP Source 2	-	-	2Bh	R/WC	VCC1	00h			
WAKEUP mask 1	-	-	2Ch	R/W	VCC1	00h			
WAKEUP mask 2	-	-	2Dh	R/W	VCC1	00h			
-	-	-	2Eh	-	-	-	-		
RESERVED	-	-	2Fh	R/W	VCC1	00h	-		
Multiplexing 3 register	-	-	30h	R/W	VCC1	00h			
ACCESS.Bus Control reg	-	-	31h	W	VCC1	00h			
ACCESS.Bus Status reg	-	-	31h	R	VCC1	81h			
ACCESS.Bus Own Address reg	-	-	32h	R/W	VCC1	00h			
ACCESS.Bus Data reg	-	-	33h	R/W	VCC1	00h			
ACCESS.Bus Clock	-	-	34h	R/W	VCC1	00h			
Flash Program	MBX9Eh	R/W	35h	R/W	VCC1	See Notes	-		
-	-	-	36h	-	-	-	-		
WDT Control/Status	-	-	37h	R/W	VCC1	00h			
WDT Timer	-	-	38h	R/W	VCC1	FFh			
-	-	-	39h	-	-	-	-		
PP Status Reg	-	-	3Ah	R/W	VCC2		00h		Note 38
PP Control Reg	-	-	3Bh	R/W	VCC2		00h		
PP Data Reg	-	-	3Ch	R/W	VCC2		00h		
Multiplexing 1 register	-	-	3Dh	R/W	VCC1	00h			
Output Enable register	-	-	3Eh	R/W	VCC1	see note	see note		Note 39
DISABLE register	-	-	3Fh	R/W	VCC1	00h			
Multiplexing 2 register	-	-	40h	R/W	VCC1	00h			
PS/2 Port1 Control/ PS/2 Chan A Tx/Rx	-	-	41h	R/W	VCC2	-	00h		Note 37
PS/2 Port1 Status/ PS/2 Chan A Control	-	-	42h	R R/W	VCC2	-	40h		Note 37
PS/2 Port1 Error/ PS/2 Chan A Status	-	-	43h	R	VCC2	-	00h		Note 37
PS/2 Port1 Transmit	-	-	44h	W	VCC2	-	00h		
PS/2 Port1 Receive/ PS/2 Chan B Tx/Rx	-	-	45h	R R/W	VCC2	-	00h		Note 37
PS/2 Chan B Control	-	-	46h	R/W	VCC2	-	40h		
PS/2 Chan B Status	-	-	47h	R	VCC2	-	00h		
PS/2_STATUS_2	-	-	48h	R	VCC2	-	00h		
PS/2 Port2 Control/ PS/2 Chan C Tx/Rx	-	-	49h	R/W	VCC2	-	00h		Note 37
PS/2 Port2 Status/ PS/2 Chan C Control	-	-	4Ah	R R/W	VCC2	-	40h		Note 37
PS/2 Port2 Error/ PS/2 Chan C Status	-	-	4Bh	R	VCC2	-	00h		Note 37
PS/2 Port2 Transmit	-	-	4Ch	W	VCC2	-	00h		
PS/2 Port2 Receive/ PS/2 Chan D Tx/Rx	-	-	4Dh	R R/W	VCC2	-	00h		Note 37
PS/2 Chan D Control	-	-	4Eh	R/W	VCC2	-	40h		
PS/2 Chan D Status	-	-	4Fh	R	VCC2	-	00h		
-	-	-	50h-51h	-	-	-	-		
8051_SIRQ	-	-	52h	R/W	VCC1	00h	-		

MMCR REGISTER NAME	SYSTEM ADDRESS	SYSTEM ADDRESS TYPE	8051 ADDRESS (7F00+)	8051 TYPE	POWER PLANE	VCC1 POR	VCC2 POR	REF. SECTION	NOTES
EC_DATA	ECI BASE	R/W	53h	R/W	VCC1	00h			Note 40
EC_COMMAND	ECI BASE+4	W	53h	R/W	VCC1	00h			Note 40
EC_STATUS	ECI BASE+4	R	54h	R/W	VCC1	00h			Note 40
Wake up SRC 8	-	-	55h	R/WC	VCC1	00h	-		
Wake up MSK 8	-	-	56h	R/W	VCC1	00h	-		
Edge Select 4A			57h	R/W	VCC1	00h			
Edge Select 4B			58h	R/W	VCC1	00h			
Wake up SRC 4			59h	R/WC	VCC1	00h			
Wake Up Mask 4			5Ah	R/W	VCC1	00h			
-	-	-	5Bh	-	-	-	-		
Edge Select 5A			5Ch	R/W	VCC1	00h			
Edge Select 5B			5Dh	R/W	VCC1	00h			
Wake up SRC 5			5Eh	R/WC	VCC1	00h			
Wake Up Mask 5			5Fh	R/W	VCC1	00h			
-	-	-	60h	-	-	-	-		
Edge Select 6A			61h	R/W	VCC1	00h			
Edge Select 6B			62h	R/W	VCC1	00h			
Wake up SRC 6			63h	R/WC	VCC1	00h			
Wake up SRC 7	-	-	64h	R/WC	VCC1	00h			
Wake up MSK 7	-	-	65h	R/W	VCC1	00h			
Wake Up Mask 6			66h	R/W	VCC1	00h			
ACCESS.Bus 2 Control reg	-	-	67h	W	VCC1	00h			
ACCESS.Bus 2 Status reg	-	-	67h	R	VCC1	81h			
ACCESS.Bus 2 Own Address reg	-	-	68h	R/W	VCC1	00h			
ACCESS.Bus 2 Data reg	-	-	69h	R/W	VCC1	00h			
ACCESS.Bus 2 Clock	-	-	6Ah	R/W	VCC1	00h			
-	-	-	6Bh – 6Fh	-	-	-	-		
Mailbox registers[10-1F]	MBX A0-AF	R/W	70h-7Fh	R/W	VCC1	00			8
PM1_STS2	PM1+1	R/WC	80h	R/W	VCC1	00			8
PM1_EN2	PM1+3	R/W	81h	R	VCC1	00			8
PM1_CNTRL2	PM1+5	R/W	82h	R	VCC1	00			8
8051_PM_STS	-	-	83h	R/W	VCC1	00	-		
PWRGD_INT	-	-	84h	R/WC	VCC1	00	-		
GPTM	-	-	85h	R/W	VCC1	00	-		
DMS Register	-	-	86h	R/W	VCC1	00	-		
-	-	-	87h	-	-	-	-		
Flash Boot Block Protect	-	-	88h	R/W	VCC1	00	-		
ACCESS.Bus Switch Register	-	-	89h	R/W	VCC1	03	-		
LPC Bus Monitor	-	-	8Ah	R	VCC1	00	-		
-	-	-	8Bh-8Dh	-	-	-	-		
Test Register	-	-	8Eh-8Fh	-	-	-	-		
-	-	-	90h-9Ah	-	-	-	-		
FAN1 Read Latch	-	-	9Bh	R	VCC1	00h	-		
FAN2 Read Latch	-	-	9Ch	R	VCC1	00h	-		
FAN1 Pulse Counter Preload	-	-	9Dh	R/W	VCC1	00h	-		
FAN2 Pulse Counter Preload	-	-	9Eh	R/W	VCC1	00h	-		
FAN TACH Timebase Prescaler			9Fh	R/W	VCC1	05h	-		
LGPIO Dir. Reg. G	-	-	A0h	R/W	VCC1	00h	-		
LGPIO In Reg. G	-	-	A1h	R	VCC1	00h	-		
LGPIO Out Reg. G	-	-	A2h	R/W	VCC1	00h	-		
LGPIO Dir. Reg. H	-	-	A3h	R/W	VCC1	00h	-		

MMCR REGISTER NAME	SYSTEM ADDRESS	SYSTEM ADDRESS TYPE	8051 ADDRESS (7F00+)	8051 TYPE	POWER PLANE	VCC1 POR	VCC2 POR	REF. SECTION	NOTES
LGPIO In Reg. H	-	-	A4h	R	VCC1	00h	-		
LGPIO Out Reg. H	-	-	A5h	R/W	VCC1	00h	-		
LGPIO Dir. Reg. I	-	-	A6h	R/W	VCC1	00h	-		
LGPIO In Reg. I	-	-	A7h	R	VCC1	00h	-		
LGPIO Out Reg. I	-	-	A8h	R/W	VCC1	00h	-		
LGPIO LPC Select	-	-	A9h	R/W	VCC1	00h	-		
LGPIO Buffer Type H	-	-	AAh	R/W	VCC1	00h	-		
LGPIO Buffer Type I	-	-	ABh	R/W	VCC1	00h	-		
GPIO Buffer Type	-	-	ACh	R/W	VCC1	00h	-		
SGPIO Dir. Reg. J	-	-	ADh	R/W	VCC1	00h	-		
SGPIO Dir. Reg. K	-	-	AEnh	R/W	VCC1	00h	-		
-	-	-	AFh	-	-	-	-		-
Flash High Address	MBX9Fh	R/W	B0h	R/W	VCC1	00h	-		
Flash Low Address	MBX80h	R/W	B1h	R/W	VCC1	00h	-		
Flash Data	MBX81h	R/W	B2h	R/W	VCC1	00h	-		
-	-	-	B3h-EFh	-	-	-	-		-
256 bytes of RAM	-	-	7E00-7EFFh	R/W	VCC1				

Note 32: Although the Input and Output Data registers are physically separate, they share address 7FF1.

Note 33: The 8051 CPU cannot write to some bits of the Status register.

Note 34: Writing to the Auxiliary Output Data Register, loads the Output data register and can set the AUXOBF1 output if enabled. This does not set the PCOBF output.

Note 35: Interrupt is cleared when read by the 8051.

Note 36: Interrupt is cleared when read by the host.

Note 37: These addresses are shared between the PS/2 Devil Logic and the SMSC PS/2 Hardware Channels A – D

Note 38: Bit 0 is the only writable or resettable bit in this register.

Note 39: VCC1 POR = 00000X10b, VCC2 POR = 00000X1Xb where X is not affected by VCC2 POR, but is left at the current value.

Note 40: These registers have the same structure as the keyboard interface registers.

Note 41: The LPC RTC registers are relocatable and accessed by the 8051 through MMCRs 0x7FF5 – 0x7FF9.

11.8.3 8051 CONFIGURATION/CONTROL MEMORY MAPPED REGISTERS

11.8.3.1 Disable Register

Table 102 - Disable Register

HOST ADDRESS	N/A
8051 ADDRESS	0x7F3F
POWER	VCC1
DEFAULT	0x00

	D7	D6	D5	D4	D3	D2	D1	D0
HOST TYPE	-	-	-	-	-	-	-	-
8051 TYPE	R/W	R/W	R/W	R/W	R/W	R/W	R/W	R/W
BIT NAME	PARALLEL PORT	SERIAL PORT	IR PORT	FLOPPY PORT	UD	SYSTEM FLASH	RESERVED	FORCE FDC WRTprt

PARALLEL PORT - When this bit is asserted '1' the parallel port is enabled. When this bit is deasserted '0' the parallel port is disabled.

SERIAL PORT - When this bit is asserted '1' the Serial port is enabled. When this bit is deasserted '0' the Serial port is disabled.

IR PORT - When this bit is asserted '1' the IR port is enabled. When this bit is deasserted '0' the IR port is disabled.

FLOPPY PORT - When this bit is asserted '1' the Floppy Port is enabled. When this bit is deasserted '0' the Floppy Port is disabled.

UD - The UD bit is User-Defined. UD bits are maintained by 8051 software, only.

SYSTEM FLASH - When the SYSTEM FLASH bit is asserted '1', the LPC Host Flash programming interface is disabled. When the SYSTEM FLASH bit is deasserted '0', the LPC Host Flash programming interface is enabled (see section 13.5, LPC Bus Flash Program Access, on page 172.)

RESERVED - Logic '0' read only access.

11.8.3.2 Device Rev Register

By reading this register, 8051 firmware can confirm the device revision that it is running on.

Table 103 - Device Rev Register

Host	N/A							
8051	0x7F06							
Power	VCC1							
Default	0x01							
	D7	D6	D5	D4	D3	D2	D1	D0
HOST TYPE	-	-	-	-	-	-	-	-
8051 TYPE	R	R	R	R	R	R	R	R
Bit description	Current Revision							1

This register is hardwired. The current revision level is 1.

11.8.3.3 Device ID Register

By reading this register, 8051 firmware can determine which device it is running on.

Table 104 - Device ID Register

Host	N/A							
8051	0x7F07							
Power	VCC1							
Default	0x0E							
	D7	D6	D5	D4	D3	D2	D1	D0
HOST TYPE	-	-	-	-	-	-	-	-
8051 TYPE	R	R	R	R	R	R	R	R
BIT DESCRIPTION	0	0	0	0	1	1	1	0

11.8.3.4 Configuration Register

Table 105 - Configuration Register 0

Host	N/A							
8051	0x7FF4							
Power	VCC1							
Default	0x00							
	D7	D6	D5	D4	D3	D2	D1	D0
HOST TYPE	-	-	-	-	-	-	-	-
8051 TYPE	R/W	R/W	R/W	R/W	R/W	R/W	R/W	R/W
BIT DESCRIPTION	AUXH	0	OBFEN	PS2_SEL	MMC	PCOBFEN	SAEN	SLEEPFLAG

AUXH - Aux in Hardware; when high, AUXOBF of the status register is set in hardware by a write to 7FFAh. When low, AUXOBF of the status register is a user defined bit (UD) and R/W.

OBFEN - When set PCOBF is gated onto KIRQ and AUXOBF1 is gated onto MIRQ. When low, KIRQ and MIRQ are driven low. Software should not change this bit when OBF of the status register is equal to 1.

MMC - Memory Map Control Bit : When MMC=0, a 256 Byte Scratch RAM area at 7D00h is available to the 8051. When MMC=1 the Scratch RAM at 7D00h-7DFFh becomes scratch ROM at 00h--FFh. When the MMC bit is '1', the Internal Scratch RAM becomes Internal Scratch ROM and occupies 256 bytes at the top of the 64k code space; i.e., FF00h – FFFFh (see section 13.2, Flash Program Interface Decoder 13.2. When the MMC bit is deasserted '0', there is 256 bytes of Internal Scratch RAM located at address 0x7D00 in the 8051 Data Space. When the MMC bit is asserted '1', the 8051 can execute out of the Internal Scratch ROM either when the 8051 Code Fetch Access interface or when the 8051 Program Access interface is selected.

Note: When the 8051 is running from external flash, i.e. when the nEA pin = '0', the MMC bit must be '0'.

PCOBFEN - When high, PCOBF reflects whatever value was written to the PCOBF firmware latch assigned to 7FFDH. When low, PCOBF reflects the status of writes to 7FF1H (the output data register).

PS2_SEL

If PS2_SEL=0 (default) then the PS2 Device Interface Logic (DEVIL) is enabled and if PS2_SEL=1 then the SMSC PS2 Interface (SPS2) is enabled. The following table illustrates this:

PS2_SEL	INTERNAL ACTIVE PS/2 LOGIC BLOCK
0	PS2 Device Interface Logic (DEVIL)
1	SMSC PS2 Interface Logic (SPS2)

SAEN

Software-assist enable. When set to “1” SAEN allows control of the GATEA20 signal via firmware. If SAEN is reset to ‘0’, GATEA20 corresponds to either the last host-initiated control of GATEA20 or the firmware write to 7FFEh or 7FFFh.

SLEEPFLAG

If SLEEPFLAG=“0” when PCON bit-0 is set, the 8051 enters “IDLE” mode, whereas if SLEEPFLAG=“1” when PCON bit 0 is set the 8051 enters “SLEEP” mode. This bit is cleared by the occurrence of any wake-up events and on VCC1 POR.

11.8.3.5 Output Enable Register

Table 106 Output Enable Register

Host	N/A
8051	0x7F3E
Power	VCC1
Default	00000X10b on VCC1 POR 00000X1Xb on VCC2 POR

Output Enable Register VCC1 POR = 0x00000X10, VCC2 POR = 00000X1**X**b where **X** means the bit holds its setting preceding VCC2 POR.

	D7 - D4	D3	D2	D1	D0
HOST TYPE	-	-	-	-	-
8051 TYPE	R	R/W	R	R/W	R/W
BIT DESCRIPTION	Reserved	iRESET_ OVRD	POWER_ GOOD	iRESET_OUT	32kHz Output

iRESET_OUT - When POWER_GOOD = 1, iRESET_OUT is controlled by the 8051. When POWER_GOOD = 0, iRESET_OUT is forced high (within 100nsec) and latched. The nRESET_OUT pin is not driven until VCC2 is applied. iRESET_OUT cannot be cleared by the 8051 until POWER_GOOD =1.

See **Note 42**.

In the LPC47N252, nRESET_OUT is driven high by this sequence of events.

Sets STP_CNT to a non-zero value

Clears iRESET_OUT bit, causing 8051STP_CLK bit 0 (see **Table 209** page 15) to get set and STOP Counter to start decrementing

When STP_CNT reaches 0 the nRESET_OUT pin deasserts (goes high) at which point the 8051’s clock stops.

POWER_GOOD - The Power_Good bit D2 reflects the state of the LPC47N252 Vcc2 Power Good pin PWRGD. The Power_Good bit is read only.

iRESET_OVRD - iRESET Override - when cleared the iRESET_OUT bit functions as described above. When set, iRESET_OUT is given direct control over the internal reset and nRESET_OUT pins without requiring the STOP_CLK counter or affecting the 8051STP_CLK bit. In the override mode, setting iRESET_OUT drives nRESET_OUT low and clearing iRESET_OUT drives nRESET_OUT high.

The RESET_OUT Override function allows the 8051 to take the rest of the LPC47N252 chip (SIO) out of reset without giving up control (i.e., without stopping its clock).

Note: When the iRESET_OVRD bit is asserted the 8051 clock cannot be stopped.

Note 42: In the LPC47N252 iRESET Override mode is the typical mode of operation. When the iRESET_OVRD bit is asserted the 8051 clock cannot be stopped. Providing the mode to stop the 8051 clock is a legacy mode. To stop the 8051 clock the iRESET_OVRD bit must be deasserted.

32 KHZ OUTPUT - The 32 kHz Output bit controls the LPC47N252 32 kHz_OUT. When 32kHz Output is ‘0’ the 32kHz Output Clock is disabled and the 32 kHz_OUT pin is driven low. When 32 kHz Output is ‘1’ the 32 kHz Output Clock is enabled. The 32kHz Output bit is R/W and disabled by default following Vcc1 POR.

11.8.3.6 8051 LPC Bus Monitor

The 8051 can monitor the state of the LPCPD# input pin using the LPCPD STATUS bit D0 in the LPC Bus Monitor register (Table 107). The LPCPD STATUS bit is the inverse of the LPCPD# pin (see section 4.1.14 LPC Power Management for a description of the LPCPD# pin function).

When the LPCPD STATUS bit is '0', the LPCPD# input pin is deasserted '1'. When the LPCPD STATUS bit is '1', the LPCPD# input pin is asserted '0'.

Table 107 - LPC Bus Monitor Register

HOST ADDRESS	n/a
8051 ADDRESS	0x7F8A
POWER	VCC1
DEFAULT	'0000000X'b

	D7	D6	D5	D4	D3	D2	D1	D0
HOST TYPE	-	-	-	-	-	-	-	-
8051 TYPE	R	R	R	R	R	R	R	R
BIT NAME	Reserved							LPCPD Status

Note: There is no LPCPD STATUS bit default.

11.8.4 LED CONTROLS

The LPC47N252 has three independent LED outputs that are programmable under 8051 control.

LED Register

Host	N/A
8051	0x7F21
Power	VCC1
Default	0x00

	D7	D6	D5	D4	D3	D2	D1	D0
Default	0	0	0	N/A	0	0	0	0
8051 access	R/W	R/W	R/W	R	R/W	R/W	R/W	R/W
Bit def	FDD Led Enable	FDD_LED1	FDD_LED0	status of pin MODE	PWR_LED1	PWR_LED0	BAT_LED1	BAT_LED0
	Note 1	00 FDD LED is off 01 LED flash; P=1.0 sec 10 LED flash; P=0.5 sec 11 LED is fully on			00 PWR LED is off 01 LED flash; P=3.0 sec 10 LED flash; P=1.5 sec 11 LED is fully on		00 Battery LED is off 01 LED flash; P=1.0 sec 10 LED flash; P=0.5 sec 11 LED is fully on	

Note 1: D7 =1; FDD_LED Pin is controlled by D6, D5

D7=0; FDD_LED is controlled by the Motor Enable 0 pin from the FDC. When Motor Enable 0 pin is asserted the LED is on.

LED on time is T=125msec; "0" is on, "1" is off. Period "P" is indicated above.

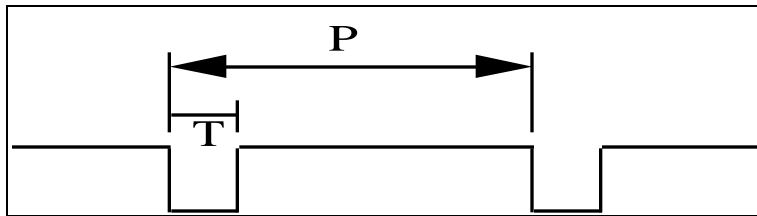


FIGURE 13 - LED OUTPUT

11.9 8051 INTERRUPTS

The eleven 8051 core interrupts are shown described in Table 108 – 8051 Interrupts.

The 8051 has the following run time sources: int0, int1, int2, int3 and int4. The Interrupt sources of Int5_n create 8051 Wakeup Events which are used to monitor and altar the power management state. There are three type of source triggers for wakeup event: Nonprogrammable (fixed edge), Selectable Edge (SE), Either Edge (EE).

The 8051 core has three interrupt priority levels: PFI, high and low. The PFI interrupt, if enabled, has priority over all other interrupts.

11.9.1 8051 INTERNAL PARALLEL INTERRUPTS

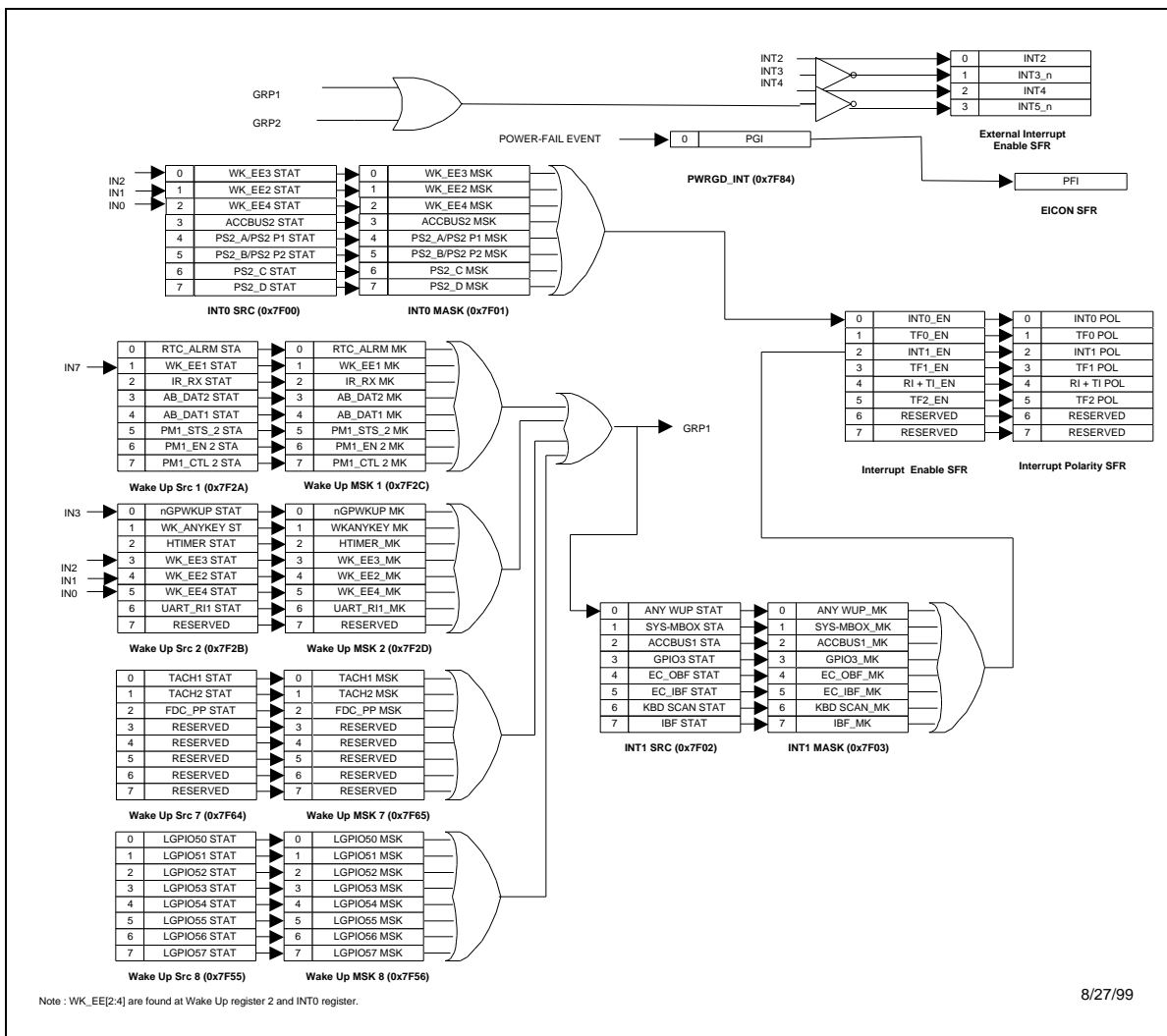


FIGURE 14 - 8051 INTERRUPTS

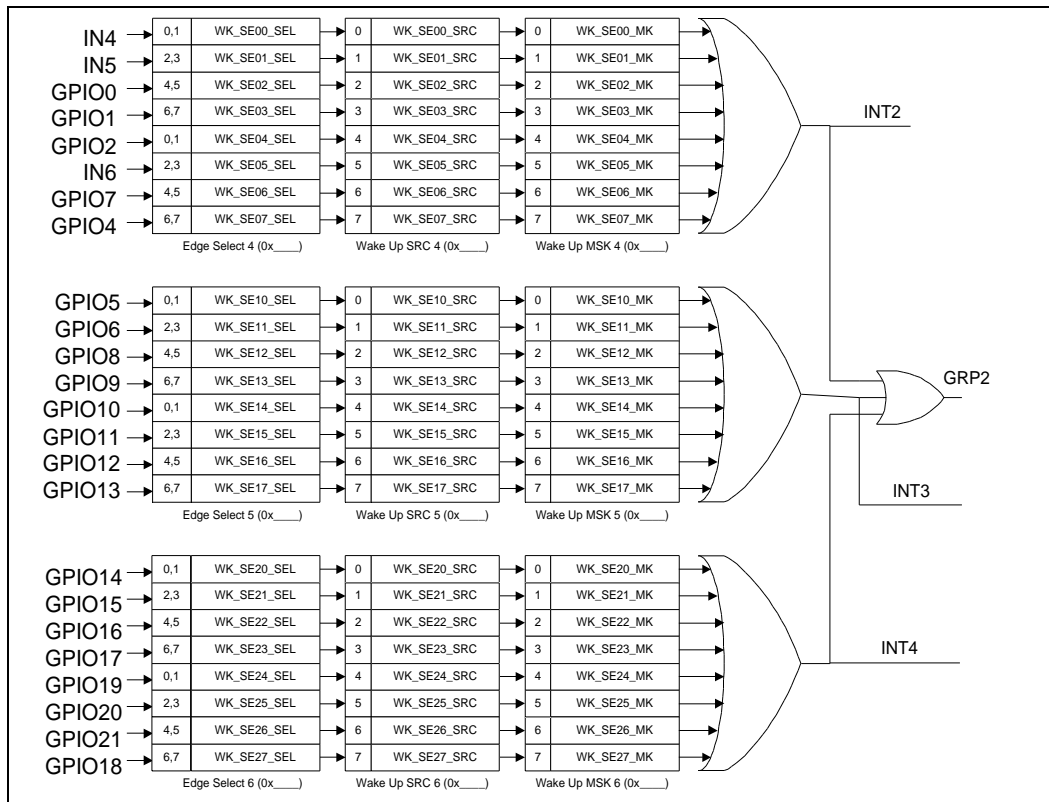


FIGURE 15 – EXTENDED INTERRUPTS & WAKE EVENTS

Note: Wake events apply per pin and are available to all functions of that pin. For example, if the IRRX function is selected as an alternate function of the GPIO8 pin (MISC7 = 1), the WK_SE12 event can be used for IR wake-up. See Section 15.3, Wake-up Events on page 191.

Table 108 – 8051 Interrupts

INTERRUPT	DESCRIPTION	NATURAL PRIORITY	FLAG	ENABLE	PRIORITY CONTROL	INTERRUPT VECTOR
pfi	Power Fail Interrupt	0	EICON.4	EICON.5	n/a	0x33
int0_n	External Interrupt 0	1	TCON.1	IE.0	IP.0	0x03
TF0	Timer 0 Interrupt	2	TCON.5	IE.1	IP.1	0x0B
int1_n	External Interrupt 1	3	TCON.3	IE.2	IP.2	0x13
TF1	Timer 1 Interrupt	4	TCON.7	IE.3	IP.3	0x1B
Tl_0 or RI_0	Serial Port 0 Transmit or Receive	5	SCON0.0 (RI_0), SCON0.1 (RI_0)	IE.4	IP.4	0x23
TF2 or EXF2	Timer 2 Interrupt	6	T2CON.7 (TF2), T2CON.6 (EXF2)	IE.5	IP.5	0x2B
	RESERVED	7	RESERVED	IE.6	IP.6	0x3B
int2	External Interrupt 2	8	EXIF.4	EIE.0	EIP.0	0x43
int3_n (1)	External Interrupt 3	9	EXIF.5	EIE.1	EIP.1	0x4B
int4	External Interrupt 4	10	EXIF.6	EIE.2	EIP.2	0x53
int5_n	External Interrupt 5	11	EXIF.7	EIE.3	EIP.3	0x5B
	RESERVED	12	EICON.3	EIE.4	EIP.4	0x63

Note: The int5_n interrupt is used to restart the 8051 from sleep mode. This interrupt includes the interrupt WAKE UP sources from GRP1 and Grp2 on **FIGURE 14** and **FIGURE 15**.

11.9.2 8051 INT0 SOURCE REGISTER

The eight interrupts in the INT0 Source register (**Table 109**) are logically 'OR'ed to drive the 8051 int0_n interrupt (**FIGURE 14**). When any bit in the INT0 Source register is '1', an interrupt has occurred and, assuming the interrupt is enabled, the 8051 int0_n input is asserted.

The bits in the INT0 Source register are cleared by a writing a "1" to the bit.

Table 109 - 8051 Int0 Source Register

HOST ADDRESS	N/A
8051 ADDRESS	0x7F00
POWER	VCC1
DEFAULT	0x00

	D7	D6	D5	D4	D3	D2	D1	D0
HOST TYPE	-	-	-	-	-	-	-	-
8051 TYPE	R/WC	R/WC	R/WC	R/WC	R/WC	R/WC	R/WC	R/WC
BIT NAME	PS2_D	PS2_C	PS2_B/ PS2 P2	PS2_A/ PS2 P1	ACCESS BUS 2	WK_EE4	WK_EE2	WK_EE3

SMSC PS/2 C & D Interrupts – D[7:6]

INT0 Source register bit D7 is the SMSC PS/2 Channel D interrupt; INT0 Source register bit D6 is the SMSC PS/2 Channel C interrupt. These interrupts are active when the PS2_SEL Control bit D4 in Configuration Register 0 (0x7FF4) is '1.' The Configuration Register 0 register is described in the section see 11.8.3.4.

When the SMSC PS/2 channels are active the PS2_D interrupt is associated with the PS2CLK and PS2DAT alternate functions of the GPIO20 and GPIO21 pins; PS2_C is associated with the IMCLK and IMDATA pins.

Dual-Mode SMSC/DEVIL Interrupts – D[5:4]

INT0 Source register bits D5 and D4 are multiplexed between the SMSC PS/2 Channels A and B and the Devil Logic Ports P1 and P2.

When the PS2_SEL Control bit D4 in Configuration Register 0 (0x7FF4) is '1,' the SMSC PS/2 Interrupt Channels A and B are selected; when PS2_SEL = '0,' the Devil Logic Ports P1 and P2 are selected.

When the SMSC PS/2 channels are active the PS2_B interrupt is associated with the KCLK and KDAT pins; PS2_A is associated with the EMCLK and EMDATA pins.

Access Bus 2 Interrupt – D3

"1" Indicates an ACCESS.Bus 2 interrupt is active.

WK_EE[4:2] – D2, D0, D1

ACCESS Bus 2 wake events can be generated. AB_DAT ACCESS BUS 2 bit in Wake Sources Register 1. 8051 INT0 Mask Register The eight interrupts in the INT0 Source register (Table 109) are enabled by bits of the same name in the INT0 Mask register (Table 110).

When any bit in the INT0 Mask register is '0', the interrupt is enabled. When any bit in the INT0 Mask register is '1,' the interrupt is masked. When masked interrupts are asserted, the interrupt will be visible in the interrupt source register but will not assert an interrupt to the 8051.

The bits in the INT0 Mask register are read/write. The INT0 interrupts are enabled by default.

11.9.3 8051 INTO MASK REGISTER

Table 110 - 8051 Int0 Mask Register

HOST ADDRESS	N/A
8051 ADDRESS	0x7F01
POWER	VCC1
DEFAULT	0x00

	D7	D6	D5	D4	D3	D2	D1	D0
HOST TYPE	-	-	-	-	-	-	-	-
8051 TYPE	R/W	R/W	R/W	R/W	R/W	R/W	R/W	R/W
BIT NAME	PS2_D	PS2_C	PS2_B/ PS2 P2	PS2_A/ PS2 P1	ACCESS BUS 2	WK_EE4	WK_EE2	WK_EE3

11.9.4 8051 INT1 SOURCE REGISTER

The eight interrupts in the INT1 Source register (**Table 111**) are logically 'OR'ed to drive the 8051 external interrupt 1 input, int1_n (**FIGURE 14**). When any bit in the INT1 Source register is '1', an interrupt has occurred and, assuming the interrupt is enabled, the 8051 int1_n input is asserted.

Bits D0 and D2 – D6 in the INT1 Source register are cleared by a writing a "1" to the bit.

Table 111 - 8051 INT1 Source Register

HOST ADDRESS	N/A
8051 ADDRESS	0x7F02
POWER	VCC1
DEFAULT	0x00

	D7	D6	D5	D4	D3	D2	D1	D0
HOST TYPE	-	-	-	-	-	-	-	-
8051 TYPE	R	R/WC	R/WC	R/WC	R/WC	R/WC	R	R/WC
BIT NAME	IBF ¹	KBD SCAN	EC_IBF ²	EC_OBF ³	GPIO3	ACCESS BUS 1	SYS- MBOX ⁴	ANY WUP

IBF [D7]

IBF interrupt bit D7 is set when the host writes to the KBD Data/Command Write register and is cleared when the 8051 reads from that register.

EC_IBF [D5]

EC_IBF interrupt bit D5 is set when the host writes to the EC Command or Data port (see **IBF Bit – D1** on page 77).

EC_OBF [D4]

EC_OBF interrupt bit D4 is asserted when the OBF bit in the EC Status register has been cleared (see

OBF Bit – D0 on page 76).

ACCESS BUS 1 [D2]

When ACCESS BUS 1 bit is equal to 1 an Access Bus IRQ is active.

SYS-MBOX [D1]

SYS-MBOX interrupt bit D1 is set when the host writes to mailbox register 0. The bit is cleared when mailbox register 0 is read (see **The SYSTEM/8051 Interface Registers** on page 225).

11.9.5 8051 INT1 MASK REGISTER

The eight interrupts in the INT1 Source register (**Table 111**) are enabled by bits of the same name in the INT1 Mask register (Table 112).

When any bit in the INT1 Mask register is '0', the interrupt is enabled. When any bit in the INT1 Mask register is '1', the interrupt is masked. When masked interrupts are asserted, the interrupt will be visible in the interrupt source register but will not assert an interrupt to the 8051.

The bits in the INT1 Mask register are read/write. The INT1 interrupts are enabled by default.

Table 112 - 8051 INT1 Mask Register

HOST ADDRESS	N/A
8051 ADDRESS	0x7F03
POWER	VCC1
DEFAULT	0x00

	D7	D6	D5	D4	D3	D2	D1	D0
HOST TYPE	-	-	-	-	-	-	-	-
8051 TYPE	R/W	R/W	R/W	R/W	R/W	R/W	R/W	R/W
BIT NAME	IBF	KBD SCAN	EC_IBF	EC_OBF	GPIO3	ACCESS BUS 1	SYS- MBOX	ANY WUP

11.9.6 8051 WAKEUP SOURCE REGISTERS

There are seven 8051 Wakeup Source Registers (see FIGURE 14 and FIGURE 15). Each Wakeup Source Register has eight Wakeup Source inputs which are logically 'OR'ed to drive the 8051 external interrupt 1 input (int1_n) and the WAKE interrupt (int5_n). When a Wakeup Source input is asserted '1' in a Wakeup Source Register, an interrupt has occurred and, assuming the interrupt is enabled, the 8051 int1_n and int5_n inputs are asserted. A read from a Wakeup Source Register indicates the status of the Wakeup Source inputs. Generally, the Wakeup Source bits in this register are cleared by a writing a "1" to the bit.

Table 113 - Wakeup Source Register 1

HOST ADDRESS	N/A
8051 ADDRESS	0x7F2A
POWER	VCC1
DEFAULT	0x00

	D7	D6	D5	D4	D3	D2	D1	D0
HOST TYPE	-	-	-	-	-	-	-	-
8051 R/W	R/WC	R/WC	R/WC	R/WC	R/WC	R/WC	R/WC	R/WC
BIT NAME	PM1 CTL 2	PM1 EN 2	PM1 STS 2	ACCESS. BUS 1	ACCESS. BUS 2	IRRX	WK_EE1 changed	RTC_ALRM asserted

Note: The interrupt source bits in this register are cleared by a writing a "1" to the bit. When asserted, a read from a bit in this register is a logic '1'.

PM1 CTL 2, PM1 EN 2, PM1 STS 2 [D7:D5]

When asserted '1', the corresponding PM1 register has been written (see 26.5 on page 271.)

ACCESS. BUS 1 [D4]

When asserted '1', a start condition or other event was detected on the ACCESS.BUS 1.

ACCESS. BUS 2 [D3]

When asserted '1', a start condition or other event was detected on the ACCESS.BUS 2.

IRRX [D2]

Wake event is asserted only when both V_{CC2} is active and IRRX input changes from high to low.

WK_EE1 changed [D1]

Input is going from low to high or from high to low (read the GPIO register to find out the value of pin)

RTC_ALARM asserted [D0]

The RTC_ALARM Wake-up is an internally generated Low-to-High edge, produced when the RTC time updates to match the Time Of Day (TOD) alarm setting. This edge will set bit D0 of Wake-up Source 1 Register. Bit D0 will remain set and will only be reset on a read of Wake-up Source 1 Register. If the Wake-up source register is read before the clock has updated (i.e., RTC still equals the TOD alarm) bit D0 is reset and stays reset until the next occurrence of a RTC_ALARM Wake-up event.

Table 114 - Wakeup Source Register 2

HOST ADDRESS	N/A
8051 ADDRESS	0x7F2B
POWER	VCC1
DEFAULT	0x00

	D7	D6	D5	D4	D3	D2	D1	D0
HOST TYPE	-	-	-	-	-	-	-	-
8051 R/W	R	R/WC	R/WC	R/WC	R/WC	R/WC	R/WC	R/WC
BIT NAME	Reserved	UART_ RI1 asserted	WK_EE4 transition	WK_EE2 transition	WK_EE3 transition	HTIMER timeouts	WK_ ANYKEY asserted	nGPWKUP asserted

Note: The interrupt source bits in this register are cleared by a writing a “1” to the bit. When an interrupt source is asserted, a read from the corresponding bit in this register is a logic ‘1’. Reserved bits are logic zero read only.

UART_RI1 asserted

Asserted ‘1’ by a UART ring indicator

WK_EE4 transition

Asserted when Input pin is going from low to high or from high to low (read the GPIO register to find out the value of pin)

WK_EE2 transition

Asserted when Input pin is going from low to high or from high to low (read the GPIO register to find out the value of pin)

WK_EE3 transition

Asserted when Input pin is going from low to high or from high to low (read the GPIO register to find out the value of pin)

HTIMER timeouts

Asserted when HTIMER=1, the hibernation timer counted down to zero.

WK_ANYKEY asserted

When unmasked, the WK_ANYKEY will wake the 8051 from the “SLEEP” state when any of the Keyboard Scan In (KSI) pins goes low. The Boolean equation below defines the WK_ANYKEY function.

$$WK_ANYKEY = !(KSI0 \& KSI1 \& KSI2 \& KSI3 \& KSI4 \& KSI5 \& KSI6 \& KSI7)$$

nGPWKUP asserted

Table 115 - Wakeup Source Register 4

HOST ADDRESS	N/A
8051 ADDRESS	0x7F59
POWER	VCC1
DEFAULT	0x00

	D7	D6	D5	D4	D3	D2	D1	D0
HOST TYPE	-	-	-	-	-	-	-	-
8051 R/W	R/WC	R/WC	R/WC	R/WC	R/WC	R/WC	R/WC	R/WC
BIT NAME	WK_SE07 asserted	WK_SE06 asserted	WK_SE05 asserted	WK_SE04 asserted	WK_SE03 asserted	WK_SE02 asserted	WK_SE01 asserted	WK_SE00 asserted

Note: The interrupt source bits in this register are cleared by a writing a “1” to the bit. When an interrupt source is asserted, a read from the corresponding bit in this register is a logic ‘1’.

Table 116 - Wakeup Source Register 5

HOST ADDRESS	N/A
8051 ADDRESS	0x7F5E
POWER	VCC1
DEFAULT	0x00

	D7	D6	D5	D4	D3	D2	D1	D0
HOST TYPE	-	-	-	-	-	-	-	-
8051 R/W	R/WC	R/WC	R/WC	R/WC	R/WC	R/WC	R/WC	R/WC
BIT NAME	WK_SE17 asserted	WK_SE16 asserted	WK_SE15 asserted	WK_SE14 asserted	WK_SE13 asserted	WK_SE12 asserted	WK_SE11 asserted	WK_SE10 asserted

Note: The interrupt source bits in this register are cleared by a writing a “1” to the bit. When an interrupt source is asserted, a read from the corresponding bit in this register is a logic ‘1’.

Table 117 - Wakeup Source Register 6

HOST ADDRESS	N/A
8051 ADDRESS	0x7F63
POWER	VCC1
DEFAULT	0x00

	D7	D6	D5	D4	D3	D2	D1	D0
HOST TYPE	-	-	-	-	-	-	-	-
8051 R/W	R/WC	R/WC	R/WC	R/WC	R/WC	R/WC	R/WC	R/WC
BIT NAME	WK_SE17 asserted	WK_SE16 asserted	WK_SE15 asserted	WK_SE14 asserted	WK_SE13 asserted	WK_SE12 asserted	WK_SE11 asserted	WK_SE10 asserted

Note: The interrupt source bits in this register are cleared by a writing a “1” to the bit. When an interrupt source is asserted, a read from the corresponding bit in this register is a logic ‘1’.

Table 118 - Wakeup Source Register 7

HOST ADDRESS	N/A
8051 ADDRESS	0x7F64
POWER	VCC1
DEFAULT	0x00

	D7	D6	D5	D4	D3	D2	D1	D0
HOST TYPE	-	-	-	-	-	-	-	-
8051 TYPE	R	R	R	R	R	R/WC	R/WC	R/WC
BIT NAME	RESERVED					FDC_PP (Either-Edge)	FAN TACH2	FAN TACH1

Note: The interrupt source bits in this register are cleared by a writing a “1” to the bit. When an interrupt source is asserted, a read from the corresponding bit in this register is a logic ‘1’. Reserved bits are logic zero read only.

Table 119 - Wakeup Source Register 8

HOST ADDRESS	N/A
8051 ADDRESS	0x7F55
POWER	VCC1
DEFAULT	0x00

	D7	D6	D5	D4	D3	D2	D1	D0
HOST TYPE	-	-	-	-	-	-	-	-
8051 TYPE	R/WC	R/WC	R/WC	R/WC	R/WC	R/WC	R/WC	R/WC
BIT NAME	LGPIO57	LGPIO56	LGPIO55	LGPIO54	LGPIO53	LGPIO52	LGPIO51	LGPIO50

Note: The interrupt source bits in this register are cleared by a writing a “1” to the bit. When an interrupt source is asserted, a read from the corresponding bit in this register is a logic ‘1’.

11.9.7 8051 WAKEUP MASK REGISTERS

There are seven 8051 Wakeup Mask Registers with Mask bits which correspond to the Wakeup Source Registers (**FIGURE 14** and **FIGURE 15**). When a bit in a Wakeup Mask Register is asserted ‘1’, the corresponding Wakeup Source interrupt is masked. When a bit in a Wakeup Mask Register is deasserted ‘0’, the corresponding Wakeup Source interrupt is enabled. When masked interrupts are asserted, the interrupt can be read in the Wakeup Source Register but will not assert an interrupt to the 8051. The Wakeup Mask Registers are read/write access. All Wakeup interrupts are enabled by default.

Table 120 - Wakeup Mask Register 1

HOST ADDRESS	N/A
8051 ADDRESS	0x7F2C
POWER	VCC1
DEFAULT	0x00

	D7	D6	D5	D4	D3	D2	D1	D0
HOST TYPE	-	-	-	-	-	-	-	-
8051 R/W	R/W	R/W	R/W	R/W	R/W	R/W	R/W	R/W
BIT NAME	PM1 CTL 2	PM1 EN 2	PM1 STS 2	ACCESS. BUS 1	ACCESS. BUS 2	IRRX	WK_EE1	RTC_ALRM

Note: When set ‘1’, a bit in this register masks the corresponding bit in Table 113 - Wakeup Source Register 1.

Table 121 - Wakeup Mask Register 2

HOST ADDRESS	N/A
8051 ADDRESS	0x7F2D
POWER	VCC1
DEFAULT	0x00

	D7	D6	D5	D4	D3	D2	D1	D0
HOST TYPE	-	-	-	-	-	-	-	-
8051 R/W	R	R/W	R/W	R/W	R/W	R/W	R/W	R/W
BIT NAME	Reserved	UART_R11	WK_EE4	WK_EE2	WK_EE3	HTIMER timeouts	WK_ANY KEY asserted	nGPWKUP asserted

Note: When set '1', a bit in this register masks the corresponding bit in Table 114 - Wakeup Source Register 2. Reserved bits are logic zero read only.

Table 122 - Wakeup Mask Register 4

HOST ADDRESS	N/A
8051 ADDRESS	0x7F5A
POWER	VCC1
DEFAULT	0x00

	D7	D6	D5	D4	D3	D2	D1	D0
HOST TYPE	-	-	-	-	-	-	-	-
8051 R/W	R/WC	R/WC	R/WC	R/WC	R/WC	R/WC	R/WC	R/WC
BIT NAME	WK_SE07	WK_SE06	WK_SE05	WK_SE04	WK_SE03	WK_SE02	WK_SE01	WK_SE00

Note: When set '1', a bit in this register masks the corresponding bit in Table 115 - Wakeup Source Register 4.

Table 123 - Wakeup Mask Register 5

HOST ADDRESS	N/A
8051 ADDRESS	0x7F5F
POWER	VCC1
DEFAULT	0x00

	D7	D6	D5	D4	D3	D2	D1	D0
HOST TYPE	-	-	-	-	-	-	-	-
8051 R/W	R/WC	R/WC	R/WC	R/WC	R/WC	R/WC	R/WC	R/WC
BIT NAME	WK_SE17	WK_SE16	WK_SE15	WK_SE14	WK_SE13	WK_SE12	WK_SE11	WK_SE10

Note: When set '1', a bit in this register masks the corresponding bit Table 116 - Wakeup Source Register 5.

User Note: An edge-sensitive IR wake-up scheme like in the LPC47N252 is susceptible to noise from external devices such as florescent lighting, etc. There are no provisions for digitally filtering this input. An external switched filter may be required to minimize noise.

Table 124 - Wakeup Mask Register 6

HOST ADDRESS	N/A
8051 ADDRESS	0x7F66
POWER	VCC1
DEFAULT	0x00

	D7	D6	D5	D4	D3	D2	D1	D0
HOST TYPE	-	-	-	-	-	-	-	-
8051 R/W	R/WC	R/WC	R/WC	R/WC	R/WC	R/WC	R/WC	R/WC
BIT NAME	WK_SE27	WK_SE26	WK_SE25	WK_SE24	WK_SE23	WK_SE22	WK_SE21	WK_SE20

Note: When set '1', a bit in this register masks the corresponding bit in Table 124 - Wakeup Mask Register 6.

Table 125 - Wakeup Mask Register 7

HOST ADDRESS	N/A
8051 ADDRESS	0x7F65
POWER	VCC1
DEFAULT	0x00

	D7	D6	D5	D4	D3	D2	D1	D0
HOST TYPE	-	-	-	-	-	-	-	-
8051 TYPE	R	R	R	R	R	R/W	R/W	R/W
BIT NAME	RESERVED					FDC_PP	FAN TACH2	FAN TACH1

Note: When set '1', a bit in this register masks the corresponding bit in **Table 118 - Wakeup Source Register 7**.

Table 126 - Wakeup Mask Register 8

HOST ADDRESS	N/A
8051 ADDRESS	0x7F56
POWER	VCC1
DEFAULT	0x00

	D7	D6	D5	D4	D3	D2	D1	D0
HOST TYPE	-	-	-	-	-	-	-	-
8051 TYPE	R/W	R/W	R/W	R/W	R/W	R/W	R/W	R/W
BIT NAME	LGPIO57	LGPIO56	LGPIO55	LGPIO54	LGPIO53	LGPIO52	LGPIO51	LGPIO50

Note: When set '1', a bit in this register masks the corresponding bit in **Table 119 - Wakeup Source Register 8**.

11.9.8 8051 HIBERNATION TIMER REGISTER

Table 127 - HTIMER Register

HOST ADDRESS	N/A
8051 ADDRESS	0x7FF3
POWER	VCC1
DEFAULT	0x00

Hibernation Timer - This 8 bit binary count-down timer can be programmed for from 30 seconds to 128 minutes in 30 second increments. When it expires (reaches "0"), it stops (remains at "0") and causes a hardware event that will wake up the 8051. This timer is clocked by the 32 KHz clock and is powered by VCC1. Writing a non-zero value to this register starts the counter from that value.

11.9.9 8051 EDGE SELECT REGISTERS

Selectable Edge interrupts

Selectable interrupts SE00-SE07 are on External INT2.

Selectable interrupts SE10-SE17 are on External INT3.

Selectable interrupts SE20-SE27 are on External INT4.

Table 128 - Edge Select 4A

HOST ADDRESS	N/A
8051 ADDRESS	0x7F57
POWER	VCC1
DEFAULT	0x00

	D7:6	D5:4	D3:2	D1:0
HOST TYPE	-	-	-	-
8051 R/W	R/W	R/W	R/W	R/W
BIT NAME	SE03 Select	SE02 Select	SE01 Select	SE00 Select

User Note: Edge-generated interrupts may occur from a change in the edge select bits.

Table 129 - Edge Selection

Edge Selection Table	D7:6
	D5:4
	D3:2
	D1:0
Edge High to low	00
Edge Low to High	01
Either Edge	10
Reserved	11

Table 130 - Edge Select 4B

HOST ADDRESS	N/A
8051 ADDRESS	0x7F58
POWER	VCC1
DEFAULT	0x00

	D7:6	D5:4	D3:2	D1:0
HOST TYPE	-	-	-	-
8051 R/W	R/W	R/W	R/W	R/W
BIT NAME AND DESCRIPTION	SE07 Select	SE06 Select	SE05 Select	SE04 Select

User Note: Edge-generated interrupts may occur from a change in the edge select bits.

Refer to **Table 129 - Edge Selection** for the edge selection table.

Table 131 - Edge Select 5A

HOST ADDRESS	N/A
8051 ADDRESS	0x7F5C
POWER	VCC1
DEFAULT	0x00

	D7:6	D5:4	D3:2	D1:0
HOST TYPE	-	-	-	-
8051 R/W	R/W	R/W	R/W	R/W
BIT NAME	SE13 Select	SE12 Select	SE11 Select	SE10 Select

User Note: Edge-generated interrupts may occur from a change in the edge select bits.

Refer to **Table 129** for the edge selection table.

Table 132 - Edge Select 5B

HOST ADDRESS	N/A
8051 ADDRESS	0x7F5D
POWER	VCC1
DEFAULT	0x00

	D7:6	D5:4	D3:2	D1:0
HOST TYPE	-	-	-	-
8051 R/W	R/W	R/W	R/W	R/W
BIT NAME	SE17 Select	SE16 Select	SE15 Select	SE14 Select

User Note: Edge-generated interrupts may occur from a change in the edge select bits.

Refer to **Table 129** for the edge selection table.

Table 133 - Edge Select 6A

HOST ADDRESS	N/A
8051 ADDRESS	0x7F61
POWER	VCC1
DEFAULT	0x00

	D7:6	D5:4	D3:2	D1:0
HOST TYPE	-	-	-	-
8051 R/W	R/W	R/W	R/W	R/W
BIT NAME	SE23 Select	SE22 Select	SE21 Select	SE20 Select

User Note: Edge-generated interrupts may occur from a change in the edge select bits.

Refer to **Table 129** for the edge selection table.

Table 134 - Edge Select 6B

HOST ADDRESS	N/A
8051 ADDRESS	0x7F62
POWER	VCC1
DEFAULT	0x00

	D7:6	D5:4	D3:2	D1:0
HOST TYPE	-	-	-	-
8051 R/W	R/W	R/W	R/W	R/W
BIT NAME AND DESCRIPTION	SE27 Select	SE26 Select	SE25 Select	SE24 Select

User Note: Edge-generated interrupts may occur from a change in the edge select bits.

Refer to **Table 129** for the edge selection table.

11.9.10 POWER FAIL IRQ

The PWRGD_INT register (**Table 135**) contains the Power Good Interrupt (PGI) bit, D0. When PGI = '1', the (VCC2) PWRGD input has been deasserted; otherwise, PGI = '0'. **Note:** PGI is not asserted when PWRGD is asserted.

The PGI bit is the source for the high-performance 8051 Power Fail Interrupt (pfi) input (**FIGURE 14**). The VCC2 power fail detect function is implemented as described in 8051 RING OSCILLATOR FAIL-SAFE CONTROLS on page 125.

The PGI bit is readable and is cleared by writing a '1' to D0 in the PWRGD_INT register.

Table 135 - Power Good Interrupt Register (PWRGD_INT)

HOST ADDRESS	8051 ADDRESS	POWER PLANE	DEFAULT
-	0x7F84	VCC1	0x00

	D7	D6	D5	D4	D3	D2	D1	D0
HOST TYPE	-	-	-	-	-	-	-	-
8051 TYPE	R	R	R	R	R	R	R	R/WC
BIT NAME	RESERVED							PGI

11.9.11 8051 EXTERNAL SERIAL IRQ GENERATION

The 8051 can assert an interrupt on the serial IRQ stream to support software-generated SCI, SMI, or PME events (FIGURE 16). The 8051 External Serial IRQ interface is controlled by the 8051_SIRQ register (Table 136).

Note: The 8051 External Serial IRQ is generated and cleared by software.

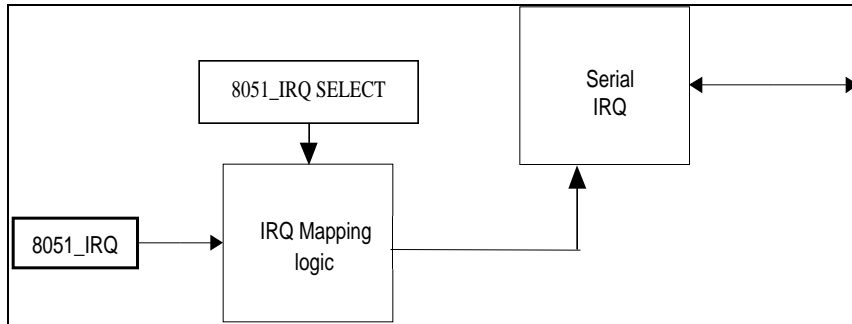


FIGURE 16 - 8051 EXTERNAL SERIAL IRQ BLOCK DIAGRAM

Table 136 - 8051_SIRQ Register

HOST ADDRESS	8051 ADDRESS	POWER PLANE	DEFAULT
-	0x7F52	VCC1	0x00

	D7	D6	D5	D4	D3	D2	D1	D0
HOST TYPE	-	-	-	-	-	-	-	-
8051 TYPE	R/W	R/W	R/W	R/W	R/W	R/W	R	R
BIT NAME	8051_IRQ SELECT				8051_IRQ ENABLE	8051_IRQ	RESERVED	

8051_IRQ SELECT

Four bits that selects which IRQ is utilized when an interrupt occurs. See Table 137 – 8051 IRQ Mapping Control Bits.

8051_IRQ ENABLE

This bit must be set to one in order for an interrupt to occur.

8051_IRQ

This bit must set to one in order for the 8051 to assert the mapped interrupt request corresponding to the 8051_IRQ SELECT bits. The default state for a disabled IRQ is asserted.

Table 137 - 8051 IRQ Mapping Control Bits

8051_IRQ ENABLE	8051_IRQ SELECT	DESCRIPTION
0	XXXX	DISABLED
1	0000	NO INTERRUPT
1	0001	MAP TO IRQ1
1	0010	MAP TO IRQ2
1	0011	MAP TO IRQ3
1	0100	MAP TO IRQ4

8051_IRQ ENABLE	8051_IRQ SELECT	DESCRIPTION
1	0101	MAP TO IRQ5
1	0110	MAP TO IRQ6
1	0111	MAP TO IRQ7
1	1000	MAP TO IRQ8
1	1001	MAP TO IRQ9
1	1010	MAP TO IRQ10
1	1011	MAP TO IRQ11
1	1100	MAP TO IRQ12
1	1101	MAP TO IRQ13
1	1110	MAP TO IRQ14
1	1111	MAP TO IRQ15

11.10 8051 CODE DEBUGGING FEATURES

The Kahuna 8051 code debugging facilities include an external Flash interface, the 8051-controlled parallel port interface and the 8051-controlled UART. Other capabilities include the 8051 single-step capabilities and the SFR-driven GPIO pins.

11.10.1 EXTERNAL FLASH INTERFACE

The Kahuna External Flash Interface enables the read-only portion of the internal 8051 program memory bus to access an external ROM device using the KBD Scan interface pins. For a detailed description of the External Flash Interface see section 13.7 External Flash Interface on page 175.

11.10.2 8051-CONTROLLED PARALLEL PORT INTERFACE

The 8051-controlled Parallel Port Interface (PPPI 8051 mode) allows the 8051 to control the Kahuna parallel port pins using a set of three on-chip memory-mapped control registers. The 8051-controlled Parallel Port Interface can be used during program code development for diagnostic print functions. For a description of the 8051-controlled Parallel Port Interface see section 9.3.1, PPPI 8051 Mode on page 112.

11.10.3 8051 SERIAL PORT

The 8051 serial port can be used during program code development for diagnostic functions. The 8051 serial port pins 8051TX and 8051RX are available on VCC1.

11.10.4 8051 SINGLE-STEP OPERATION

The Kahuna 8051 interrupt structure provides a method to perform single-step program execution.

When exiting an ISR with an **RETI** instruction, the 8051 will always execute at least one instruction of the task program. Therefore, once an ISR is entered, it cannot be re-entered until at least once program instruction is executed.

To perform a single-step operation, program one of the external interrupts (for example, int0_n) to be level sensitive and write an ISR for that interrupt that terminates as shown in **FIGURE 17**. The CPU enters the ISR when int0_n goes low, then waits for a pulse on int0_n. Each time int0_n is pulsed, the CPU exits the ISR, executes one program instruction, then re-enters the ISR.

```

JNB  TCON.1, $           ; wait for high on int0_n
JB   TCON.1, $           ; wait for low on int0_n
RETI                               ; return for ISR

```

FIGURE 17 - 8051 SINGLE-STEP ISR

11.10.5 SFR GPIO PINS

Kahuna includes 16 GPIOs SGPIO30 – SGPI37 and SGPIO40 – SGPIO47 that can be set or cleared in a single 8051 instruction cycle. These bit-wise addressable 8051 SFR-driven GPIO pins provide minimal coding overhead and low latency for efficient diagnostic functions. For a description of the Kahuna SFR GPIO pins see (see section 24.5, Bit-wise Addressable 8051 SFR GPIOs on page 259)

12 64K EMBEDDED FLASH ROM

12.1 OVERVIEW

The LPC47N252 includes a 64k embedded Flash ROM (**FIGURE 18**). The embedded Flash ROM consists of two basic components: a Flash Memory Array and a Command Sequence Interface (CSI). The Kahuna Flash ROM stores the 8051-specific embedded keyboard/system controller runtime code.

The memory arrangement of the Kahuna 64k embedded Flash ROM includes a Main memory block and an Information block. The bottom 2k of the Main Memory block (0x000 – 0x7FF), i.e. the boot block, can be locked by the write-protect pin nFWP.

All read, program and erase operations in the Kahuna embedded Flash ROM can be controlled by means of specific command sequences that can be written to the Flash ROM using standard microprocessor write timings.

The Kahuna embedded Flash ROM can be directly programmed by the 8051. The Flash ROM can also be programmed independently, i.e. without 8051 intervention, by both the LPC host through the LPC Bus interface and externally using the keyboard scan interface pins.

Note: The Following Specifications Are Preliminary And Subject To Change.

Characteristics of the 64k embedded Flash ROM are summarized in Table 138:

Table 138 – Kahuna 64K Embedded Flash ROM Feature Summary

	FEATURE		DESCRIPTION
1.	PROG/ERASE VOLTAGE		3.3V ± 10%
2.	READ VOLTAGE		3.3V ± 10%
3.	BUS-WIDTH		8-bit
4.	ACCESS TIME		45ns
5.	MEMORY ARRANGEMENT	MAIN BLOCK	64k × 8
		INFO. BLOCK	128 × 8
6.	BOOT BLOCK	SIZE	2k-Byte, Lockable
		LOCATION	Bottom
7.	ERASE	TYPES	Page/Mass (512 bytes/page)
		CYCLING	100,000 Cycles (Commercial Temp.)
8.	PROGRAMMING		Per Byte
9.	INTERFACE		All Program and Erase Operations are Enabled via a Command Sequence Interface using Standard Microprocessor Write Timings.

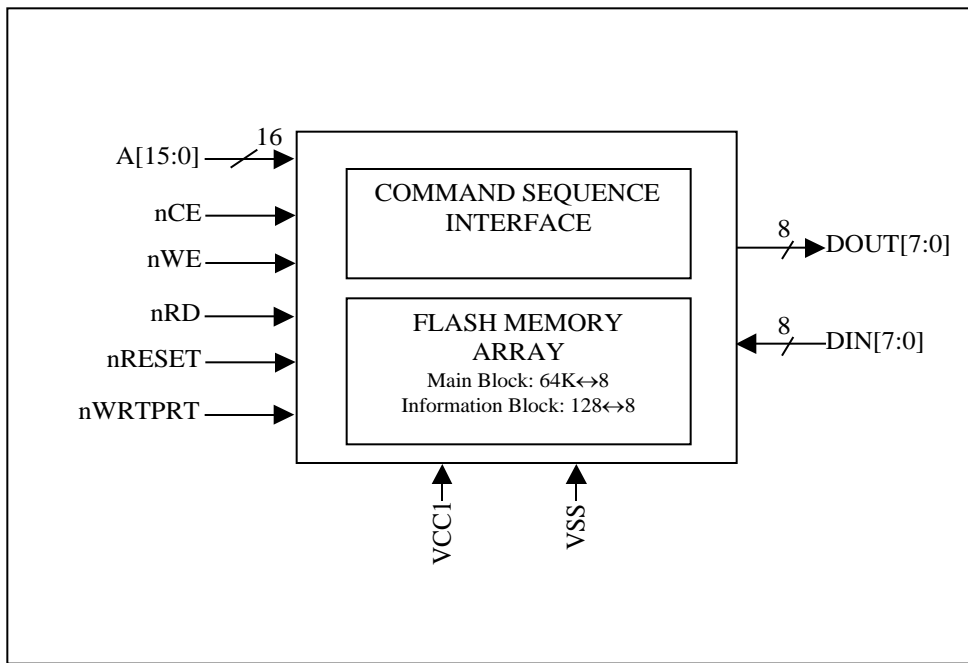


FIGURE 18 - EMBEDDED FLASH ROM BLOCK DIAGRAM

12.2 FLASH MEMORY ARRAY

The Flash Memory Array (**FIGURE 18**) is a CMOS page-erasable, mass-erasable, byte-programmable embedded flash memory that is partitioned into two memory blocks. The main memory block is organized as 65,536 8-bit words. The information block is organized as 128 8-bit words.

An erase operation in the 64k Embedded Flash sets the affected memory array bits to one, while program operations write zeros. To reprogram any '0' bit in a page to '1', the page must be erased.

A page (512 bytes) is composed of eight adjacent rows for the main memory block and two adjacent rows for the information block. The page erase operation erases all bytes within a page.

To modify the contents of the 64k Embedded Flash, VCC2 must be > 3v for at least 250µs before program or erase operations may begin.

The Flash Memory Array erases and programs with a 3.3V-only power supply; i.e. Kahuna does not require an external VPP supply. A summary of the Kahuna Flash Memory Array features is shown below in **Table 139**.

Table 139 - Flash Memory Array Features

	FEATURE		DESCRIPTION
1.	PROG/ERASE VOLTAGE		3.3V ± 10% (T _J = 0C to 125C)
2.	READ VOLTAGE		
3.	MEMORY	MAIN	64k × 8
		INFO.	128 × 8
4.	BUS-WIDTH		8-bit
5.	ACCESS TIME		45ns (max)
6.	ERASE	TYPES	Page, Mass
		CYCLING	100,000 Cycles (typ.)
7.	DATA RETENTION		100 years
8.	BYTE PROGRAM TIME		20µs (min)
9.	PAGE ERASE TIME		10ms (min)
10.	MASS ERASE TIME		10ms (min)

12.3 COMMAND SEQUENCE INTERFACE (CSI)

12.3.1 OVERVIEW

The Command Sequence Interface handles all of the Flash-related operations; including, address mapping for the Flash Memory Array, command code decoding, power management, and programming.

The CSI includes host/flash interface logic, address and data latches for argument retention, a command register and a status register (**FIGURE 19**). These functions are described in the sub-sections that follow.

The CSI host interface logic is driven by the command register (see section 12.3.4 Command Register, below). The CSI host interface behavior is summarized in **FIGURE 20 - CSI HOST INTERFACE STATE DIAGRAM** on page 158.

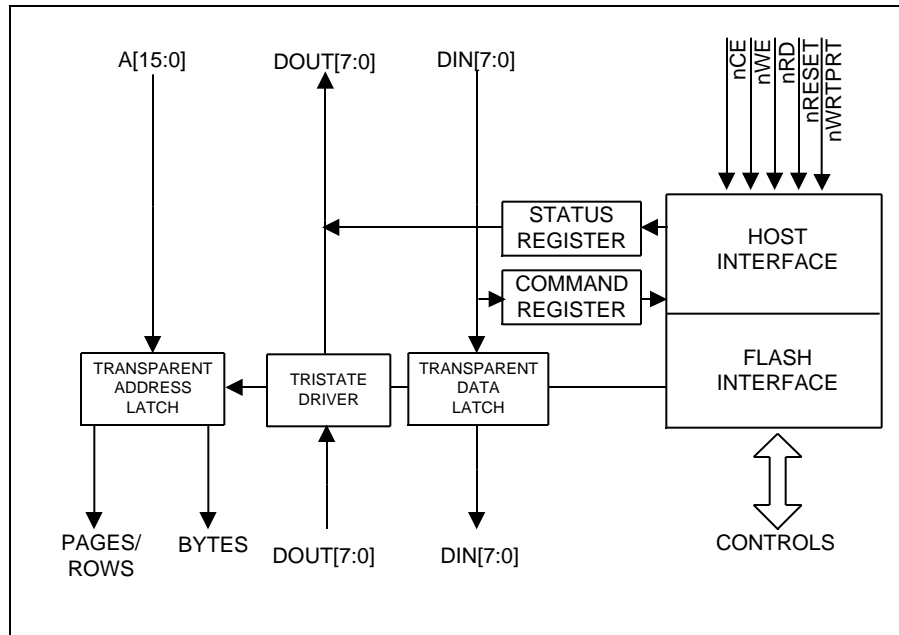


FIGURE 19 - CSI BLOCK DIAGRAM

12.3.2 ADDRESS MAPPING

The 64k Embedded Flash ROM address inputs A[15:0] access the pages, rows and bytes of the Flash Memory Array Main Memory and Information blocks. The relationship between the 64k Embedded Flash ROM address bus and the Flash Memory Array Main Memory addressing is shown below in Table 140. The relationship between the 64k Embedded Flash ROM address bus and the Flash Memory Array Information block addressing is shown below in Table 141. The upper seven host address bits A15 – A9 determine the Flash page, the next three lower address bits A8 – A6 determine the row and the least significant six bits determine the byte.

Table 140 - Main Memory- 64K EMBEDDED FLASH ADDRESS MAPPING

FLASH ADDRESS															
A15	A14	A13	A12	A11	A10	A9	A8	A7	A6	A5	A4	A3	A2	A1	A0
PAGES							ROWS			BYTES					

Table 141 - Information Block - 64K Embedded Flash Address Mapping

FLASH ADDRESS															
A15	A14	A13	A12	A11	A10	A9	A8	A7	A6	A5	A4	A3	A2	A1	A0
X	X	X	X	X	X	X	X	X	ROWS	BYTES					

12.3.3 RESET

The Kahuna embedded flash block is reset when the CSI nRESET input is asserted (**FIGURE 18**). The Kahuna CSI nRESET input is asserted during VCC1 POR, when the nEA pin is asserted '0', when the 8051 is idle or sleeping during 8051 code fetch access mode (**Table 152**), and when the RESET FLASH bit D7 in the Flash Program register is asserted '1' (see section 13.10 Flash Program Register on page 182).

Reset forces the flash interface to the STANDBY state. STANDBY represents the lowest power consumption state for the Kahuna Embedded Flash ROM. In the STANDBY state the Flash Memory Array is disabled, the CSI state machine is stopped, and the microprocessor interface is disabled.

When the nRESET input is de-asserted, the CSI switches the Flash ROM interface from STANDBY to READ ARRAY mode (see section 12.3.7.2 Read Array Mode).

The nRESET input is also asserted and deasserted when the PGM pin is deasserted to restore READ ARRAY mode following ATE Program Access cycles (see section 13.6 ATE Flash Program Access).

12.3.4 COMMAND REGISTER

The Kahuna embedded flash block command register is used to alter the state of the CSI Host Interface (**FIGURE 19**). The command register is write-only and set to FFh by default (Table 142).

The command register does not occupy an addressable memory location but is programmed using standard microprocessor write timings when the CSI nWE and nCE inputs are asserted.

Descriptions of the CSI command codes are shown below in **Table 143**. The command register is always write-accessible except when executing CSI argument bus cycles (see section 12.3.5 CSI Command Types, below) and when the BUSY bit is asserted.

Table 142 - Kahuna Embedded Flash Command Register

ADDRESS	N/A
POWER	VCC1
DEFAULT	0xFF (VCC1 POR)

	D7	D6	D5	D4	D3	D2	D1	D0
TYPE	W	W	W	W	W	W	W	W
BIT NAME	CMD7	CMD6	CMD5	CMD4	CMD3	CMD2	CMD1	CMD0

Table 143 - CSI Command Codes

CMD CODE (hex)	CSI MODE	DESCRIPTION (Note 42)
FF	READ ARRAY	The READ ARRAY command places the CSI in READ ARRAY mode. In READ ARRAY mode, memory data is output on the DOUT data pins. READ ARRAY mode is the default following reset. NOTE: the READ ARRAY command does not return Flash data; to read from the Flash array following a READ ARRAY command, a read operation must be performed.
80	PROGRAM BYTE	The PROGRAM BYTE command prepares the CSI to accept the program address and program data in a second (argument) bus write cycle. Once the second bus cycle has completed, programming begins and the CSI host interface is placed into the READ STATUS mode. The boot block cannot be programmed using the PROGRAM BYTE command when the CSI nWRTPRT input is asserted (see section 12.4 Flash Write Protect on page 164).
40	ERASE PAGE	The ERASE PAGE command prepares the CSI to accept the page address in a second (argument) bus write cycle. Once the second bus cycle has completed, page erasing begins and the CSI host interface is placed into the READ STATUS mode. The boot block cannot be erased using the PAGE ERASE command when the CSI nWRTPRT input is asserted (see section 12.4 Flash Write Protect on page 164).

CMD CODE (hex)	CSI MODE	DESCRIPTION (Note 42)
20	MASS ERASE	The MASS ERASE command places the CSI in the MASS ERASE mode so that Flash Main Memory Block data and/or the Info Block data will be erased. If the Info block is selected (using the SET INFO BLOCK ACCESS command), both the Info Block and the Main Block will be erased by a MASS ERASE command. If the Main Block is selected (using the SET MAIN BLOCK ACCESS command), only the Main Block will be erased by a MASS ERASE command. Once the MASS ERASE command is given, erasing begins and the CSI host interface is placed into the READ STATUS mode. MASS ERASE is disabled if the Flash Boot Block is locked.
10	READ STATUS	The READ STATUS command prepares the CSI to output the status register in all subsequent read cycles, independent of the presented address. Once the READ STATUS command code has been written, the CSI is idle until the next valid command. The CSI automatically enters the READ STATUS mode following all valid and invalid commands except the READ ARRAY command. NOTE: the READ STATUS command does not return CSI data; to read the CSI Status register following a READ STATUS command, a read operation must be performed.
A0	CLEAR STATUS	The CLEAR STATUS command resets the error bits in the CSI Status register. Once the CLEAR STATUS command has completed, the CSI is idle and in the Read Status mode until the next valid command. NOTE: asserted CSI Status register error bits must be deasserted using the CLEAR STATUS command before executing subsequent CSI commands (see section 12.3.6 Status Register on page 156).
B0	SET MAIN BLOCK ACCESS	The SET MAIN BLOCK ACCESS command selects the 64k-byte Main Memory Block. Once the SET MAIN BLOCK ACCESS command has completed, the CSI is idle and in the Read Status mode until the next valid command. All subsequent commands apply to the Main Block until the SET INFO BLOCK ACCESS command is specified.
C0	SET INFO BLOCK ACCESS	The SET INFO BLOCK ACCESS command selects the 128-byte Information Memory Block. Once the SET INFO BLOCK ACCESS command has completed, the CSI is idle and in the Read Status mode until the next valid command. All subsequent commands apply to the Information Block until the SET MAIN BLOCK ACCESS command is specified.

Note 43 - All command codes **not** shown in this table are RESERVED by SMC and cannot be used. RESERVED command codes generate CSI command errors (see section 12.3.6.2 CMD Error Bit – D6 on page 157).

12.3.5 CSI COMMAND TYPES

There are two types of CSI commands: commands that require a single bus cycle (Type 1) and commands that require two bus cycles (Type 2).

Type 1 commands are executed as soon as the CSI command code is written to the command register. Type 1 commands include READ ARRAY, MASS ERASE, CLEAR STATUS, READ STATUS, SET MAIN BLOCK ACCESS and SET INFO BLOCK ACCESS.

Type 2 commands require an argument bus cycle following the command code bus cycle. Type 2 commands include PROGRAM BYTE, and ERASE PAGE. The required address and data arguments for Type 2 commands depends upon the command code.

Setup errors occur if PROGRAM BYTE and ERASE PAGE commands are not followed by a write cycle for address and/or data arguments.

The contents of the address bus are ignored during the command code bus cycle for both Type 1 and Type 2 commands.

A summary of the CSI command types and bus cycles is shown below in Table 144.

Table 144 - CSI Command Types and Bus Cycles

COMMAND	TYPE	COMMAND CODE CYCLE			ARGUMENT CYCLE			NOTES
		OPERATION	ADDRESS	DATA	OPERATION	ADDRESS	DATA	
READ ARRAY	1	WRITE	X	FFH	-	-	-	Note 49
PROGRAM BYTE	2	WRITE	X	80H	WRITE	PRA	PRD	Note 44, Note 45, Note 48, Note 49
ERASE PAGE	2	WRITE	X	40H	WRITE	PGA	X	Note 46, Note 48, Note 49
MASS ERASE	1	WRITE	X	20H	-	-	-	Note 48, Note 49
READ STATUS	1	WRITE	X	10H	-	-	-	Note 49 Note 48
CLEAR STATUS	1	WRITE	X	A0H	-	-	-	Note 48, Note 49
SET MAIN BLOCK ACCESS	1	WRITE	X	B0H	-	-	-	Note 48, Note 49
SET INFO BLOCK ACCESS	1	WRITE	X	C0H	-	-	-	Note 48, Note 49

Note 44: PRA = Program Address

Note 45: PRD = Program Data

Note 46: PGA = Page Address

Note 47: SRD = Status Register Data

Note 48: The CSI is IDLE following this command

Note 49: X = Don't Care

12.3.6 STATUS REGISTER

The CSI status register displays the working state of Command Sequence Interface hardware (**FIGURE 19**). The status register is read-only and is set to '00000X00'b by default (**Table 145**). Note that status register bit D2 always reflects the state of the CSI nWRTPRT input (see section 12.3.6.6 Lock Bit – D2, below).

The CSI Status register is cleared by the CLEAR STATUS command, VCC1 POR and nRESET.

APPLICATION NOTE: Asserted CSI status register error bits must be deasserted using the CLEAR STATUS command before executing subsequent CSI commands.

Table 145 - CSI Status Register

ADDRESS	N/A
POWER	VCC1
DEFAULT	'00000X00'b (VCC1 POR)

	D7	D6	D5	D4	D3	D2	D1	D0
TYPE	R	R	R	R	R	R	R	R
BIT NAME	BUSY	CMD ERROR	PROTECT ERROR	SETUP ERROR	INFO	LOCK	RESERVED	

12.3.6.1 Busy Bit – D7

The BUSY indicates the state of the PROGRAM BYTE, MASS ERASE and PAGE ERASE operations. When the BUSY bit is '1', either a PROGRAM BYTE, MASS ERASE or PAGE ERASE operation is in progress. When the BUSY bit is '1', writes to the CSI will assert the status register CMD Error bit (see section 12.3.6.2 CMD Error Bit – D6, below). When the BUSY bit is '0', program or erase operations have completed and the CSI is ready to accept a command. The BUSY bit is cleared by VCC1 POR.

During Byte Programming, Page Erase and Mass Erase cycles, the BUSY bit is asserted at the end of the argument bus cycle and deasserted at the falling edge of NVSTR plus Trcv (see FIGURE 22 and Table 147 in section 12.3.7.3 Program Byte Mode, FIGURE 23 and Table 148 in section 12.3.7.4 Page Erase Mode and FIGURE 24 and Table 149 in section 12.3.7.5 Mass Erase Mode).

The BUSY bit is not asserted during READ ARRAY, READ STATUS, CLEAR STATUS, SET MAIN BLOCK ACCESS and SET INFO BLOCK ACCESS operations. The BUSY bit is not affected by the CLEAR STATUS command. The BUSY bit is cleared by VCC1 POR and nRESET.

12.3.6.2 CMD Error Bit – D6

The CMD ERROR identifies that either a valid command code or a RESERVED CSI command code has been received or a write to the CSI has been attempted while the BUSY bit is asserted. When the CMD ERROR bit is deasserted '0', a valid command code has been written to the CSI command register. Valid CSI command codes are shown in **Table 143**. When the CMD ERROR bit is asserted '1', a RESERVED command code has been written to the CSI command register or a write to the CSI has been attempted while the BUSY bit is asserted (see section 12.3.7.10.1 Command Errors on page 163).

The CMD ERROR bit is deasserted by the CLEAR STATUS command, VCC1 POR, and nRESET.

12.3.6.3 Protect Error Bit – D5

The PROTECT ERROR identifies byte programming and erase operations on write-protected memory (see section 12.4 Flash Write Protect on page 164). When the PROTECT ERROR bit is deasserted '0', assuming the bit was cleared initially, a byte programming or erase operation has been requested for non-write-protected memory. When the PROTECT ERROR bit is asserted '1', a byte programming or erase operation has been requested for write-protected memory (see section 12.3.7.10.2 Write Protect Errors on page 163).

The PROTECT ERROR bit is deasserted by the CLEAR STATUS command, VCC1 POR and nRESET.

12.3.6.4 Setup Error Bit – D4

The SETUP ERROR identifies byte programming and page erase setup errors. Setup errors specifically apply to Type 2 CSI commands (see section 12.3.5 CSI Command Types on page 155). When the SETUP ERROR bit is deasserted '0', assuming the bit was cleared initially, the argument cycle for a Type 2 command has been completed successfully. When the SETUP ERROR bit is asserted '1', a Type 2 PROGRAM BYTE or ERASE PAGE command code cycle has been followed by a read bus cycle instead of a write (argument) cycle. (see section 12.3.7.10.3 Setup Errors on page 163).

The SETUP ERROR bit is deasserted by the CLEAR STATUS command, VCC1 POR and nRESET.

12.3.6.5 Info Bit – D3

The INFO identifies whether the Main Memory or Information Memory is selected in the Flash Memory Array (see the SET MAIN BLOCK ACCESS and SET INFO BLOCK ACCESS CSI command codes in **Table 143** and section 12.3.7 CSI State Sequencing on page 158).

When Information Memory is selected, the CSI status register INFO bit is asserted '1'. When Main Memory is selected, the CSI status register INFO bit is deasserted '0'. The Main Memory is selected by default following VCC1 POR and nRESET.

The INFO bit is not affected by the CLEAR STATUS command.

12.3.6.6 Lock Bit – D2

The LOCK bit D2 in the CSI status register is the inverse of the nWRTPRT input (see section 12.4 Flash Write Protect on page 164). When the nWRTPRT input is '1', i.e. the boot block is not write-protected (unlocked), the CSI status register LOCK bit is '0'. When the nWRTPRT input is '0', i.e. the boot block is write-protected (locked), the CSI

status register LOCK bit is '1'. The LOCK bit is not affected by the CLEAR STATUS command and is not affected by VCC1 POR or nRESET; i.e., there is no LOCK bit default.

12.3.7 CSI STATE SEQUENCING

12.3.7.1 Overview

CSI state sequencing implies two independent and concurrent processes: the host interface function and the flash interface function (**FIGURE 19**). The CSI host interface function is illustrated in **FIGURE 20**. The host interface handles user commands for the flash interface so that, for example, a MASS ERASE operation can be executed by the flash interface while the host interface transitions to a state that allows to the initiator to measure the operation progress.

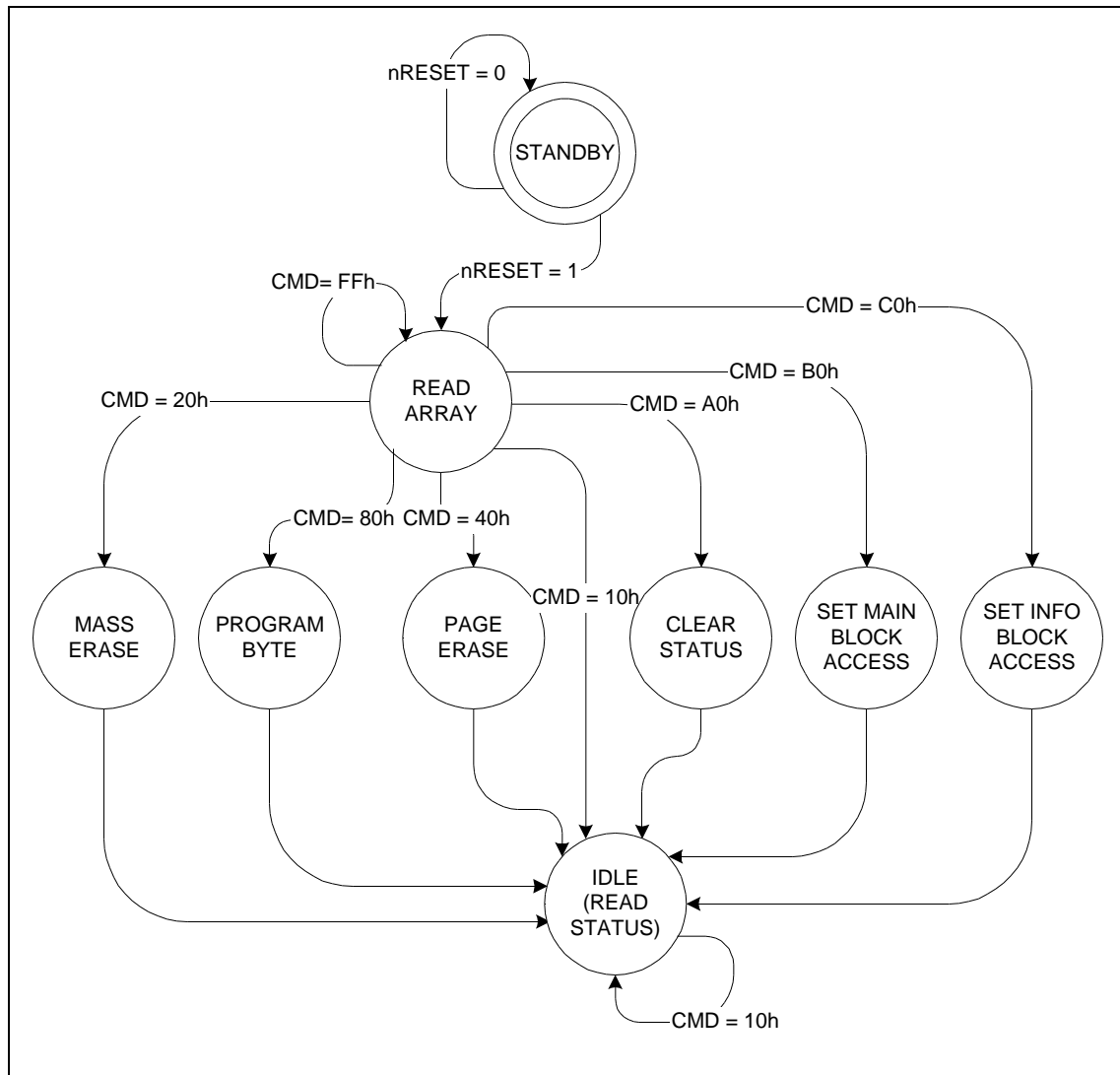


FIGURE 20 - CSI HOST INTERFACE STATE DIAGRAM

12.3.7.2 Read Array Mode

READ ARRAY mode is a pass-through mode for the CSI hardware: the address bus A[15:0] is directly connected to the memory array address inputs and the memory array data bus is directly connected to the DOUT[7:0] data bus (**FIGURE 18**). In READ ARRAY mode (**FIGURE 21**), the DOUT pins always contain the valid contents of the selected flash memory 45 ns max after the address bus has stabilized. READ ARRAY mode is the default for the Kahuna embedded flash following a CSI reset (**FIGURE 20**). READ ARRAY mode is used during 8051 execution.

The CSI remains in READ ARRAY mode indefinitely until nRESET is asserted or a command is given to explicitly change modes. The Flash Memory Array signals XE, YE, and SE behave as shown in **FIGURE 21** for READ cycles. The Flash Memory Array signals PROG, ERASE, MAS1 and NVSTR are always '0' for READ cycles. The Flash Memory Array signal OE may be driven by an inverted version of the host read signal.

In READ ARRAY mode, write cycles to the 64k Embedded Flash Host Interface program the CSI command register.

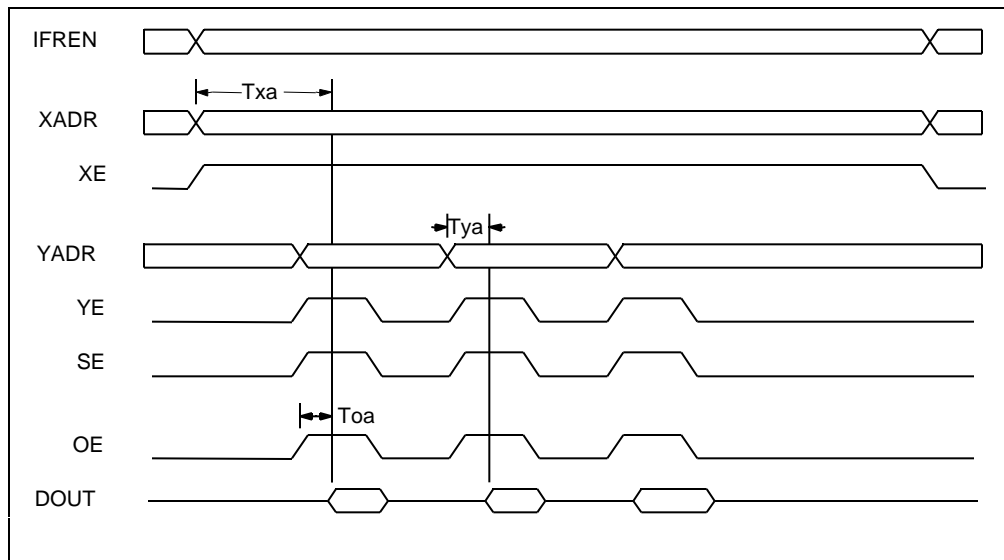


FIGURE 21 - FLASH CORE READ ARRAY TIMING DIAGRAM

Table 146 - Flash Core Read Array Timing Values

	NAME	MAX (ns)	COMMENT
1	Txa	45	X address access time
2	Toa	4	OE access time
3	Tya	45	Y address access time

12.3.7.3 Program Byte Mode

In Program Byte mode the CSI host interface uses the transparent address and data latches to maintain the byte programming arguments from the second host bus write cycle. The CSI flash interface then cycles the appropriate programming controls to write the flash with the new data (**FIGURE 22**).

The Flash Memory Array signals XE, and YE behave as shown in **FIGURE 22** for Program Byte cycles; the SE signal is always "0". The CSI status register BUSY bit is asserted as described in section 12.3.6.1 Busy Bit – D7 on page 157.

At the end of a Program Byte operation, the host interface and the flash interface idle until the next command is given.

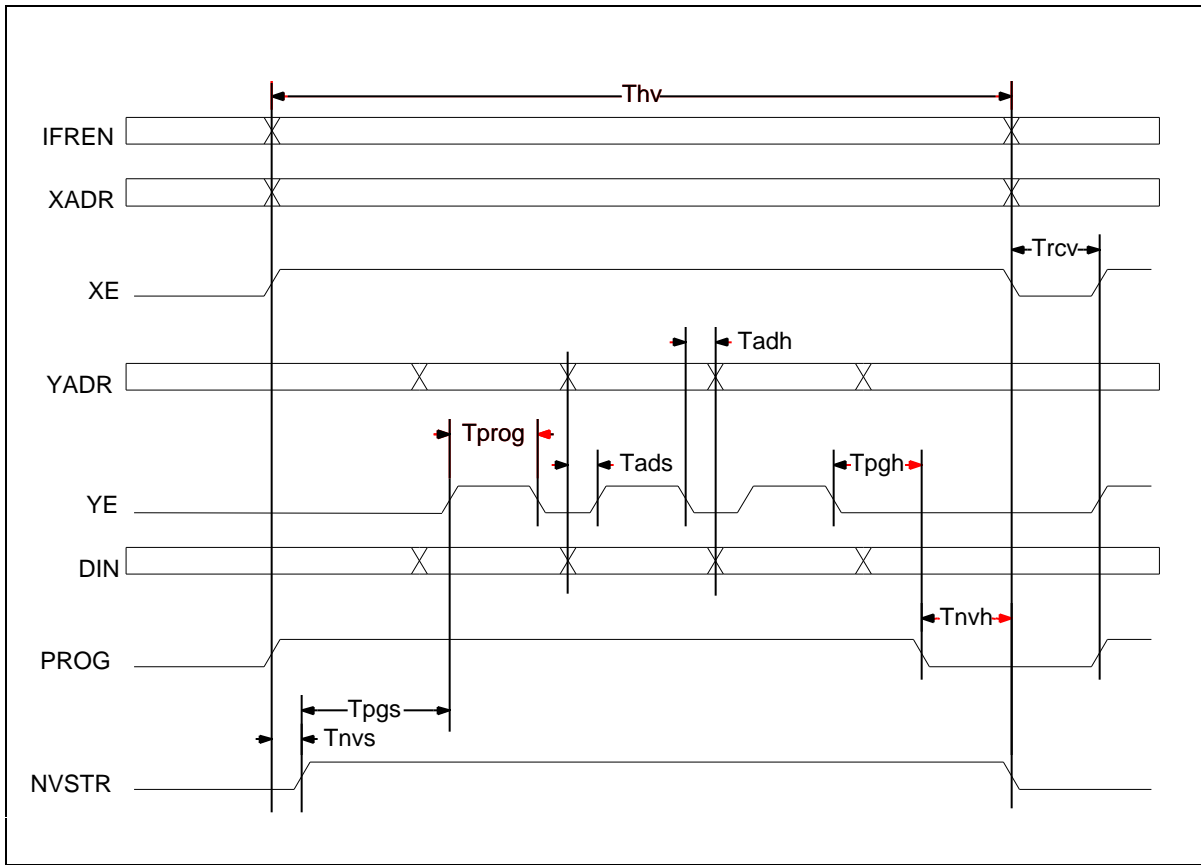


FIGURE 22 – FLASH CORE PROGRAM TIMING DIAGRAM

Table 147 - Flash Core Program Timing Values

NAME	MIN	MAX	UNITS	COMMENT
Tnvs	5		μs	PROG/ERASE to NVSTR set up time
Tnvh	5		μs	NVSTR hold time
Tpgs	10		μs	NVSTR to program set up time
Tpggh	20		ns	program hold time
Tprog	20	40	μs	program time
Tads	20		ns	address/data set up time
Tadh	20		ns	address/data hold time
Trcv	1		μs	recovery time
Thv		25	ms	cumulative HV period

12.3.7.4 Page Erase Mode

In Page Erase mode, the CSI host interface uses the transparent address latch to maintain the page address argument from the second host bus write cycle. The CSI flash interface then cycles the appropriate controls to erase the page (**FIGURE 23**). The Flash Memory Array signals YE, SE, OE, MAS1 are always '0' for Page Erase cycles; the XE signal behaves as shown in **FIGURE 23**. The CSI status register BUSY bit is asserted as described in section 12.3.6.1 Busy Bit – D7 on page 157. At the end of a Page Erase operation, the host interface and the flash interface idle until the next command is given.

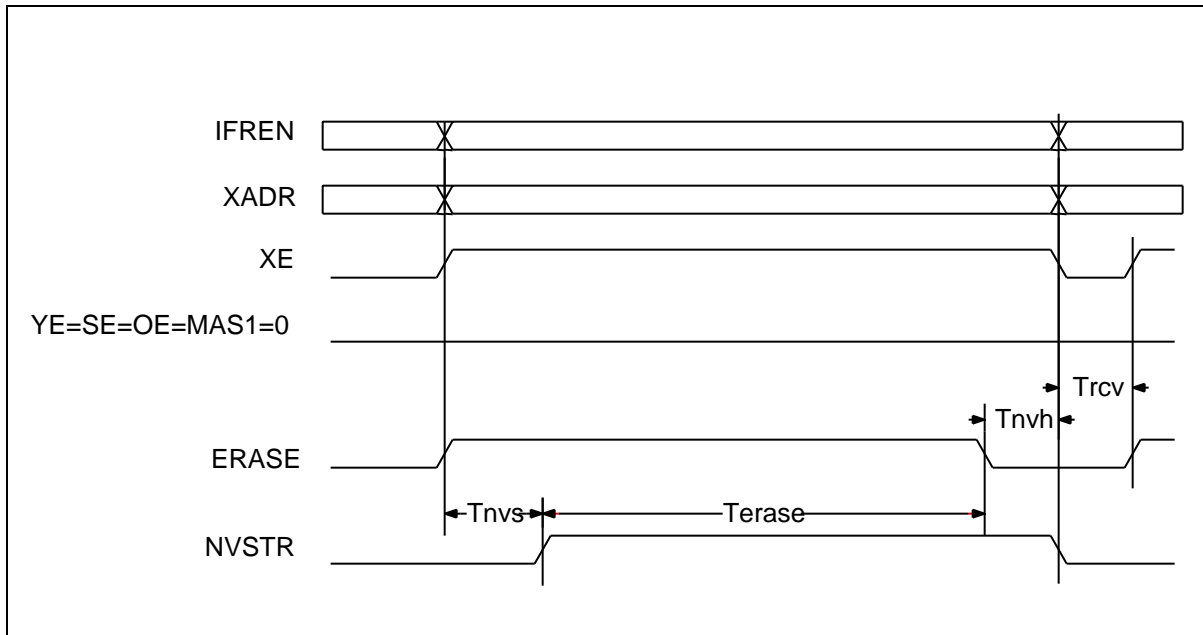


FIGURE 23 - FLASH CORE PAGE ERASE TIMING DIAGRAM

Table 148 - Flash Core Page Erase Timing Values

NAME	MIN	MAX	UNITS	COMMENT
Tnvs	5		μs	PROG/ERASE to NVSTR set up time
Terase	2	4	ms	Erase time
Tnvh	5		μs	NVSTR hold time
Trcv	1		μs	Recovery time

12.3.7.5 Mass Erase Mode

The Mass Erase mode uses the CSI flash interface to cycle the appropriate controls to mass erase the Flash Memory Array (**FIGURE 24**). The Flash Memory Array signals YE, SE, OE, are always '0' for Mass Erase cycles; the XE signal behaves as shown in **FIGURE 24**. The CSI status register BUSY bit is asserted as described in section 12.3.6.1 Busy Bit – D7 on page 157. At the end of a Mass Erase operation, the host interface and the flash interface idle until the next command is given.

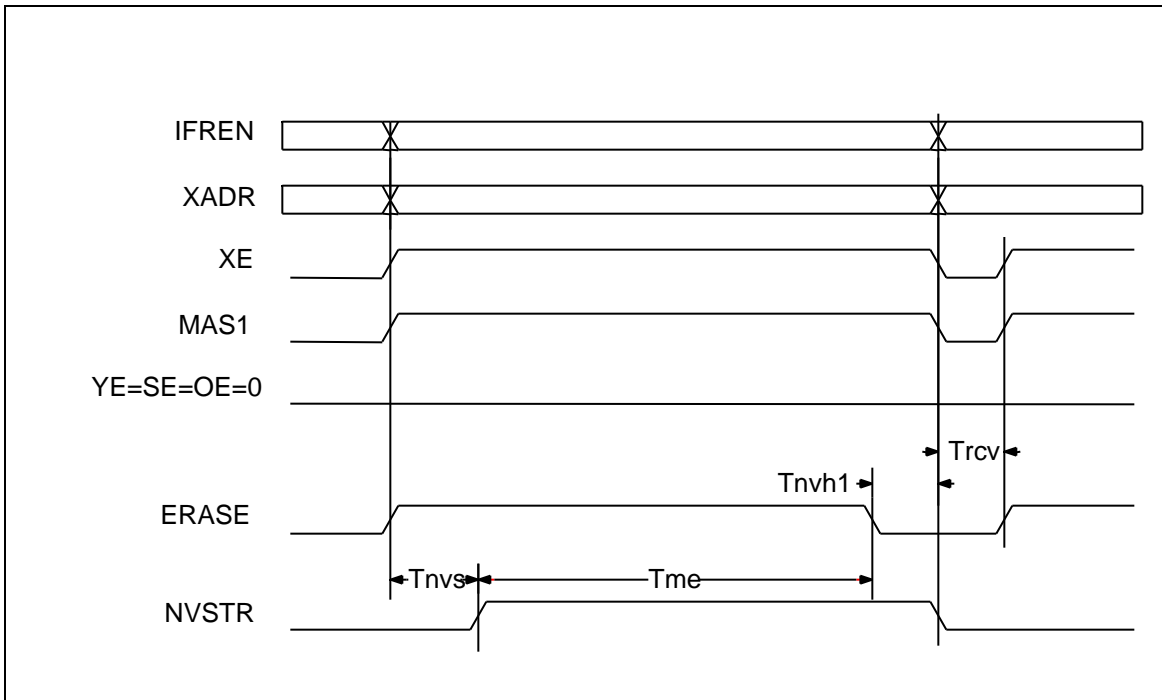


FIGURE 24 – FLASH CORE MASS ERASE TIMING DIAGRAM

Table 149 - Flash Core Mass Erase Timing Values

NAME	MIN	MAX	UNITS	COMMENT
Tnvs	5		μs	PROG/ERASE to NVSTR set up time
Tnh1	100		μs	NVSTR hold time
Trcv	1		μs	Recovery time
Tme	2	4	ms	Mass erase time

12.3.7.6 Read Status (Idle) Mode

The Read Status Mode uses the CSI host interface to disconnect the flash memory array from the DOUT bus and makes the CSI status register available for subsequent host read cycles (FIGURE 20). Assuming all program operations are complete, the CSI flash interface sets the Flash Memory Array interface signals to the standby mode for the duration of the Read Status mode. The CSI host interface and the Flash Memory Array remain in the Read Status (Idle) mode indefinitely until the next command is given. In Read Status mode, write cycles to the 64k Embedded Flash Host Interface program the CSI command register (not shown in FIGURE 20).

12.3.7.7 Clear Status Mode

The Clear Status Mode uses the CSI host interface to disconnect the flash memory array from the DOUT bus, deasserts the status register error bits (Table 145), and makes the CSI status register available for subsequent host read cycles (FIGURE 20). The CSI flash interface sets the Flash Memory Array signals to the standby mode for the duration of the Clear Status mode. The CSI host interface and the Flash Memory Array interface remain in the Read Status (Idle) mode until the next command is given.

12.3.7.8 Set Main Block Access Mode

The Set Main Block Access mode uses the CSI host interface to disconnect the flash memory array from the DOUT bus, selects the Main Memory block in the Flash Memory Array, resets the INFO bit in the CSI status register to '0' (see section 12.3.6.5 Info Bit – D3 on page 157), and makes the CSI status register available for subsequent host read cycles (FIGURE 20).

The CSI flash interface sets the Flash Memory Array interface signals to the standby mode for the duration of the Set Main Block Access mode.

The CSI host interface and the Flash Memory Array interface remain in the Read Status (Idle) mode until the next command is given.

12.3.7.9 Set Info Block Access Mode

The Set Info Block Access mode uses the CSI host interface to disconnect the flash memory array from the DOUT bus, selects the Information Memory block in the Flash Memory Array, sets the INFO bit in the CSI status register to '1' (see section 12.3.6.5 Info Bit – D3 on page 157), and makes the CSI status register available for subsequent host read cycles (FIGURE 20).

The CSI flash interface sets the Flash Memory Array interface signals to the standby mode for the duration of the Set Info Block Access mode.

The CSI host interface and the Flash Memory Array interface remain in the Read Status (Idle) mode until the next command is given.

12.3.7.10 CSI Host Interface Error Handling

12.3.7.10.1 Command Errors

When a write to the CSI command register has been attempted while the BUSY bit is asserted, the write data is rejected (i.e. the data in the command register is not overwritten), the state machine asserts the CMD ERROR bit in the CSI status register, and the command in progress continues to completion.

When a RESERVED command code is written to the CSI command register when the BUSY bit is deasserted, the data in the command register is ignored, the state machine asserts the CMD ERROR bit in the CSI status register, and the CSI host interface transitions to the IDLE state (not shown in FIGURE 20).

For information regarding RESERVED command codes see Note 42 in Table 143 and section 12.3.6.2 CMD Error Bit – D6. For information regarding the BUSY bit see 12.3.6.1 Busy Bit – D7 on page 157.

12.3.7.10.2 Write Protect Errors

When a byte programming or erase operation has been requested for write-protected memory, the command is rejected, the state machine asserts the PROTECT ERROR bit in the CSI status register and transitions to the IDLE state (not shown in FIGURE 20).

For information regarding write-protection errors see section 12.4 Flash Write Protect on page 164 and section 12.3.6.3 Protect Error Bit – D5 on page 157.

12.3.7.10.3 Setup Errors

When a PROGRAM BYTE or ERASE PAGE command code cycle has been followed by a read bus cycle instead of a write cycle, the command is terminated, the state machine asserts the SETUP ERROR bit in the CSI status register and transitions to the IDLE state (not shown in FIGURE 20).

For information regarding setup errors see section 12.3.5 CSI Command Types on page 155 and section 12.3.6.4 Setup Error Bit – D4 on page 157.

12.4 FLASH WRITE PROTECT

When the CSI Flash Write Protect input nWRTPRT is asserted, the bottom 2k bytes (0x0000 – 0x07FF) of the Flash Main Memory Array (boot block) are write protected and cannot be changed by any programming method including byte programming, page erase or mass erase.

When nWRTPRT is asserted only the upper 62k of flash can be re-programmed or page erased; i.e., mass erase is disabled. When nWRTPRT is de-asserted, all programming and erase functions, including mass erase, are enabled.

The CSI nWRTPRT input is connected to the nFWP input pin and can also be controlled by the 8051 (see section 12.5 8051 Flash Boot Block Protect Controls).

12.5 8051 FLASH BOOT BLOCK PROTECT CONTROLS

12.5.1 OVERVIEW

The Kahuna flash boot block can be hardware write-protected by the nFWP input pin. When the nFWP is asserted, the Flash boot block is locked and cannot be modified by any method until the nFWP pin is deasserted. There is also an 8051 runtime control FWRTPRT that can lock and unlock the flash boot block when the nFWP pin is deasserted. The Kahuna PGM pin can override both the nFWP pin and the FWRTPRT bit. The FWRTPRT bit is D0 in the 8051 Flash Boot Block Protect register (**Table 151**).

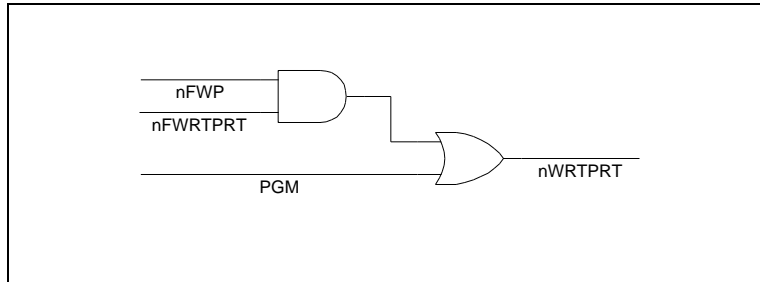


FIGURE 25 - FLASH BOOT BLOCK WRITE-PROTECT CONTROLS

Note: This figure is for illustration purposes only and is not intended to suggest specific implementation details.

Table 150 – Flash Boot Block Controls Truth Table

	nFWP (Note 50)	FWRTPRT (Note 51)	PGM (Note 52)	DESCRIPTION
1.	1	1/0	0	When the nFWP input pin is deasserted, the 8051 can lock and unlock the Flash Boot Block using the FWRTPRT bit (see section 12.5.2.2 FWRTPRT – D0, below).
2.	0	X	0	When the nFWP input pin is asserted, the 8051 cannot unlock the Flash Boot Block.
3.	X	X	1	The PGM input pin overrides the 8051 FWRTPRT bit and the nFWP input pin. When the PGM pin is asserted, the Flash Boot Block is not write protected.

Note 50: nFWP is the Kahuna Flash Write Protect input pin.

Note 51: FWRTPRT is the 8051 Flash Write Protect bit D0 in the Flash Boot Block Protect register (Table 151).

Note 52: PGM is the Kahuna External Program Enable input pin.

12.5.2 8051 FLASH BOOT BLOCK PROTECT REGISTER

The 8051 Flash Boot Block Protect register is shown below in Table 151.

Table 151 – 8051 Flash Boot Block Protect Register

HOST ADDRESS	N/A
8051 ADDRESS	0x7F88
POWER	VCC1
DEFAULT	0x00

	D7	D6	D5	D4	D3	D2	D1	D0
HOST TYPE	-	-	-	-	-	-	-	-
8051 TYPE	R	R	R	R	R	R	R	R/W
BIT NAME	RESERVED							FWRTPRT

12.5.2.1 RESERVED – D[7:1]

Bits D7 – D1 are RESERVED. RESERVED bits cannot be written and return ‘0’ when read.

12.5.2.2 FWRTPRT – D0

The Flash Write Protect bit FWRTPRT permits the 8051 to lock the Flash boot block when the nFWP input pin is deasserted (see item #1 in Table 150). When FWRTPRT is ‘1’, the Flash Boot Block is locked, regardless of the state of the nFWP input pin. When FWRTPRT is ‘0’ (default), the Flash Boot Block is unlocked if the nFWP pin is deasserted.

12.6 FLASH CSI PROGRAMMING EXAMPLES

12.6.1 OVERVIEW

This section provides two C-like examples of Kahuna 64k Embedded Flash programming using the CSI Program Byte and Mass Erase commands. As shown in the examples that follow, all transactions with the Kahuna 64k Embedded Flash CSI Host Interface are simple read and write functions.

There is also another function NO_ERRORS_&_BUSY described here that is used in both the Program Byte and Mass Erase examples to check the CSI Status register during programming operations.

For the purposes of these examples all functions use the 8051 Flash Programming Interface (see section 13.4 8051 Flash Program Access on page 171). It is also assumed that the 64k Embedded Flash ROM Main Memory Block is selected and that the Flash is in the Read Array mode before the examples begin.

12.6.1.1 CSIWRITE Function

The CSIWRITE function uses the 8051 Program Access registers to write to the CSI Host interface (FIGURE 26). For information regarding how to activate the 8051 Program Access Interface see section 13.2 Flash Program Interface Decoder.

The CSIWRITE function requires two parameters ‘address’ and ‘data’, although the address argument is not relevant during CSI Command Code cycles. Note that the address register arguments are initialized before the data register transaction occurs.

```

// Declarations
HIGH_ADDR_REG = 0x7FB0;           // 16-bit High Addr. register MMCR Address.
LOW_ADDR_REG = 0x7FB1;           // 16-bit Low Addr. register MMCR Address.
DATA_REG = 0x7FB2;               // 16-bit Data register MMCR Address.

// Executable Code
void CSIWRITE(int address, int data)
{
    // Load Address Registers First.
    outportb(HIGH_ADDR_REG,       // Load High Address Register.
              ((address >> 8) & 0xFF));
    outportb(LOW_ADDR_REG, (address & 0xFF)); // Load Low Address Register.
    outportb(DATA_REG, (data & 0xFF));      // Write Data Register Last.
};

```

FIGURE 26 - CSIWRITE COMMAND FUNCTION

12.6.1.2 CSIREAD Function

The CSIREAD function uses the 8051 Program Access registers to read to the CSI Host interface (FIGURE 24). For information regarding how to activate the 8051 Program Access Interface, see section 13.2 Flash Program Interface Decoder.

The CSIREAD function requires one parameter 'address' and returns the read data value. Note that the address parameter is not relevant during CSI Status Register read cycles.

```

// Declarations
HIGH_ADDR_REG = 0x7FB0;           // 16-bit High Addr. register MMCR Address.
LOW_ADDR_REG = 0x7FB1;           // 16-bit Low Addr. register MMCR Address.
DATA_REG = 0x7FB2;               // 16-bit Data register MMCR Address.

// Executable Code
int CSIREAD(int address)
{
    // Load Address Registers First.
    outportb(HIGH_ADDR_REG,       // Load High Address Register.
              ((address >> 8) & 0xFF));
    outportb(LOW_ADDR_REG, (address & 0xFF)); // Load Low Address Register.
    return (inportb(DATA_REG));           // Read and Return Data Register Value.
};

```

FIGURE 27 - CSIREAD COMMAND FUNCTION

12.6.1.3 NO_ERRORS_&_BUSY Function

The NO_ERRORS_&_BUSY function (FIGURE 28) is used in a 'while' loop in FIGURE 29 and FIGURE 30 to check the CSI status register during byte program and page erase operations.

Note: The NO_ERRORS_&_BUSY function can only be used when the CSI Host interface is in the Read Status (Idle) state (see section 12.3.7.6 Read Status (Idle) Mode on page 162).

The NO_ERRORS_&_BUSY function requires one parameter 'errors' and returns TRUE when there are no errors and the BUSY bit is asserted or FALSE when errors have occurred or the BUSY bit is deasserted. The 'errors' parameter is an integer pointer for the CSI Status register error flags.

```

// Declarations
ERROR_MASK = 0x0070;           // CSI Status Reg. Error Bits Mask.
BUSY_MASK = 0x0080;           // CSI Status Reg. Busy Bit Mask.

// Executable Code
boolean NO_ERRORS_&_BUSY (int *errors) // NOTE: Call only in CSI Idle (Read Status) State.
{
    int etmp;                   // Temp Value for CSI Status Register.
    etmp = CSIREAD(0x0000);     // Get CSI Status Register (Address = Don't Care).
    IF (*errors = (etmp & ERROR_MASK)) // First Check for Errors.
        return (FALSE);       // Stop Loop Because of Error Flags.
    ELSE IF (etmp & BUSY_MASK) // Look at Busy Bit.
        return (TRUE);        // Continue Loop Because Busy Bit Asserted.
    ELSE return (FALSE);       // Stop Loop Because Busy Bit Deasserted and No Errors.
};

```

FIGURE 28 - NO_ERRORS_&_BUSY FUNCTION

12.6.2 BYTE PROGRAMMING EXAMPLE

Byte programming requires three basic steps: 1) activate the CSI Host Interface with the Program Byte command code, 2) send the program address and data arguments to the CSI address & data latches, and 3) monitor the completion status and check for errors.

The byte programming example pseudo-code is shown below in FIGURE 29. A return to the Read Array mode is also shown in FIGURE 29 to verify the Program Byte operation.

```

// Declarations
DONE = FALSE;                 // Programming Loop Control Variable
WRITE_ADDRESS = 00F0;         // Program Byte Address Argument Value
WRITE_DATA = 0xA0;            // Program Byte Data Argument Value
PROGRAM_BYTE_CMD = 0x80;      // CSI Program Byte Command Code Value
READ_ARRAY_CMD = 0xFF;        // CSI Read Array Command Code Value
CLEAR_STATUS_CMD = 0xA0;      // CSI Clear Status Command Code Value
ERRORS = 0x00;                // Variable for Status Register Errors

// Executable Code
WHILE (NOT DONE)
{
    CSIWRITE(0x0000, PROGRAM_BYTE_CMD); // Send Program Byte Command Code (Address = Don't Care).
    CSIWRITE(WRITE_ADDRESS, WRITE_DATA); // Send Program Byte Argument.
    WHILE (NO_ERRORS_&_BUSY(&ERRORS)); // Loop Until Errors Occur or BUSY Bit Deasserted.
    IF (ERRORS) // Take Remedial Steps.
    {
        FIX_ERRORS(ERRORS); // Correct Problems (e.g. Protect or Setup Errors).
        CSIWRITE(0x0000, CLEAR_STATUS_CMD); // Clear Status Register (Address = Don't Care).
    } // Try Again.
    ELSE // Restore Read Array Mode To Verify Byte Programming.
    {
        CSIWRITE(0x0000, READ_ARRAY_CMD);
        IF (CSIREAD(WRITE_ADDRESS) = WRITE_DATA) // If Not Verified, Try Again.
            DONE = TRUE;
    }
}

```

FIGURE 29 - PROGRAM BYTE EXAMPLE PSEUDO-CODE

12.6.3 MASS ERASE EXAMPLE

Mass Erase requires two basic steps: 1) activate the CSI Host Interface with the Mass Erase command code and 2) monitor the completion status and check for errors. The Mass Erase example pseudo-code is shown in FIGURE 30. A return to the Read Array mode is also shown in FIGURE 30.

```
// Declarations
DONE = FALSE; // Programming Loop Control Variable
MASS_ERASE_CMD = 0x20; // CSI Mass Erase Command Code Value
READ_ARRAY_CMD = 0xFF; // CSI Read Array Command Code Value
CLEAR_STATUS_CMD = 0xA0; // CSI Clear Status Command Code Value
ERRORS = 0x00; // Variable for Status Register Errors

// Executable Code
WHILE (NOT DONE)
{
    CSIWRITE(0x0000, MASS_ERASE_CMD); // Send Mass Erase Command Code (Address = Don't Care).
    // No Argument Cycle Required.
    WHILE (NO_ERRORS_&_BUSY(&ERRORS)); // Loop Until Errors Occur or BUSY Bit Deasserted.
    IF (ERRORS) // Take Remedial Steps
    {
        FIX_ERRORS(ERRORS); // Correct Problems (e.g. Protect Error).
        CSIWRITE(0x0000, CLEAR_STATUS_CMD); // Clear Status Register (Address = Don't Care).
    } // Try Again.
    ELSE // Restore Read Array Mode
    {
        CSIWRITE(0x0000, READ_ARRAY_CMD); // Address = Don't Care.
        DONE = TRUE;
    }
}
```

FIGURE 30 - MASS ERASE EXAMPLE PSEUDO-CODE

13 FLASH PROGRAMMING INTERFACE

13.1 OVERVIEW

The Kahuna 8051 has read and write access to the embedded Flash ROM in a single contiguous 64k-byte page (**FIGURE 43**). The Kahuna 64k Embedded Flash can be programmed by the 8051, an external ATE Program interface and by the LPC Host. During normal operations the Flash is dedicated as the 8051 Code space, the 8051 only has read access to the Flash, and the internal 8051 memory ROM bus is not accessible. The Keyboard Controller Bus Monitor (KCBM) function, which is controlled by the PGM and nEA pins, permits monitoring of the internal 8051 memory ROM bus using the KBD Scan interface pins. When the KCBM is enabled, reads from the 8051 code space and reads and writes from the 8051 data space are visible on the KCBM interface pins. (see section 13.8, KEYBOARD CONTROLLER BUS MONITOR INTERFACE).

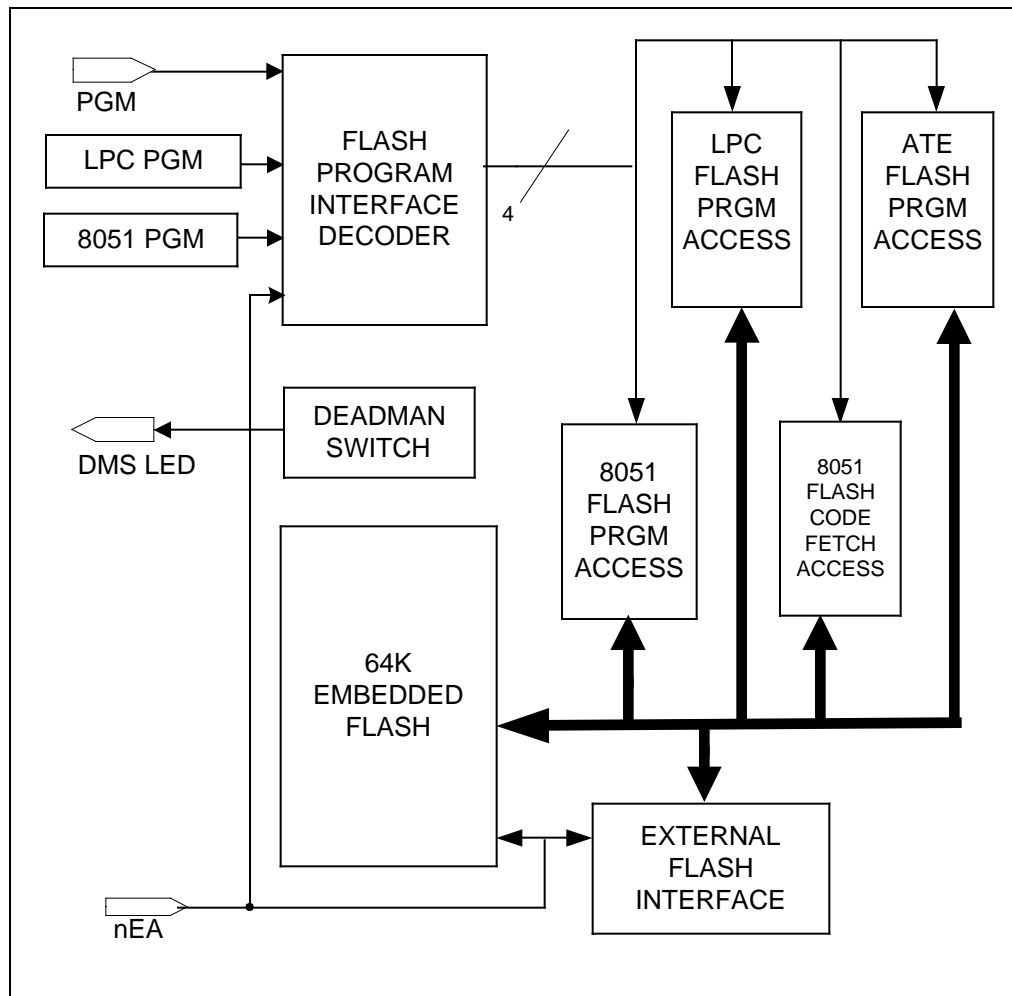


FIGURE 31 - FLASH SYSTEM INTERFACE

Note: This figure is for illustration purposes only and is not intended to suggest specific implementation details.

13.2 FLASH PROGRAM INTERFACE DECODER

The Flash Program Interface Decoder controls access to the Kahuna 64k Embedded Flash.

The Flash configurations described below depend upon the state of the PGM and nEA pins and the LPC PGM and 8051 PGM bits in the Flash Program register. The ATE PGM and EXT FLASH bits in the Flash Program register reflect the state of the the PGM and nEA pins. When the PGM and nEA pins are asserted, the Flash Program Interface Decoder enters the KCBM Interface state (see Table 152, items# 6, 7 and 8). The PGM and nEA pins control both the function enable and the pin multiplexing for the KCBM Interface. Table 152 below provides the truth table for the Flash Program Interface Decoder. See section 13.10 for a description of the Flash Program register.

Table 152 - Flash Program Interface Decoder Truth Table

	FLASH PROGRAM REGISTER				MODE	DESCRIPTION
	EXT FLASH (D3) (Note 1)	ATE PGM (D2) (Note 2)	LPC PGM (D1)	8051 PGM (D0)		
1.	0	0	0	0	8051 CODE FETCH ACCESS	The Flash is dedicated as the 8051 Code space. The 8051 only has read access to the Flash in this mode.
2.	0	0	1	0	LPC PROGRAM ACCESS	The Flash is dedicated to the LPC Host programming interface.
3.	0	0	X	1	8051 PROGRAM ACCESS	The Flash is dedicated to the 8051 programming interface. When this mode is selected, the LPC Host programming interface cannot be enabled; i.e., the LPC PGM bit is irrelevant. The 8051 must only execute program code from the 256-byte Internal Scratch ROM.
4.	0	1	0	0	ATE PROGRAM ACCESS	The Flash is dedicated to the ATE programming interface. When this mode is selected, both the LPC Host programming interface and the 8051 programming interface are disabled; i.e., the LPC PGM and the 8051 PGM bits are reset to '0'
5.	1	0	X	X	EXTERNAL FLASH	The 8051 is running out of external Flash. When this mode is selected, the ATE, LPC Host and 8051 programming interfaces cannot be enabled
6.	1	1	0	0	KCBM - 8051 CODE FETCH ACCESS	The KCBM function is enabled and the Flash is dedicated as the 8051 Code space. The 8051 only has read access to the Flash in this mode. The KCBM interface monitors activity on the internal 8051 ROM bus.
7.	1	1	X	1	KCBM - 8051 PROGRAM ACCESS	The KCBM function is enabled and the Flash is dedicated to the 8051 programming interface. The 8051 executes program code from the 256-byte Internal Scratch ROM. The KCBM interface monitors access to the Internal Scratch ROM (8051 ROM bus).

	FLASH PROGRAM REGISTER				MODE	DESCRIPTION
	EXT FLASH (D3) (Note 1)	ATE PGM (D2) (Note 2)	LPC PGM (D1)	8051 PGM (D0)		
8.	1	1	1	0	KCBM - LPC PROGRAM ACCESS	The KCBM function is enabled and the the Flash is dedicated to the LPC programming interface. The 8051 is held in reset during all LPC Flash Program Access operations. The state of the KCBM interface is undefined in this mode.

Note 1: the EXT FLASH bit D3 in the Flash Program register is the inverse of the nEA pin.

Note 2: the ATE PGM bit D2 in the Flash Program register is the PGM pin.

13.3 8051 CODE FETCH ACCESS

The 8051 Code Fetch Access function uses the 64k Embedded Flash as the 8051 program memory space (FIGURE 32). The 8051 Code Fetch Access function is enabled when bits D3 – D0 in the Flash Program register are '0' (see Table 152 and section 13.10 Flash Program Register).

Note: When the 8051 Code Fetch Access function is selected and the MMC bit is '1', the 8051 can execute from the 64k Embedded Flash and from the Internal Scratch ROM (see section 13.11 Internal Scratch ROM on page 183).

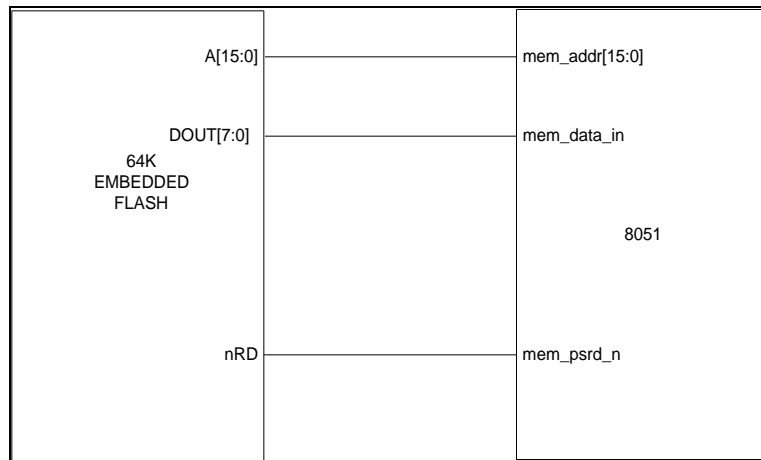


FIGURE 32 - 8051 CODE FETCH ACCESS INTERFACE

Note: This figure is for illustration purposes only and is not intended to suggest specific implementation details.

13.4 8051 FLASH PROGRAM ACCESS

The 8051 Flash Program Access function enables the 64k Embedded Flash to be programmed from an internal parallel hardware interface using 8051 memory-mapped control registers (see section 13.11 8051/LPC Flash Program Access Registers on page 183 and FIGURE 33). The 8051 PGM bit D0 in the Flash Program register is used to enable the 8051 Program Access function (see section 13.10.6 8051 PGM – D0).

APPLICATION NOTE: The 8051 must only execute program code from the 256-byte Internal Scratch ROM to use the 8051 Flash Program Access function (see section 13.11 Internal Scratch ROM on page 183). When Flash programming operations are completed, the 8051 must return the Embedded Flash to the READ ARRAY state (Table 143) before returning to the 8051 Code Fetch Access mode (Table 152). The 8051 must return the Embedded Flash to Read-Array mode when programming has been completed before jumping out of the Internal Scratch ROM code space.

To program the 64k Embedded Flash using the 8051 Flash Program Access function, first use the HIGH ADDRESS (0x7FB0) and LOW ADDRESS (0x7FB1) registers for program and page address arguments and then the DATA register (0x7FB2) for program data, read data, command codes and status data.

Note: Address arguments for Program Byte and Page Erase operations must be initialized in the 8051 Flash Program Access address registers before read and write commands to the CSI Host Interface are activated by reads and writes to the 8051 Flash Program Access DATA register (0x7FB2).

For information regarding the programming sequence for the Kahuna 64k Embedded Flash see section 12.3 Command Sequence Interface starting on page 153.

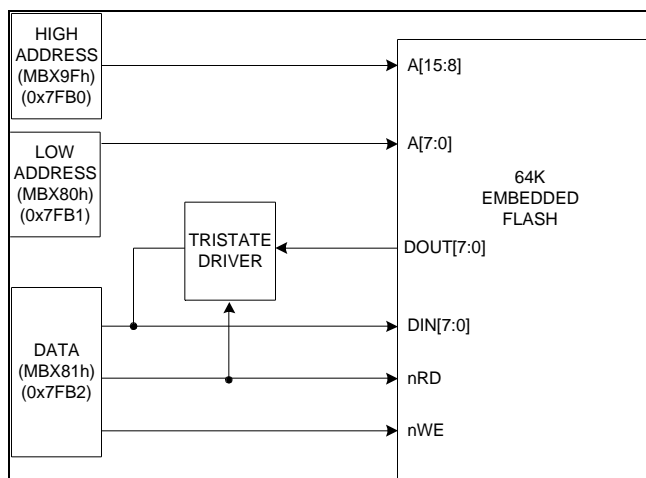


FIGURE 33 – 8051/LPC FLASH PROGRAM ACCESS

Note: This figure is for illustration purposes only and is not intended to suggest specific implementation details.

13.5 LPC BUS FLASH PROGRAM ACCESS

The LPC Flash Program Access function enables the 64k Embedded Flash to be programmed from an internal parallel hardware interface (see FIGURE 33 above.) The LPC Flash Program Access function uses the registers in the Mailbox Registers Interface (see section 13.11 8051/LPC Flash Program Access Registers on page 183). The LPC PGM bit D1 in the Flash Program register is used to enable the LPC Program Access function (see section 13.10.5 LPC PGM – D1, below). The LPC Flash Program Access function can only be enabled when the ATE PGM and the 8051 PGM bits are deasserted '0' (Table 152), and the SYSTEM FLASH bit in the Disable register is deasserted '0' (See Section 11.8.3.1, Disable Register on page 132.)

APPLICATION NOTE: The 8051 must be stopped to use the LPC Bus Flash Program Access function. When Flash programming operations are completed, the LPC Host must return the Embedded Flash to the READ ARRAY state (Table 143) before returning to the 8051 Code Fetch Access mode (Table 152) and restarting the 8051 clock.

To program the 64k Embedded Flash using the LPC Bus Flash Program Access function, first use the Flash High Address (MBX9Fh) and Flash Low Address (MBX80h) registers for program and page address arguments and then the Flash Data register (MBX81h) for program data, read data, command codes and status data.

Note: Address arguments for Program Byte and Page Erase operations must be initialized in the LPC Flash Program Access address registers before read and write commands to the CSI Host Interface are activated by reads and writes to the LPC Flash Program Access DATA register (MBX81h).

For information regarding the programming sequence for the Kahuna 64k Embedded Flash see section 12.3 Command Sequence Interface starting on page 153.

13.6 ATE FLASH PROGRAM ACCESS

13.6.1 OVERVIEW

The ATE Flash Program Access function enables the 64k Embedded Flash to be programmed from an external parallel hardware interface using the KBD Scan interface in the Kahuna pin configuration. The Flash Program Interface Decoder enables the ATE Flash Program Access function (Table 152, item #4).

A block diagram of the ATE Flash Program Access Interface is shown below in FIGURE 34. The ATE Flash Program Access pin mapping to the KBD Scan interface pins is shown in Table 153. For information regarding the programming sequence for the Kahuna 64k Embedded Flash see section 12.3 Command Sequence Interface starting on page 153.

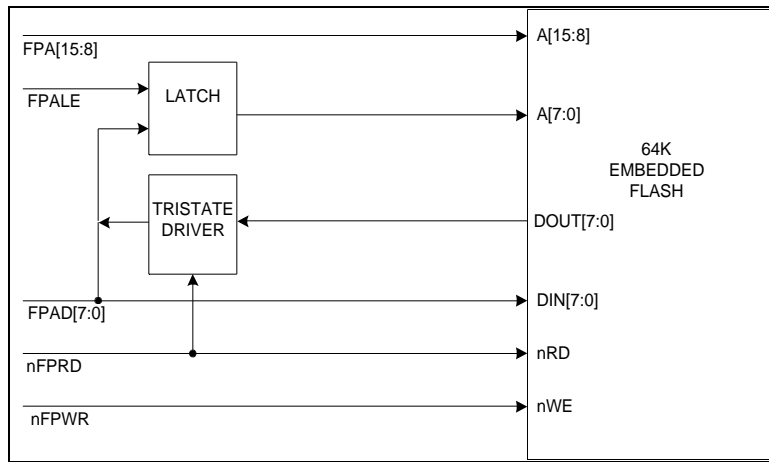


FIGURE 34 - ATE FLASH PROGRAM ACCESS INTERFACE

Note: This figure is for illustration purposes only and is not intended to suggest specific implementation details.

Table 153 - ATE Flash Program Access Interface KBD Scan Pin Mapping

	KBD SCAN INTERFACE PINS	ATE FLASH PROG ACCESS INTERFACE	DESCRIPTION
1.	KSO0	FPA15	High-Order Address Bus A15 – A8.
2.	KSO1	FPA14	
3.	KSO2	FPA13	
4.	KSO3	FPA12	
5.	KSO4	FPA11	
6.	KSO5	FPA10	
7.	KSO6	FPA9	
8.	KSO7	FPA8	
9.	KSO8	FPAD7	Multiplexed Low-Order Address Bus A7 – A0 and Data Bus D0 – D7. The Low-Order Address Bus is Latched with FPALE.
10.	KSO9	FPAD6	
11.	KSO10	FPAD5	
12.	KSO11	FPAD4	
13.	KSI0	FPAD3	
14.	KSI1	FPAD2	
15.	KSI2	FPAD1	
16.	KSI3	FPAD0	
17.	KSI4	FPALE	Low-Order Address Bus Latch Control
18.	KSI5	nFPRD	Active-Low ATE Flash Program Access Interface READ Signal.
19.	KSI6	nFPWR	Active-Low ATE Flash Program Access Interface WRITE Signal.

Note: All ATE Flash Program Access Interface signals in Table 153 refer to FIGURE 34.

All KBD SCAN Interface pins refer to the Kahuna pin configuration.

13.6.2 ATE FLASH PROGRAM TIMING

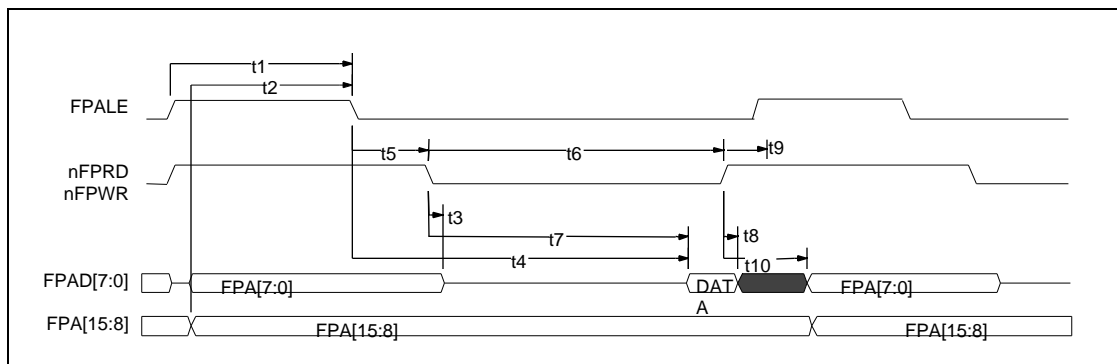


FIGURE 35 – ATE FLASH PROGRAM ACCESS INTERFACE TIMING

Table 154 - ATE Flash Program Access Interface Write Timing Parameters

PARAMETER	MIN	TYP	MAX	UNITS	OUR TEST VALUE
t1		50		ns	50ns
t2		50		ns	50ns
t4		10	TBD	ns	10 ns
t5		5		ns	5 ns
t6		50		ns	50 us
t7		5		ns	5 ns
t8		10		ns	10 ns
t9		0		ns	0 ns

Table 155 - ATE Flash Program Access Interface Read Timing Parameters

PARAMETER	MIN	TYP	MAX	UNITS
t1		50		ns
t2		50		ns
t3			0	ns
t4		10	TBD	ns
t5		5		ns
t6		50		ns
t7		5		ns
t8		10		ns
t9			0	
t10			0	ns

Note: The values in Table 154 and Table 155 come from SMSC ATE testing and shall be updated when characterization is complete.

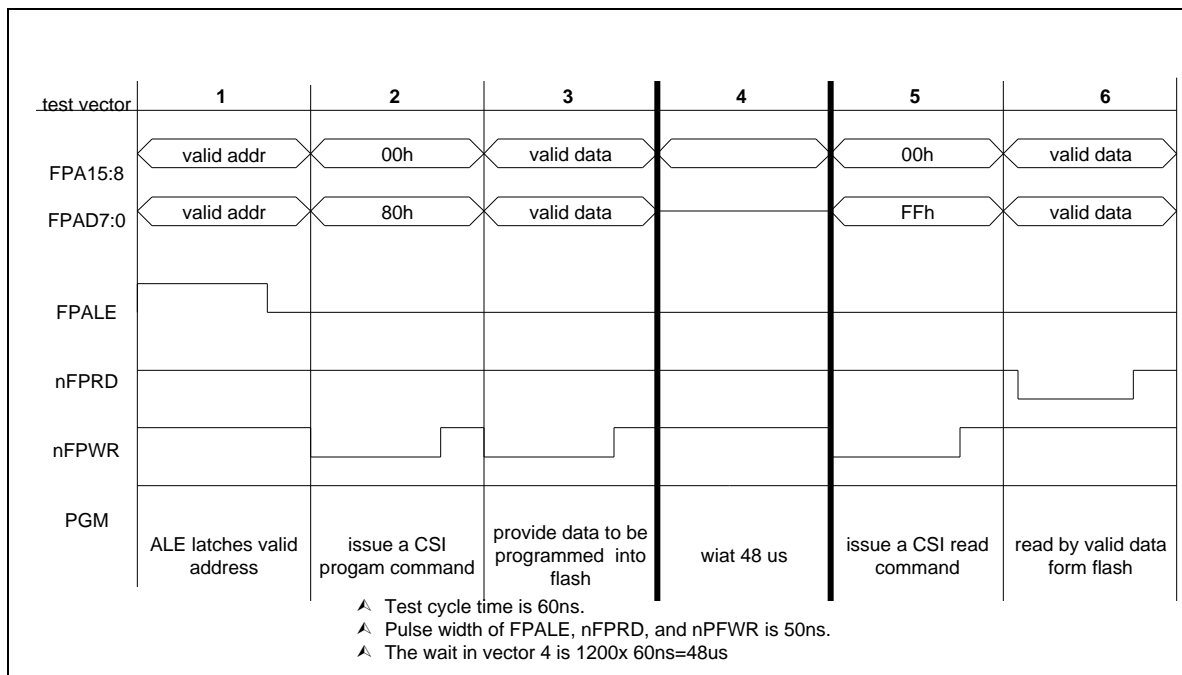


FIGURE 36 – KAHUNA ATE FLASH PROGRAM INTERFACE TIMING

APPLICATION NOTE: An effort should be made to prevent software from asserting the nRESET input while the BUSY bit is asserted to avoid programming errors or incomplete erase cycles (see section 12.3.6 Status Register on page 156).

13.6.3 PGM PIN

The PGM pin enables the ATE Flash Program access function. When the PGM pin is the exclusively asserted input to the Flash Program Interface Decoder (Table 152, item #4) the 64k Embedded Flash interface is directly connected to the ATE Flash Program Access interface, the KBD Scan interface pin multiplexing is configured to support ATE Flash Program Access, the 8051 is stopped (reset), and all Flash write-protect functions are disabled (see section 12.5 8051 Flash Boot Block Protect Controls on page 164).

To stop the 8051, when the PGM pin is asserted ('1') the rst_in_n input to the 8051 is asserted ('0'). When the PGM pin is de-asserted, the 64k Embedded Flash interface is re-connected to the 8051, the Embedded Flash is reset to READ ARRAY mode, the rst_in_n input to the 8051 is deasserted and the Flash write-protect function is re-enabled.

13.7 EXTERNAL FLASH INTERFACE

The External Flash Interface function enables the 8051 program memory to reside in an external ROM device using the KBD Scan Interface in the Kahuna pin configuration. A block diagram of the External Flash Interface is shown below in FIGURE 37. The External Flash Interface pin mapping to the KBD Scan interface pins is shown in Table 156. The Flash Program Interface Decoder enables the External Flash Interface function (Table 152, item #5). When the nEA pin is asserted the 8051 program memory is disconnected from 64k Embedded Flash interface and connected to the External Flash Interface, the KBD Scan interface pin multiplexing is configured to support the External Flash Interface, and the 64k Embedded Flash is placed in a Reset state (see section 0 on page 154.)

Note: The Kahuna External Flash Interface only supports 8051 ROM read cycles (FIGURE 38 and Table 157). The External Flash Interface is compatible with flash devices like the Intel 28F004.

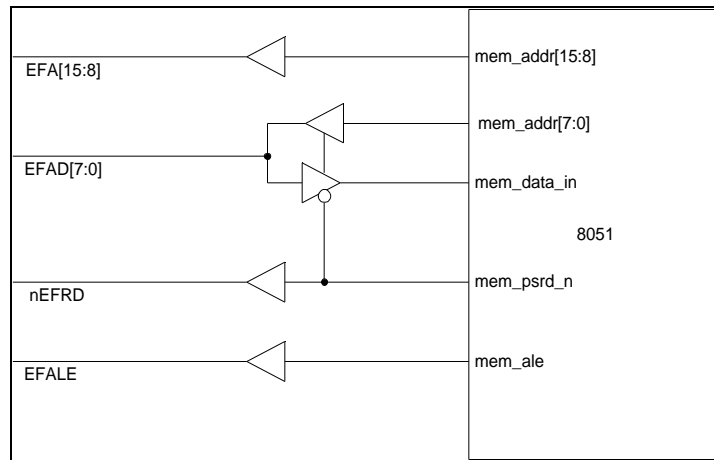


FIGURE 37 - KAHUNA EXTERNAL FLASH INTERFACE

Note: This figure is for illustration purposes only and is not intended to suggest specific implementation details.

Table 156 – External Flash Interface KBD Scan Pin Mapping

	KBD SCAN PINS	EXTERNAL FLASH INTERFACE	DESCRIPTION
1.	KSO0	EFA15	High-Order Address Bus A15 – A8.
2.	KSO1	EFA14	
3.	KSO2	EFA13	
4.	KSO3	EFA12	
5.	KSO4	EFA11	
6.	KSO5	EFA10	
7.	KSO6	EFA9	
8.	KSO7	EFA8	
9.	KSO8	EFAD7	Multiplexed Low-Order Address Bus A7 - A0 and Data Bus D0 – D7. The Low-Order Address Bus is Latched Externally with EFALE.
10.	KSO9	EFAD6	
11.	KSO10	EFAD5	
12.	KSO11	EFAD4	
13.	KSI0	EFAD3	
14.	KSI1	EFAD2	
15.	KSI2	EFAD1	
16.	KSI3	EFAD0	
17.	KSI4	EFALE	Low-Order Address Bus Latch Control
18.	KSI5	nEFRD	Active-Low External Flash Interface READ Signal.

Note: All External Flash Interface signals in Table 156 refer to FIGURE 37. All KDB SCAN Interface pins refer to the Kahuna pin configuration.

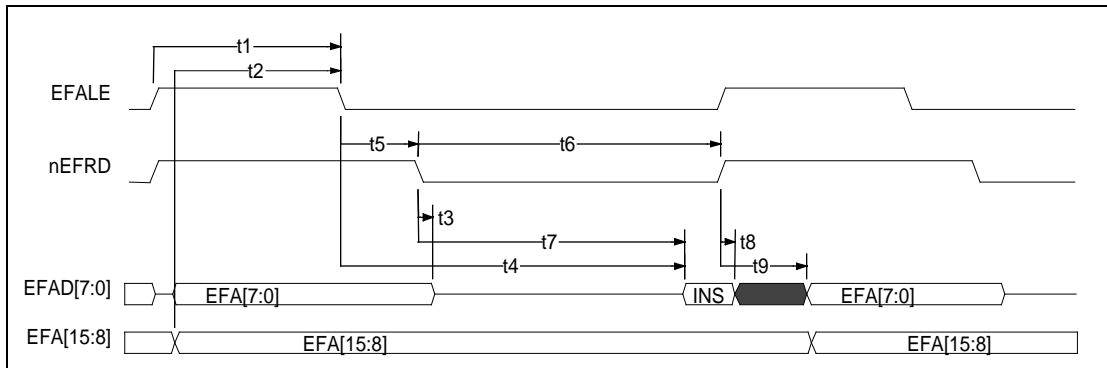


FIGURE 38 - EXTERNAL FLASH INTERFACE TIMING DIAGRAM

Table 157 - External Flash Interface Timing Values

	PARAMETER	MIN	TYP	MAX	UNITS
t1	EFALE Pulse Width	TBD			ns
t2	Address Valid to EFALE Low	TBD			ns
t3	nEFRD Low to Address Float			TBD	ns
t4	EFALE Low to Valid Instruction In			TBD	ns
t5	EFALE Low to nEFRD Low	TBD			ns
t6	nEFRD Pulse Width	TBD			ns
t7	nEFRD Low to Valid Instruction In	TBD			ns
t8	Valid Instruction Hold Time Following nEFRD Low-To-High Transition	TBD			ns
t9	Instruction Float Following nEFRD Low-To-High Transition			TBD	ns

Note: The values in Table 157 shall be updated when characterization is complete. Our evaluation board design utilizes an AM29F002NBT-120 (120 ns) flash and 8051 clock frequency of 12 MHz

13.8 KEYBOARD CONTROLLER BUS MONITOR INTERFACE

The Keyboard Controller Bus Monitor (KCBM) functions provide monitoring for the internal 8051 memory ROM bus using the KBD Scan interface pins. When the KCBM is enabled, reads from the 8051 code space are visible on the KCBM interface pins. The three KCBM provides external access modes corresponding to 8051 CODE FETCH ACCESS, LPC PROGRAM ACCESS, 8051 PROGRAM ACCESS (Table 152, items #6, 7 and 8)

When the PGM and nEA pins are asserted the KCBM interface is enabled and all the pins shown in Table 158 are outputs.

Note: The 8051 will be reset when exiting KCBM mode if the PGM pin is asserted while the nEA pin is deasserted.

Table 158 – KCBM Access Interfaces Mapped To KBD Scan Pin

	KBD SCAN INTERFACE PINS	KCBM INTERFACE	KCBM INTERFACE DESCRIPTION
20.	KSO0	KCA15	Keyboard Controller High-Order Address Bus A15 – A8.
21.	KSO1	KCA14	
22.	KSO2	KCA13	
23.	KSO3	KCA12	
24.	KSO4	KCA11	
25.	KSO5	KCA10	
26.	KSO6	KCA9	
27.	KSO7	KCA8	

	KBD SCAN INTERFACE PINS	KCBM INTERFACE	KCBM INTERFACE DESCRIPTION
28.	KSO8	KCAD7	Keyboard Controller Multiplexed Low-Order Address Bus A7 – A0 and Data Bus D0 – D7. The contents of this bus are indicated by the KCDSTB pin.
29.	KSO9	KCAD6	
30.	KSO10	KCAD5	
31.	KSO11	KCAD4	
32.	KSI0	KCAD3	
33.	KSI1	KCAD2	
34.	KSI2	KCAD1	
35.	KSI3	KCAD0	
36.	KSI4	KCCLK	Keyboard Controller (8051) Clock Output.
37.	KSI5	KCDSTB	Keyboard Controller Data Strobe: asserted ('1') when the KCAD[7:0] pins contain program memory code data and deasserted ('0') when the KCAD[7:0] pins contain program memory address data.

Note: All KDB SCAN Interface pins refer to the Kahuna pin configuration.

When the KCBM mode is enabled the KCA[15:8] pins contain the high-order Flash address bits and the KCAD[7:0] pins alternately contain the low-order Flash address bits and the Flash data bits. The Keyboard Controller Data Strobe (KCDSTB) determines the contents of the KCAD[7:0] pins. When the KCDSTB pin is deasserted ('0') the KCAD[7:0] pins contain the low-order Flash address, when KCDSTB is asserted ('1') the KCAD[7:0] pins contain the Flash data.

The Keyboard Controller Clock pin (KCCLK) contains the 8051 clock. Transitions on the KCA, KCAD, and KCDSTB pins occur following the rising edge of KCCLK. The Flash address and data values are stable before the subsequent rising edge of KCCLK.

Timing for the KCBM Interface is shown below in FIGURE 39 and Table 159.

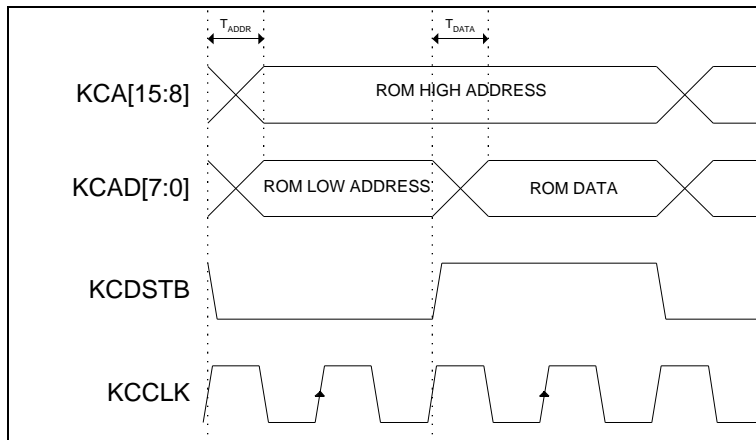


FIGURE 39 - KCBM INTERFACE TIMING DIAGRAM

Table 159 - KCBM Interface Timing Values

	PARAMETER	MAX	UNITS
T_{ADDR}	KCCLK High to Address Valid (KCDSTB Low)	<30	ns
T_{DATA}	KCCLK High to Data Valid (KCDSTB High)	<30	ns

13.9 DEADMAN SWITCH

13.9.1 OVERVIEW

The Deadman Switch (DMS) is used to identify 8051 boot sequences where the Kahuna 2k boot block is unprogrammed or corrupted. The DMS is initialized when the 8051 is reset, for example following VCC1 POR or when the PGM pin is asserted, and begins counting as soon as the 8051 begins instruction execution. If the 8051 boot code does not disable the DMS counter using the DMS_DISABLE bit within 62.5ms, the DMS LED begins flashing.

Note 53: After replacing the RTC battery (coin cell), the DMS Counter may take more than 62.5ms complete count during the first power up sequence. The DMS Counter will complete count in 62.5ms during all subsequent power up sequences.

FIGURE 40 illustrates a boot sequence where the Flash is unprogrammed or corrupted.

1. Apply VCC1
2. Unprogrammed Flash Causes Deadman Switch Overflow
3. DMS LED Flashes
4. ATE Flash Program Access Interface Initializes 8051 Boot Block/Program Code (DMS LED Stops Flashing)
5. 8051 Boot Block Execution Begins

FIGURE 40 – EXAMPLE BOOT SEQUENCE FOR UNPROGRAMMED OR CORRUPTED BOOT BLOCK

13.9.2 DMS OPERATION

The DMS consists of a counter with a carry output, clock input, clear input and a count control input; a 32.768kHz RTC timebase input; an nDMS_LED output pin; and count/clear control logic (FIGURE 41). The DMS counter is an 11-bit binary counter. When the counter is cleared, using the 32.768kHz RTC timebase the DMS counter carry output will be asserted 62.5ms after counting begins. When the carry output is asserted, the counter clock is stopped, the DMS_OVERFLOW bit is asserted and the DMS LED begins flashing. For a description of the nDMS_LED output pin (not shown in FIGURE 38) see section 13.8.3 nDMS_LED Pin.

There are four basic DMS operating states as shown in Table 160: Initialize, Counting, Overflow, Disabled. The DMS can also be enabled for test purposes (see section 13.8.4.2 DMS_TEST Bit – D1).

In normal operation, the DMS Initialize state occurs as a result of VCC1 POR. The Initialize state can also occur when the PGM pin is asserted (see section 13.6 ATE Flash Program Access on page 172) or when the DMS_TEST bit is asserted (see section 13.9.4 DMS Register). In normal operation, the DMS Counting state begins when the 8051 begins executing program code. The DMS Counting state also occurs during DMS testing. The DMS Counting state can be terminated by the DMS_DISABLE bit, the DMS Counter carry output, 8051_RESET or the DMS_TEST bit.

The DMS Overflow state occurs when the DMS Counter carry output is asserted. The DMS Overflow state occurs when the 8051 boot block is unprogrammed or corrupted, or during DMS testing. In normal operation, the DMS Disable state occurs when the 8051 asserts the DMS_DISABLE bit. Typically, the DMS Disable state persists until the next VCC1 POR or until DMS testing begins.

Note: In normal operation, the 8051 boot code must assert the DMS_DISABLE bit before within 62.5ms to prevent the DMS Overflow state from asserting the DMS LED indicator.

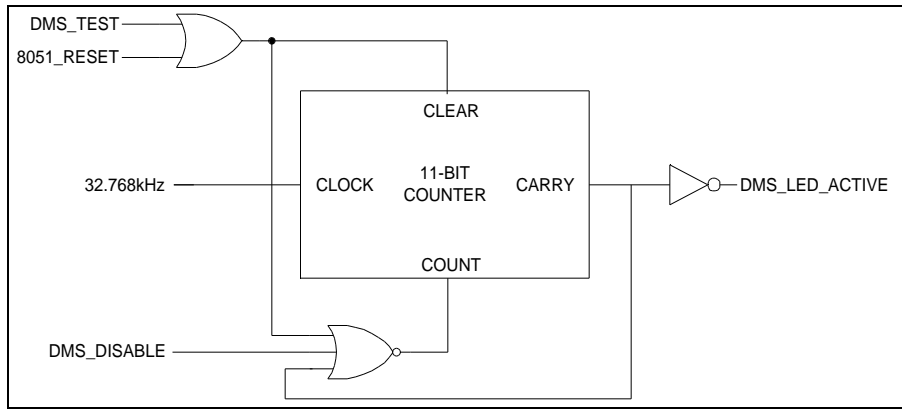


FIGURE 41 - DEADMAN SWITCH BLOCK DIAGRAM

Note: This figure is for illustration purposes only and is not intended to suggest specific implementation details.

Table 160 - DMS Truth Table

DMS CONTROLS				DMS STATE	DESCRIPTION
8051_RESET OR DMS_TEST	DMS_DISABLE	CARRY			
1.	1	0	0	INITIALIZE	The 8051_RESET is asserted because of VCC1 POR or the PGM pin, or the DMS is in test mode. The DMS counter is cleared, the DMS LED is not flashing, and the DMS counter is stopped.
2.	0	0	0	COUNTING	DMS is counting. In normal operation, the 8051 must set the DMS_DISABLE bit before the DMS counter overflows and activates the DMS LED.
3.	0	0	1	OVERFLOW	The 8051 has not disabled the DMS in time to prevent the DMS LED from flashing. The Flash is probably unprogrammed or corrupted, or the DMS LED is being tested. The DMS LED is activated and the DMS_OVERFLOW bit is asserted.
4.	X	1	0	DISABLED	The 8051 has disabled the DMS in time to prevent the DMS LED from flashing. The Flash 2k boot block is intact. The DMS counter is permanently disabled (stopped) until the next VCC1 POR, or the DMS_DISABLE bit is deasserted for testing.

13.9.3 nDMS_LED PIN

In normal operation, the DMS Overflow state (Table 160) causes the Kahuna DMS LED pin to blink (FIGURE 42). When the nDMS_LED pin is '0', the LED is 'on'; when the nDMS_LED pin is '1', the LED is 'off'. When the DMS LED is blinking, the LED on-time T is 125msec. The DMS LED blinking period P is 1 second. Once the DMS LED starts blinking, only an 8051 RESET or the DMS_TEST bit can turn the DMS LED off.

Note: The DMS LED can be forced to blink after 62.5ms using the DMS_TEST and DMS_DISABLE bits (see section 13.9.4 DMS Register).

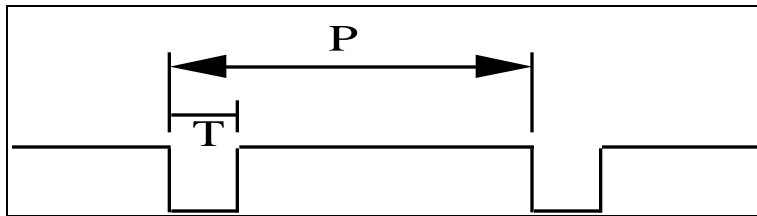


FIGURE 42 – DMS_LED OUTPUT

13.9.4 DMS REGISTER

The DMS register contains control and status bits for the Kahuna Deadman Switch function (Table 161). The DMS register is available only to the 8051 at MMCR address 0x7F86 and is cleared by VCC1 POR.

Table 161 - DMS Register

HOST ADDRESS	N/A
8051 ADDRESS	0x7F86
POWER	VCC1
DEFAULT	0x00

	D7	D6	D5	D4	D3	D2	D1	D0
HOST TYPE	-	-	-	-	-	-	-	-
8051 TYPE	R	R	R	R	R	R/WC	R/W	R/W
BIT NAME	RESERVED					DMS_OVERFLOW	DMS_TEST	DMS_DISABLE

13.9.4.1 DMS_OVERFLOW Bit – D2

The DMS_OVERFLOW bit indicates that the DMS overflow state has occurred (see Item #3 in Table 160, above). The DMS_OVERFLOW bit is the Carry output of the DMS counter (not shown in FIGURE 41).

When the DMS_OVERFLOW bit is deasserted '0' (default), the DMS overflow state has not occurred or has been cleared. When the DMS_OVERFLOW bit is asserted '1', the DMS overflow state has occurred. The DMS_OVERFLOW bit is R/WC. To deassert the DMS_OVERFLOW bit, write a '1' to bit D2. The DMS_OVERFLOW bit is also deasserted by VCC1 POR. The DMS_OVERFLOW bit can inform the 8051 that an unprogrammed or corrupted Flash Boot Block has been restored without a VCC1 POR.

13.9.4.2 DMS_TEST Bit – D1

The DMS_TEST bit along with the DMS_DISABLE bit (D0) can be used to exercise the DMS counter and the nDMS_LED output pin for test purposes because in a properly functioning Kahuna system the DMS_LED output will never be asserted.

When the DMS_TEST bit is deasserted '0' (default), the DMS test function is disabled. When the DMS_TEST bit is asserted '1', the DMS counter is cleared and disabled (FIGURE 41). The DMS_TEST bit is R/W and deasserted by VCC1 POR. To exercise the nDMS_LED output pin, follow the steps shown in Table 162.

Table 162 - Exercising nDMS_LED Output Pin

	PROCEDURE	DESCRIPTION
1.	Deassert the DMS_DISABLE bit.	During normal boot procedure the 8051 has asserted the DMS_DISABLE bit before the DMS overflow state has occurred. The DMS_TEST bit must remain deasserted.
2.	Wait for the DMS_OVERFLOW bit to be asserted.	When the DMS_DISABLE bit is deasserted, the DMS counter will resume until overflow. When the DMS_OVERFLOW bit is asserted the nDMS_LED output pin should begin pulsing as shown in FIGURE 42.

	PROCEDURE	DESCRIPTION
3.	Assert the DMS_DISABLE bit.	Permanently disable the DMS counter. Provide some means to signal the end of the nDMS_LED test.
4.	Assert the DMS_TEST bit.	When the nDMS_LED test is complete, the nDMS_LED output pin is permanently deasserted when the DMS_TEST bit is asserted.
5.	Deassert the DMS_OVERFLOW bit.	Remove indication that the DMS overflow state has been reached.

13.9.4.3 DMS_DISABLE Bit – D0

The DMS_DISABLE bit D0 is used to permanently stop the DMS counter (FIGURE 41). When the DMS_DISABLE bit is deasserted '0' (default), the DMS counter is enabled and will begin counting until the DMS overflow state is reached, assuming the DMS_TEST bit and the 8051_RESET signal are deasserted. When the DMS_DISABLE bit is asserted '1', the DMS counter is permanently disabled. The DMS_DISABLE bit can be used along with the DMS_TEST bit to exercise the nDMS_LED output pin (see section 13.8.4.2 DMS_TEST Bit – D1, above).

13.10 FLASH PROGRAM REGISTER

The Flash Program register contains the Flash Program Interface Decoder controls (see section 13.2) and the RESET FLASH control.

The Flash Program register is shown in Table 163. The Flash Program register is always available to the LPC Host and to the 8051.

Table 163 - Flash Program Register

HOST ADDRESS	MBX9Eh
8051 ADDRESS	0x7F35
POWER	VCC1
DEFAULT	'000XXX00'b

	D7	D6	D5	D4	D3	D2	D1	D0
HOST TYPE	R/W	R	R	R	R	R	R/W	R/W
8051 TYPE	R/W	R	R	R	R	R	R/W	R/W
BIT NAME	RESET FLASH	RESERVED		FWP PIN	EXT FLASH	ATE PGM	LPC PGM	8051 PGM

13.10.1 RESET FLASH – D7

The RESET FLASH bit can reset the internal 64k Embedded Flash ROM (see 12.3.3 Reset on page 154). When the RESET FLASH bit is asserted '1', the 64k Embedded Flash ROM is placed in a reset state. When the RESET FLASH bit is de-asserted '0' (default), the 64k Embedded Flash ROM is placed in Read Array mode.

Note: The RESET FLASH bit is not self-clearing.

APPLICATION NOTE: The lowest 8051 system power consumption state is achieved when the 8051 is stopped and the RESET FLASH bit is asserted. The RESET FLASH bit should only be asserted by the 8051 when the MMC bit is '1' and the 8051 is executing out of the Internal Scratch ROM (see section 13.11 Internal Scratch ROM on page 183).

13.10.2 FWP – D4

The FWP Pin bit reflects the status of the nFWP input pin. When nFWP is asserted ('0'), the boot block in the Kahuna Embedded 64K Flash ROM is write-protected and the FWP Pin bit is asserted '1'. When the nFWP pin is deasserted ('1'), the boot block is writeable and the FWP Pin bit is deasserted '0'.

Note: The EXT FLASH bit is read-only and not affected by VCC1 POR.

13.10.3 EXT FLASH – D3

The EXT FLASH bit in the Flash Program register indicates the state of the Kahuna nEA pin. When the nEA pin is asserted '0', the EXT FLASH bit is asserted '1', when the nEA pin is deasserted '1', the EXT FLASH bit is deasserted '0'. When the EXT FLASH bit is asserted ('1'), the Kahuna Flash programming interface is disabled (see Table 152).

13.10.4 ATE PGM – D2

The ATE PGM bit in the Flash Program register directly reflects the state of the Kahuna PGM pin. When the PGM pin is asserted, the ATE PGM bit is asserted, when the PGM pin is deasserted, the ATE PGM bit is deasserted. When the ATE PGM bit is asserted ('1'), the Kahuna Flash programming interface is dedicated to the ATE Flash Program Access function (see Table 152 and section 13.6 ATE Flash Program Access, above).

Note: The ATE PGM bit is read-only and not affected by VCC1 POR.

13.10.5 LPC PGM – D1

The LPC PGM bit in the Flash Program register is used to enable the LPC Flash Program Access function (see Table 152 and section 13.5 LPC Bus Flash Program Access, above). The LPC PGM bit can only be asserted when the ATE PGM and the 8051 PGM bits are deasserted '0' (Table 152), and the SYSTEM FLASH bit in the Disable register is deasserted. When the LPC PGM bit is asserted '1', the Kahuna 64k Embedded Flash is dedicated to the LPC Host programming interface. The LPC PGM bit is read/write and deasserted by VCC1 POR.

13.10.6 8051 PGM – D0

The 8051 PGM bit in the Flash Program register is used to enable the 8051 Program Access function (see Table 152 and section 13.3 8051 Code Fetch Access, above). The 8051 PGM bit can only be asserted when the ATE PGM bit is deasserted '0'; the 8051 PGM bit overrides the LPC PGM bit (Table 152).

When the 8051 PGM bit is asserted '1', the Kahuna 64k Embedded Flash is dedicated to the 8051 programming interface. The 8051 PGM bit is read/write and deasserted by VCC1 POR.

13.11 8051/LPC FLASH PROGRAM ACCESS REGISTERS

The 8051/LPC Flash Program Access registers are used by the 8051 and the LPC Host to program the Kahuna 64k Embedded Flash (see FIGURE 33 on page 172). To the 8051, the 8051/LPC Flash Program Access registers are accessed using memory-mapped control registers; to the LPC host, the 8051/LPC Flash Program Access registers are accessed using the Mailbox Registers Interface. For information regarding the 8051 and LPC Flash Program Access functions see section 13.4 8051 Flash Program Access on page 171 and section 13.5 LPC Bus Flash Program Access on page 172. The 8051 and LPC Flash Program Access functions are enabled by the Flash Program Interface Decoder (see section 13.2 Flash Program Interface Decoder).

When the 8051 is using the 8051/LPC Flash Program Access interface, LPC Host access is disabled. The LPC Host will be able to read the contents of the 8051/LPC Flash Program Access registers, but it will not be able to write these registers and reads to the Flash Data register will return the contents of the Flash Data register but will not read-activate the Flash CSI interface.

When the LPC Host is using the 8051/LPC Flash Program Access interface, 8051 access is disabled. Typically, when LPC Host is using the 8051/LPC Flash Program Access interface the 8051 is stopped.

Note: The LPC Host must stop the 8051 to use the 8051/LPC Flash Program Access interface.

13.11.1 FLASH HIGH ADDRESS REGISTER

The Flash High Address register contains Flash address bits A15 – A8 (**Table 164**). The LPC Host can access the Flash High Address register using the Mailbox Registers Interface address 0x9F. The 8051 can access the Flash High Address register using MMCR address 0x7FB0.

Note: To properly access the Kahuna 64k Embedded Flash, the Flash High Address and the Flash Low Address registers must be initialized before reading or writing the Flash Data register.

Table 164 - Flash High Address Register

HOST ADDRESS	MBX9Fh
8051 ADDRESS	0x7FB0
POWER	VCC1
DEFAULT	0x00

	D7	D6	D5	D4	D3	D2	D1	D0
HOST TYPE	R/W	R/W	R/W	R/W	R/W	R/W	R/W	R/W
8051 TYPE	R/W	R/W	R/W	R/W	R/W	R/W	R/W	R/W
BIT NAME	A15	A14	A13	A12	A11	A10	A9	A8

13.11.2 FLASH LOW ADDRESS REGISTER

The Flash Low Address register contains Flash address bits A7 – A0 (Table 165). The LPC Host can access the Flash Low Address register using the Mailbox Registers Interface address 0x80. The 8051 can access the Flash Low Address register using MMCR address 0x7FB1.

Note: To properly access the Kahuna 64k Embedded Flash, the Flash High Address and the Flash Low Address registers must be initialized before reading or writing the Flash Data register.

Table 165 - Flash Low Address Register

HOST ADDRESS	MBX80h
8051 ADDRESS	0x7FB1
POWER	VCC1
DEFAULT	0x00

	D7	D6	D5	D4	D3	D2	D1	D0
HOST TYPE	R/W	R/W	R/W	R/W	R/W	R/W	R/W	R/W
8051 TYPE	R/W	R/W	R/W	R/W	R/W	R/W	R/W	R/W
BIT NAME	A7	A6	A5	A4	A3	A2	A1	A0

13.11.3 FLASH DATA REGISTER

The Flash Data register contains either the Kahuna 64k Embedded Flash data, CSI command-codes, or the contents of the CSI Status register (Table 166). The LPC Host can access the Flash Data register using the Mailbox Register Interface address 0x81. The 8051 can access the Flash Data register using MMCR address 0x7FB2.

Note: To properly access the Kahuna 64k Embedded Flash, the Flash High Address and the Flash Low Address registers must be initialized before reading or writing the Flash Data register.

Table 166 - Flash Data Register

HOST ADDRESS	MBX81h
8051 ADDRESS	0x7FB2
POWER	VCC1
DEFAULT	0x00

	D7	D6	D5	D4	D3	D2	D1	D0
HOST TYPE	R/W	R/W	R/W	R/W	R/W	R/W	R/W	R/W
8051 TYPE	R/W	R/W	R/W	R/W	R/W	R/W	R/W	R/W
BIT NAME	D7	D6	D5	D4	D3	D2	D1	D0

13.12 INTERNAL SCRATCH ROM

The Kahuna 8051 can execute program code from a 256-byte Internal Scratch ROM when the MMC bit is '1'. The MMC bit is D3 in CONFIGURATION REGISTER 0 (MMCR 0x7FF4). The Configuration Register 0 register is described in the section see 11.8.3.4.

When the MMC bit is '1', the 8051 can execute out of the Internal Scratch ROM either when the 8051 Code Fetch Access interface or when the 8051 Program Access interface is selected. For example, the 8051 can execute code from the Internal Scratch ROM even when the 8051 Code Fetch Interface is unselected by the Flash Program Interface Decoder (see section 13.2 Flash Program Interface Decoder, above). When the MMC bit = '0', there is 256 bytes of Internal Scratch RAM located at address 0x7D00 in the 8051 Data Space (FIGURE 43). When the MMC bit is '1', the Internal Scratch RAM becomes Internal Scratch ROM and occupies 256 bytes at the top of the 64k code space; i.e., FF00h – FFFFh (FIGURE 44).

Note: When the 8051 is running from external flash, i.e. when the nEA pin = '0', the MMC bit must be '0'.

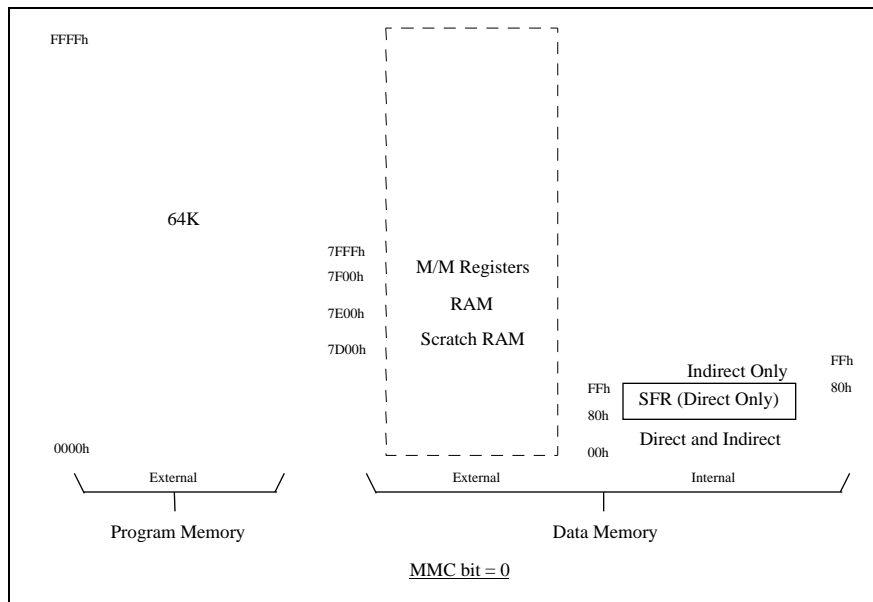


FIGURE 43 - KAHUNA MEMORY MAP W/INTERNAL SCRATCH RAM (MMC BIT = '0')

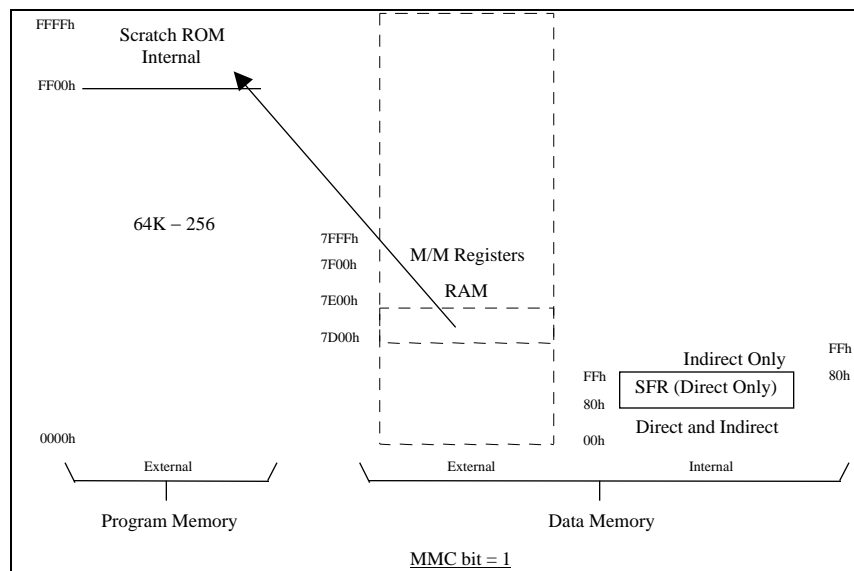


FIGURE 44 - KAHUNA MEMORY MAP W/INTERNAL SCRATCH ROM (MMC BIT = '1')

14 WATCH DOG TIMER

14.1 WDT OPERATION

When enabled, the Watch Dog Timer (WDT) circuit will generate a system reset if the user program fails to reload the watchdog timer (WDT) within a specified length of time known as the 'watchdog interval'.

The WDT consists of an 8-bit timer (WDT) with a 9-bit prescaler. The prescaler is fed with 32 KHz which always runs, even if the 8051 is in SLEEP state. The 8 bit WDT timer is decremented every $(1/32\text{KHz}) * 512$ seconds or 16.0 ms. Thus, the watchdog interval is programmable between 16ms and 4.08 seconds on 16ms intervals.

14.2 WDT ACTION

If the 8 bit timer (WDT) underflows, a VCC1 POR is generated

8051 in Idle Mode - WDT will be active if enabled. When the WDT timer underflows in idle mode, the 8051 will be reset. It is up to the firmware engineer to design code that uses a timer to generate an interrupt that will exit idle mode and re-initialize the WDT timer and then put the 8051 back into idle mode.

8051 in Sleep Mode - If enabled, the WDT is active since it is running off of the 32 KHz clock. Therefore, if the WDT is enabled the 8051 should never remain in the SLEEP state for more than 4 seconds.

14.3 WDT ACTIVATION

Upon VCC1 POR the Watch Dog Timer powers up inactive. The Watch Dog Timer is activated when the WDT enable bit (WDT CONTROL bit D1) is set by 8051 firmware. The WDT may be disabled under software control through a specific sequence. Software can clear the SDT enable bit by:

- Setting the WLE-WDT Load enable bit in the WDT Control/Status Register.
- Writing 00h to the WDT Timer Register (this causes the WDT Enable and the WLE_WDT Load Enable bits to each reset to 0).

Once the WDT has been activated, this sequence must be executed in order to disable watchdog operation via software control.

Note: Since a VCC1 POR will reset the WDT enable bit, the WDT must be re-enabled after each occurrence.

14.4 WDT RESET MECHANISM

The watchdog timer (WDT) must be reloaded within periods that are shorter than the programmed watchdog interval; otherwise the WDT will underflow and a VCC1 POR will be generated. It is the responsibility of the user program to continually execute sections of code which reload the 8 bit timer (WDT).

The WDT is reloaded in two stages in order to prevent erroneous software from reloading the watchdog. First WDT CONTROL bit D0 (WLE-WDT Load Enable) must be set. Then the WDT may be loaded. When the WDT is loaded WLE is automatically reset. WDT can not be loaded when WLE is reset. Since the WDT timer is a down counter, a reload value of 01h results in the minimum WDT interval (16ms) and a reload value of 0FFh results in the maximum WDT interval (4.08 seconds). Loading 00h into the WDT disables the WDT and clears the WDT Enable bit. Note, the 9 bit prescaler is initialized whenever the WDT timer is loaded.

14.5 WDT MEMORY MAPPED REGISTERS

Table 167 - WDT

HOST ADDRESS	N/A
8051 ADDRESS	0x 7F38
POWER	VCC1
DEFAULT	0xFF

	D7	D6	D5	D4	D3	D2	D1	D0
8051 R/W	R/W	R/W	R/W	R/W	R/W	R/W	R/W	R/W
SYSTEM R/W	N/A	N/A	N/A	N/A	N/A	N/A	N/A	N/A
BIT DEF	WDT Timer	WDT Timer	WDT Timer	WDT Timer	WDT Timer	WDT Timer	WDT Timer	WDT Timer

Table 168 - WDT Control/Status

HOST ADDRESS	N/A
8051 ADDRESS	0x 7F37
POWER	VCC1
DEFAULT	0x00

	D7-D2	D1	D0
8051 R/W	R	R/W	R/W
SYSTEM R/W	N/A	N/A	N/A
BIT DEF	Reserved	WDT Enable	WLE-WDT Load Enable

WLE

Watchdog Load Enable bit must be set to enable writing to the WDT Timer register. This bit is automatically reset when the 8051 writes to the WDT register. If this bit is reset, writes to the WDT register are ignored.

WDT Enable

The WDT enable bit must be set by 8051 firmware to enable or start the Watch Dog Timer. A VCC1 POR or the above described software sequence will reset this bit.

15 8051 SYSTEM POWER MANAGEMENT

The High-Performance 8051 core provides support for two further power-saving modes, available when inactive: Idle mode, typically entered between keystrokes; and sleep mode, entered upon command from the host. The High Performance 8051 is wakeable from sleep mode through a set of external and internal events called Wake-Up events. The events are listed in Table 169. When exiting the Sleep mode, the High Performance 8051 will continue executing code from where it left off when put into sleep with no changes to the SFR and pins.

The LPC47N252 is fully static and will pickup from where it left off in the event of a wake-up event.

15.1 IDLE MODE

Entering IDLE mode: Idle mode is initiated by an instruction that sets the PCON.0 bit (SFR address 87H) in the keyboard. In idle mode, the internal clock signal to the keyboard CPU is gated off, but not to the Interrupt Timer and Serial Port functions. The CPU status is preserved in its entirety: The Stack Pointer, Program Counter, Program Status Word, Accumulator, and all other registers maintain their data. The port pins hold the logical levels they had when Idle mode was activated.

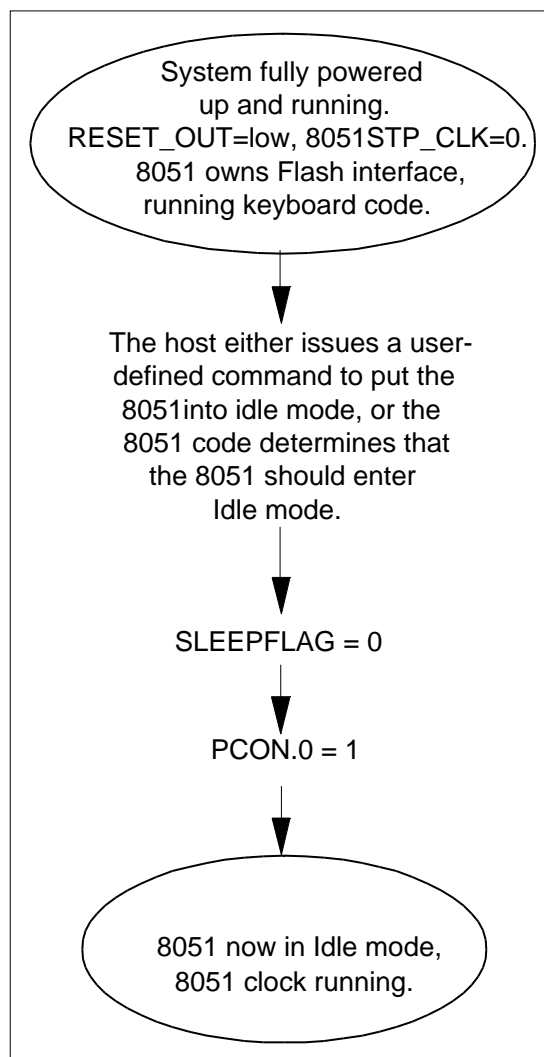


FIGURE 45 - ENTERING IDLE MODE

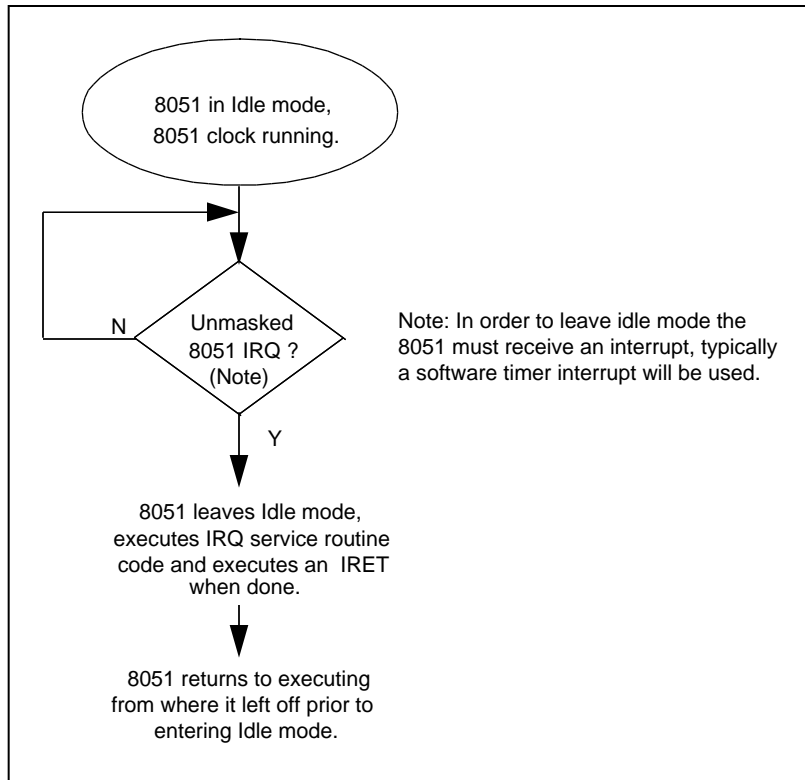


FIGURE 46 - EXITING IDLE MODE DUE TO IRQ

15.1.1 EXITING IDLE MODE

There are two ways to terminate Idle mode. First, activation of any enabled interrupt will cause the PCON.0 bit to be cleared by hardware. The interrupt will be serviced and, following the RETI, the CPU will resume operation by executing the instruction following the one that put the CPU into Idle mode.

The second way to terminate the Idle mode is with a VCC1 POR. Note that a VCC1 POR will clear the registers. The CPU will not resume program execution from where it left off.

15.2 SLEEP MODE

When the CPU enters sleep mode, all internal clocks, including the core clocks, are turned off. If an external crystal is used, the internal oscillator is turned off. RAM contents are preserved. Sleep mode is initiated by a user defined 8051 command sequence.

Sleep Mode Sequence - To enter sleep mode, the 8051:

Turns on the ring oscillator (KSTP_CLK[4] = 1)

Switches the clock source (KSTP_CLK[5] = 0)

Turns off the clock chip (or the whole system power, VCC2)

Masks all interrupts except for INT5_h

Sets SLEEPFLAG = 1

Sets PCON.0 = 1

The ring oscillator will be automatically turned off

The 8051 goes into Sleep mode.

In sleep mode, the FDC, UART and parallel port are powered off if VCC2 is removed, but the RTC and 8051 are in powerdown (sleep) mode. In Sleep mode the LPC47N252 consumes less than 20 μ A, and all wake-up pins are still active.

When the 8051 is in sleep mode, all of the clocks are stopped and the 8051 is waiting for an unmasked wake-up event. When the wake-up event occurs, the ring oscillator is started the 8051 starts executing from where it stopped in the sleep Mode Sequence. Once running, the 8051 can access all of the registers that are on VCC1 and if VCC2 is at 3.3V it can access all of the registers on VCC2. The 8051 running from the ring oscillator (internal) clock source switch to an external clock source and then turn off the ring oscillator (internal) clock source.

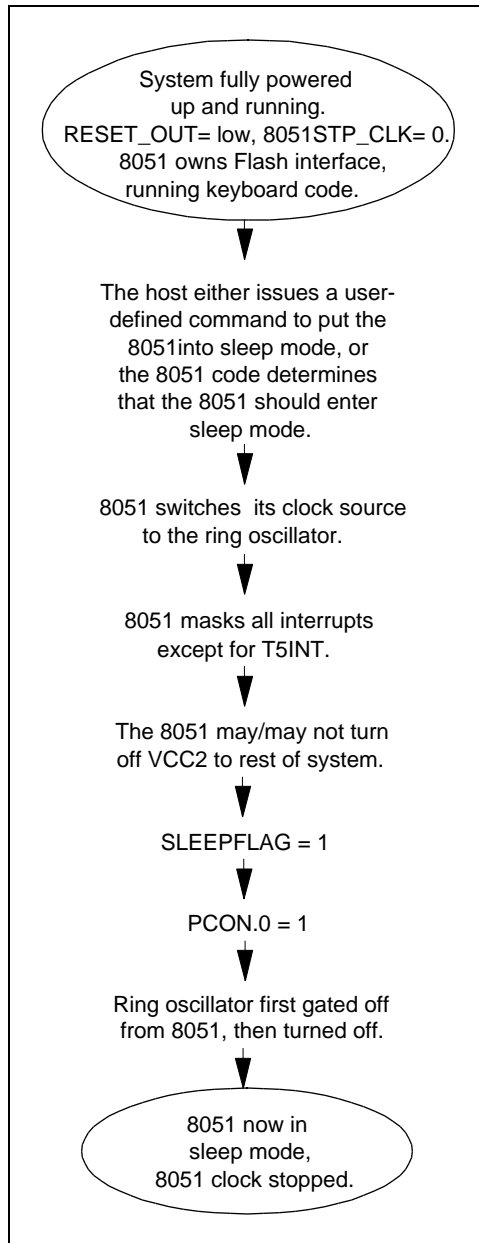


FIGURE 47 - ENTERING SLEEP MODE

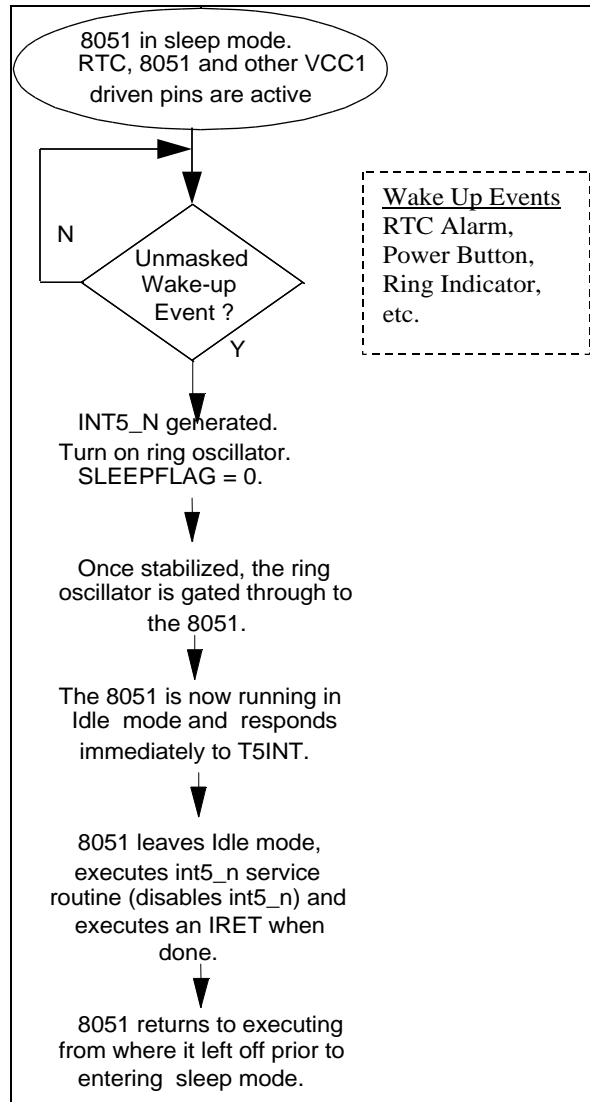


FIGURE 48 - EXITING SLEEP MODE

15.3 WAKE-UP EVENTS

There are two types of wake-up events that can occur, internal (Table 169 – Internal System Wake-up Events) and external (Table 170 - External System Wake-up Events). Wake-up events on General Purpose Pins can be either edge or selectable edges. Refer to table Table 129 For further description. Wake-up events can occur when VCC2 is off. VCC1 must be on for a wake-up event to occur, but the high-performance 8051 can be in sleep mode.

Table 169 – Internal System Wake-up Events

WAKE-UP EVENTS	REGISTER	DESCRIPTION
RTC_ALARM	Wake Up Src 1 (0x7F2B) [D0]	RTC alarm
HTIMER	Wake Up Src 2 (0x7F2B) [D2]	Hibernation timer
PM1_STS2	Wake Up Src 1 (0x7F2A) [D5]	PM1 Status
PM1_EN2	Wake Up Src 1 (0x7F2A) [D6]	PM1 Enable
PM1_CTL2	Wake Up Src 1 (0x7F2A) [D7]	PM1 Control

Table 170 - External System Wake-up Events

PIN	WAKE-UP EVENTS	ACTIVE EDGE	REGISTER	DESCRIPTION
nRI	UART_RI1	Edge, high-to-low	Wake Up Src 2 (0x7F2B) [D6]	UART ring indicator
AB1_DAT A	ACCBUS1	Leading edge, high-to-low	Wake Up Src1 (0x7F2A) [D4]	AB_DAT ACCESS BUS1
AB2_DAT A	ACCBUS2		Wake Up Src1 (0x7F2A) [D3]	AB_DAT ACCESS BUS2
IRRX	IR_RX	Edge, high-to-low	Wake Up Src1 (0x7F2B) [D2]	IR energy detected on the IRRX Receive pin.
KSI[7:0]	WK_ANYKEY	Edge, high-to-low	Wake Up Src 2 (0x7F2B) [D1]	Any Keyboard Key pressed
GPIO0/	WK_SE02	PROGRAMMABLE	Wake Up Src 4 (0x7F59) [D2]	General Purpose Pin
GPIO1	WK_SE03		Wake Up Src 4 (0x7F59) [D3]	
GPIO2	WK_SE04		Wake Up Src 4 (0x7F59) [D4]	
GPIO3	TRIGGER		INT SRC 1 (0x7F02) [D3]	
GPIO4	WK_SE07		Wake Up Src 4 (0x7F59) [D7]	
GPIO5	WK_SE10		Wake Up Src 5 (0x7F5E) [D0]	
GPIO6	WK_SE11		Wake Up Src 5 (0x7F5E) [D1]	
GPIO7	WK_SE06		Wake Up Src 4 (0x7F59) [D6]	General Purpose Pin
GPIO8	WK_SE12		Wake Up Src 5 (0x7F5E) [D2]	GPIO8 or IR energy detected on the GPIO/COM-RX Receive pin.
GPIO9	WK_SE13		Wake Up Src 5 (0x7F5E) [D3]	General Purpose Pin
GPIO10	WK_SE14		Wake Up Src 5 (0x7F5E) [D4]	General Purpose Pin Or FIR Mode Output/ 2 nd Receive Input

PIN	WAKE-UP EVENTS	ACTIVE EDGE	REGISTER	DESCRIPTION
GPIO11	WK_SE15		Wake Up Src5 (0x7F5E) [D5]	GPIO11 or ACCESS.Bus 2 Serial Data
GPIO12	WK_SE16		Wake Up Src5 (0x7F5E) [D6]	GPIO12 or ACCESS.Bus 2 Clock
GPIO13	WK_SE17		Wake Up Src5 (0x7F5E) [D7]	General Purpose Pin
GPIO14	WK_SE20		Wake Up Src6 (0x7F63) [D0]	General Purpose Pin
GPIO15	WK_SE21		Wake Up Src6 (0x7F63) [D1]	General Purpose Pin
GPIO16	WK_SE22		Wake Up Src6 (0x7F63) [D2]	General Purpose Pin
GPIO17	WK_SE23		Wake Up Src6 (0x7F63) [D3]	General Purpose Pin
GPIO18	WK_SE27		Wake Up Src6 (0x7F63) [D7]	GPIO18 or DMA Acknowledge
GPIO19	WK_SE24		Wake Up Src6 (0x7F63) [D4]	General Purpose Pin /DMA Acknowledge
GPIO20/ PS2CLK/ 8051RX	WK_SE25		Wake Up Src6 (0x7F63) [D5]	General Purpose Pin /PS2 Serial Clock 8051 RX Input
GPIO21/ PS2DAT/ 8051TX	WK_SE26		Wake Up Src6 (0x7F63) [D6]	General Purpose Pin /PS2 Serial Data 8051 TX Input
IN0	WK_EE4	Either edge	Wake Up Src 2 (0x7F2B) [D5]	<ul style="list-style-type: none"> General purpose wakeup source
IN1	WK_EE2	Either edge	Wake Up Src 2 (0x7F2B) [D4]	
IN2	WK_EE3	Either edge	Wake Up Src 2 (0x7F2B) [D5]	
IN3	nGPWKUP	High-to-Low	Wake Up Src 2 (0x7F2B) [D3]	
IN4	WK_SE00	Either edge	Wake Up Src 4 (0x7F59) [D0]	
IN5	WK_SE01	Either edge	Wake Up Src 4 (0x7F59) [D1]	
IN6	WK_SE05	Either edge	Wake Up Src 4 (0x7F59) [D5]	
IN7	WK_EE1	Either edge	Wake Up Src1 (0x7F2B) [D1]	
FAN_TAC H1	TACH1	When the output of the fan pulse counter threshold detector is asserted.	Wake Up Src 7 (0x7F64) [D0]	When the fan speed drops below a predetermined value.
FAN_TAC H2	TACH2	When the output of the fan pulse counter threshold detector is asserted.	Wake Up Src 7 (0x7F64) [D1]	When the fan speed drops below a predetermined value.
FDC_PP	FDC_PP	Either edge	Wake Up Src 7 (0x7F64) [D2]	Floppy-on-Parallel Port detection pin.
LGPIO50	LGPIO50	Either edge	Wake Up Src 8 (0x7F55) [D0]	LPC/8051-addressable GPIOs
LGPIO51	LGPIO51	Either edge	Wake Up Src 8 (0x7F55) [D1]	

PIN	WAKE-UP EVENTS	ACTIVE EDGE	REGISTER	DESCRIPTION
LGPIO52	LGPIO52	Either edge	Wake Up Src 8 (0x7F55) [D2]	
LGPIO53	LGPIO53	Either edge	Wake Up Src 8 (0x7F55) [D3]	
LGPIO54	LGPIO54	Either edge	Wake Up Src 8 (0x7F55) [D4]	
LGPIO55	LGPIO55	Either edge	Wake Up Src 8 (0x7F55) [D5]	
LGPIO56	LGPIO56	Either edge	Wake Up Src 8 (0x7F55) [D6]	
LGPIO57	LGPIO57	Either edge	Wake Up Src 8 (0x7F55) [D7]	

Note: All alternate functions of wake-capable GPIO primary function pins can generate wake events. Not all GPIO pins can generate wake events (See Table 228 – LPC47N252 GPIO Types on page 244.)

16 KEYBOARD CONTROLLER

16.1 8042 STYLE HOST INTERFACE

The LPC47N252 keyboard controller uses a High-Performance 8051 microcontroller CPU core to produce a superset of the features provided by the industry-standard 8042 keyboard controller. Added features include two high-drive serial interfaces, and additional interrupt sources. The LPC47N252 provides an industry standard 8042-style LPC host interface to the High-Performance 8051 to emulate standard 8042 keyboard controller and preserve software backward compatibility with the system BIOS.

The LPC47N252's LPC keyboard interface is functionally compatible with the 8042-style host interface. keyboard controller has the KBD (Keyboard) Status register, KBD Data/Command Write register, and KBD Data Read register.

Table 171 shows how the has the LPC interface accesses the keyboard controller. In addition to the above signals, the host interface includes keyboard and mouse interrupts.

16.2 KEYBOARD CONTROLLER REGISTER DESCRIPTION

Table 171 - Keyboard Controller LPC I/O Address Map

ISA ADDRESS	COMMAND	FUNCTION
0x60	Write	Keyboard Data Write (C/D=0)
	Read	Keyboard Data Read
0x64	Write	Keyboard Command Write (C/D=1)
	Read	Keyboard Status Read

Note: These registers consist of three separate 8 bit registers: KBD Status, KBD Data/Command Write and KBD Data Read.

16.2.1 KEYBOARD DATA WRITE

This is an 8 bit write only register. When written, the C/D status bit of the status register is cleared to zero and the IBF bit is set.

16.2.2 KEYBOARD DATA READ

This is an 8 bit read only register. When read, the PBOBF and/or AUXOBF interrupts are cleared and the OBF flag in the status register is cleared.

16.2.3 KEYBOARD COMMAND WRITE

This is an 8 bit write only register. When written, the C/D status bit of the status register is set to one and the IBF bit is set.

16.2.4 KEYBOARD STATUS READ

This is an 8 bit read only register. Refer to the description of the Status Register (7FF2H) for more information.

16.3 8051-TO-HOST KEYBOARD COMMUNICATION

The 8051 can write to the KBD Data Read register via address 7FF1H and 7FFAH (Aux Host Data Register) respectively. A write to either of these addresses automatically sets bit 0 (OBF) in the Status register. A write to 7FF1H also sets PCOBF. A write to 7FFAH also sets AUXOBF1. See Table 172 below.

Table 172 - Host-Interface Flags

8051 ADDRESS	FLAG
7FF1H (R/W)	PCOBF (KIRQ) output signal goes high
7FFAH (W)	AUXOBF1 (MIRQ) output signal goes high

Table 173 - Host I/F Data Register

HOST	0x60
8051	0x7FF1
POWER	VCC1
DEFAULT	N/A

The Input Data register and Output Data register are each 8 bits wide. A write to this 8 bit register by the 8051 will load the Keyboard Data Read Buffer, set the OBF flag and set the PCOBF output if enabled. A read of this register by the 8051 will read the data from the Keyboard Data or Command Write Buffer and clear the IBF flag. Refer to the PCOBF and Status register descriptions for more information.

Table 174 - Host I/F Command Register

HOST	0x64 (W)
8051	0x7FF1
POWER	VCC1
DEFAULT	N/A

The host CPU sends commands to the keyboard controller by writing command bytes to this register.

Table 175 - Host I/F Status Register

HOST	0x64 (R)
8051	0x7FF2
POWER	VCC1
DEFAULT	N/A

The Status register is 8 bits wide. Shows the contents of the KBD Status register.

Table 176 - KBD Status Register

D7	D6	D5	D4	D3	D2	D1	D0
UD	UD	AUXOBF/UD	UD	C/D	UD	IBF	OBF

This register is read-only for the Host and read/write by the 8051. The 8051 cannot write to bits 0, 1, or 3 of the Status register.

UD

Read/Writeable by 8051. These bits are user-definable.

C/D

Command Data - This bit specifies whether the input data register contains data or a command ("0" = data, "1" = command). During a host data/command write operation, this bit is set to "1" if SA2 = "1" or reset to "0" if SA2 = 0.

IBF

Input Buffer Full - This flag is set to "1" whenever the host system writes data into the input data register. Setting this flag activates the 8051's nIBF interrupt if enabled. When the 8051 reads the input data register, this bit is automatically reset and the interrupt is cleared. There is no output pin associated with this internal signal.

OBF

Output Buffer Full - This flag is set to "1" whenever the 8051 writes into the data registers at 7FF1H or 7FFAH. When the host system reads the output data register, this bit is automatically reset.

AUXOBF

Auxiliary Output Buffer Full - This flag is set to "1" whenever the 8051 writes into the data registers at 7FFAH. This flag is reset to "0" whenever the 8051 writes into the data registers at 7FF1H.

Table 177 - PCOBF

HOST	N/A
8051	0x7FFD
POWER	VCC1
DEFAULT	0x00

Refer to the PCOBF description for information on this register. This is a "1" bit register (bits 1-7=0 on read)

16.4 HOST-TO 8051 KEYBOARD COMMUNICATION

The host system can send both commands and data to the KBD Data/Command Write register. The CPU differentiates between commands and data by reading the value of bit 3 of the Status register. When bit 3 is "1", the CPU interprets the register contents as a command. When Bit 3 is "0", the CPU interprets the register contents as data. During a host write operation, bit 3 is set to "1" if SA2 = 1 or reset to "0" if SA2 = 0.

16.4.1 PCOBF DESCRIPTION

(The following description assumes that OBFEN = 1 in Configuration Register 0); PCOBF is gated onto KIRQ. The KIRQ signal is a system interrupt which signifies that the 8051 has written to the KBD Data Read register via address 7FF1H. On power-up, PCOBF is reset to 0. PCOBF will normally reflect the status of writes to 7FF1H, if PCOBFEN (bit 2 of Configuration register "0") = "0". (KIRQ is normally selected as IRQ1 for keyboard support.) PCOBF is cleared by hardware on a read of the Host Data Register.

Additional flexibility has been added which allows firmware to directly control the PCOBF output signal, independent of data transfers to the host-interface data output register. This feature allows the LPC47N252 to be operated via the host "polled" mode. This firmware control is active when PCOBFEN = 1 and firmware can then bring PCOBF high by writing a "1" to the LSB of the 1 bit data register, PCOBF, allocated at 7FFDH. The firmware must also clear this bit by writing a "0" to the LSB of the 1 bit data register at 7FFDH.

The PCOBF register is also readable; bits 1-7 will return a "0" on the read back. The value read back on bit 0 of the register always reflects the present value of the PCOBF output. If PCOBFEN = 1, then this value reflects the output of the firmware latch at 7FFDH. If PCOBFEN = 0, then the value read back reflects the in-process status of write cycles to 7FF1H (i.e., if the value read back is high, the host interface output data register has just been written to). If OBFEN=0, then KIRQ is driven inactive (low).

16.4.2 AUXOBF1 DESCRIPTION

(The following description assumes that OBFEN = 1 in Configuration Register 0); This bit is multiplexed onto MIRQ. The AUXOBF1/MIRQ signal is a system interrupt which signifies that the 8051 has written to the output data register via address 7FFAH.

On power-up, after VCC1 POR, AUXOBF1 is reset to 0. AUXOBF1 will normally reflects the status of writes to 7FFAH. (MIRQ is normally selected as IRQ12 for mouse support.) AUXOBF1 is cleared by hardware on a read of the Host Data Register. If OBFEN=0, then KIRQ is driven inactive (low).

	HOST I/F STATUS REGISTER BITS			
Write to Register	AUXOBF (D5)	OBF (D0)	OBFEN=0	OBFEN=1
7FF1	0	1	KIRQ=0	KIRQ=1
7FFA	1	1	MIRQ=0	MIRQ=1

OBFEN	PCOBFEN	
0	X	KIRQ is inactive and driven low
1	0	KIRQ = PCOBF@7FF1
1	1	KIRQ = PCOBF@7FFD

OBFEN	AUXH	
0	X	MIRQ is inactive and driven low
1	0	MIRQ = PCOBF@7FFA; Status Register D5 = User Defined
1	1	MIRQ = PCOBF@7FFA; Status Register D5 = Hardware Controlled

8051 AUXOBF1 Control Register, AUX Host Data Register

HOST	0x60
8051	0x7FFA
POWER	VCC1
DEFAULT	N/A

Refer to the AUXOBF1 description for information on this register.

16.5 GATEA20 HARDWARE SPEED-UP

GATEA20 is multiplexed onto GPIO17 using MISC6. The LPC47N252 contains on-chip logic support for the GATEA20 hardware speed-up feature. GATEA20 is part of the control required to mask address line A20 to emulate 8086 addressing.

In addition to the ability for the host to control the GATEA20 output signal directly, a configuration bit called "SAEN" (Software Assist Enable, bit 1 of Configuration register 0) is provided; when set, SAEN allows firmware to control the GATEA20 output.

When SAEN is set, a 1 bit register assigned to address 7FFBH controls the GATEA20 output. The register bit allocation is shown in Table 178.

Table 178 - Register Bit Allocation

D7	D6	D5	D4	D3	D2	D1	D0
x	x	x	x	x	x	x	GATEA20

Writing a "0" into location D0 causes the GATEA20 output to go low, and vice versa. When the register at location 7FFBH is read, all unused bits (D7-D1) are read back as "0".

Host control and firmware control of GATEA20 affect two separate register elements. Read back of GATEA20 through the use of 7FFBH reflects the present state of the GATEA20 output signal: if SAEN is set, the value read back corresponds to the last firmware-initiated control of GATEA20; if SAEN is reset, the value read back corresponds to the last host-initiated control of GATEA20.

Host control of the GATEA20 output is provided by the hardware interpretation of the "GATEA20 sequence" (see Table 179). The foregoing description assumes that the SAEN configuration bit is reset.

When the LPC47N252 receives a "D1" command followed by data (via the host interface), the on-chip hardware copies the value of data bit 1 in the received data field to the GATEA20 host latch. At no time during this host-interface transaction will PCOBF or the IBF flag (bit 1) in the Status register be activated; i.e., this host control of GATEA20 is transparent to firmware, with no consequent degradation of overall system performance. Table 179 details the possible GATEA20 sequences and the LPC47N252 responses.

On VCC1 POR, GATEA20 will be set.

An additional level of control flexibility is offered via a memory-mapped synchronous set and reset capability. Any data written to 7FFEh causes the GATEA20 host latch to be set; any data written to 7FFFh causes it to be reset. This control mechanism should be used with caution. It was added to augment the "normal" control flow as described above, not to replace it. Since the host and the firmware have asynchronous control capability of the host latch via this mechanism, a potential conflict could arise. Therefore, after using the 7FFEh and 7FFFh addresses, firmware should read back the GATEA20 status via 7FFBH (with SAEN = 0) to confirm the actual GATEA20 response.

Table 179 - GATE20 Command/Data Sequence Examples

SA2	R/W	D[0:7]	IBF FLAG	GATEA20	COMMENTS
1	W	D1	0	Q	GATEA20 Turn-on Sequence
0	W	DF	0	1	
1	W	FF	0	1	
1	W	D1	0	Q	GATEA20 Turn-off Sequence
0	W	DD	0	0	
1	W	FF	0	0	

SA2	R/W	D[0:7]	IBF FLAG	GATEA20	COMMENTS
1	W	D1	0	Q	GATEA20 Turn-on Sequence(*)
1	W	D1	0	Q	
0	W	DF	0	1	
1	W	FF	0	1	
1	W	D1	0	Q	GATEA20 Turn-off Sequence(*)
1	W	D1	0	Q	
0	W	DD	0	0	
1	W	FF	0	0	
1	W	D1	0	Q	Invalid Sequence
1	W	XX**	1	Q	
1	W	FF	1	Q	

Notes:

- 1) All examples assume that the SAEN configuration bit is 0.
- 2) "Q" indicates the bit remains set at the previous state.
- 3) *Not a standard sequence.
- 4) **XX = Anything except D1.
- 5) If multiple data bytes, set IBF and wait at state 0. Let the software know something unusual happened.
- 6) For data bytes SA2=0, only D[1] is used; all other bits are don't care.

16.5.1 8051 GATEA20 CONTROL REGISTERS

Table 180 - GATEA20

HOST	N/A
8051	0x7FFB
POWER	VCC1
DEFAULT	0x01

Refer to the GATEA20 Hardware Speed-up description for information on this register. This is a one bit register (Bits 1-7=0 on read)

Table 181 - SETGA20L

HOST	N/A
8051	0x7FFE (W)
POWER	VCC1
DEFAULT	N/A

Refer to the GATEA20 Hardware Speed-up description for information on this register. A write to this register sets GateA20.

Table 182 - RSTGA20L

HOST	N/A
8051	0x7FFF (W)
POWER	VCC1
DEFAULT	N/A

Refer to the GATEA20 Hardware Speed-up description for information on this register. A write to this register re-sets GateA20.

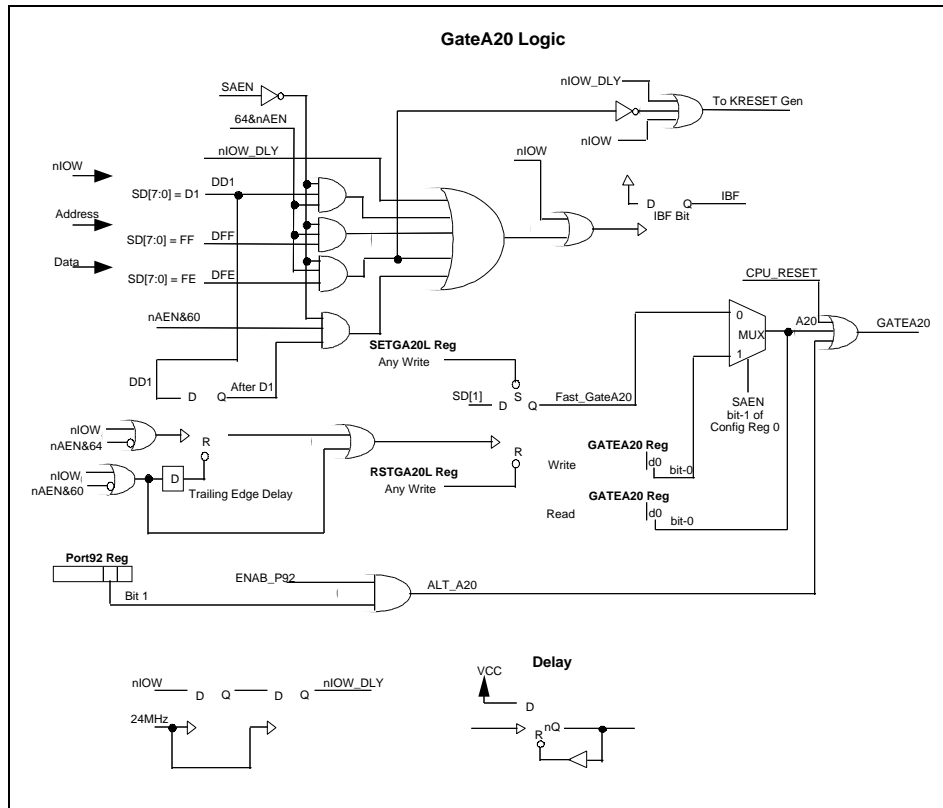


FIGURE 49 - GATEA20 IMPLEMENTATION DIAGRAM

16.5.2 CPU_RESET HARDWARE SPEED-UP

The ALT_CPU_RESET bit generates, under program control, the nALT_RST signal, which provides an alternate means to drive the LPC47N252 CPU_RESET pin which in turn is used to reset the Host CPU. The nALT_RST signal is internally NANDed together with the nKBDRESET pulse from the KRESET Speed up logic to provide an alternate software means of resetting the host CPU. Note: before another nALT_RST pulse can be generated, ALT_CPU_RESET must be cleared to "0" either by a system reset (nRESET_OUT asserted) or by a write to the Port92 register with bit 0 = "0". A nALT_RST pulse is not generated in the event that the ALT_CPU_RESET bit is cleared and set before the prior nALT_RESET pulse has completed.

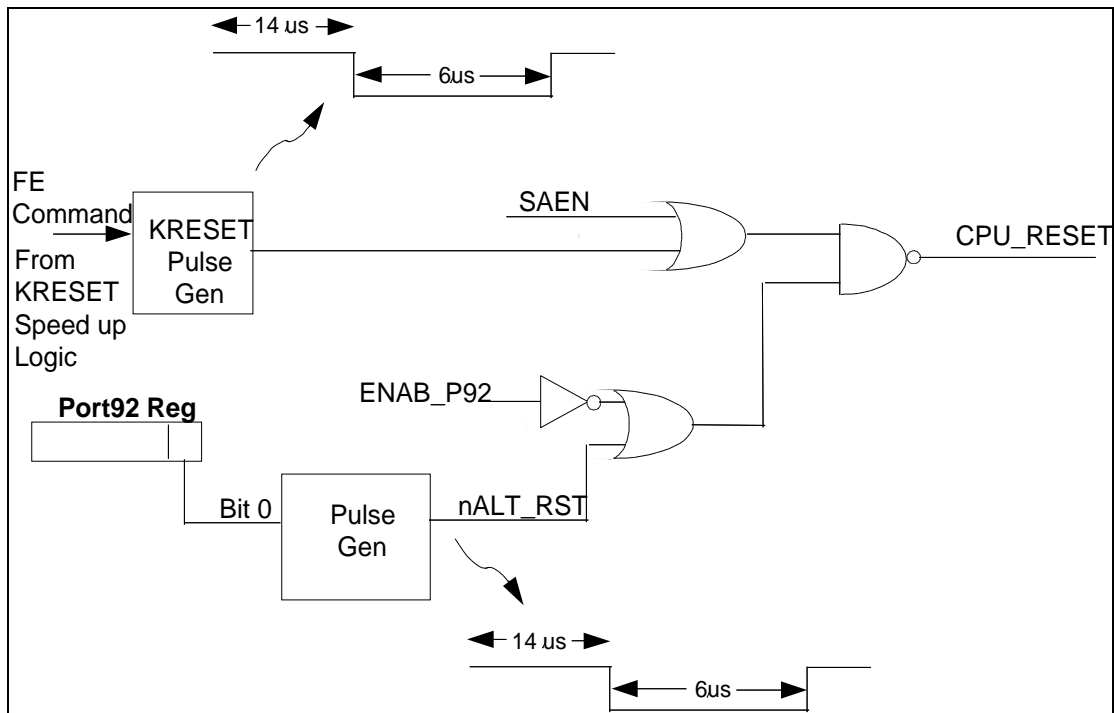


FIGURE 50 - CPU_RESET IMPLEMENTATION DIAGRAM

16.5.3 PORT 92

The LPC47N252 supports LPC I/O writes to port 92h as a quick alternate mechanism for generating a CPU_RESET pulse or controlling the state of GATEA20.

PORT 92 REGISTER DESCRIPTION

	D7-D2	D1	D0
Host R/W	R/W	R/W	R/W
Bit Def	0 Reserved	ALT_GATEA20	ALT_CPU_RESET

The Port92h register resides at host address 0x92 and is used to support the alternate reset (nALT_RST) and alternate GATEA20 (ALT_A20) functions. This register defaults to 0x00 on assertion of nRESET_OUT or on VCC2 Power On Reset.

Setting the Port 92 Enable bit (bit 0 of Logical Device 7 Configuration Register 0xF0) enables the Port92h Register. When Port92 is disabled, by clearing the Port 92 Enable bit, then access to this register is completely disabled (I/O writes to host 92h are ignored and I/O reads float the system data bus SD[7:0]).

When Port92h is enabled the bits have the following meaning:

- **D7-D2 Reserved** - A write are ignored and a read return 0.
- **D1 - ALT_GATEA20** - This bit provides an alternate means for system control of the LPC47N252 GATEA20 pin.
 - = 0: ALT_A20 is driven low
 - = 1: ALT_A20 is driven high

When Port 92 is enabled, writing a 0 to bit 1 of the Port92 Register forces ALT_A20 low. ALT_A20 low drives GATEA20 low, if A20 from the keyboard controller is also low. When Port 92 is enabled, writing a 1 to bit 1 of the Port92 register forces ALT_A20 high. ALT_A20 high drives GATEA20 high regardless of the state of A20 from the keyboard controller.

- **D0 - ALT_CPU_RESET** - This bit provides an alternate means to generate a CPU_RESET pulse. The CPU_RESET output provides a means to reset the system CPU to effect a mode switch from Protected Virtual Address Mode to the Real Address Mode. This provides a faster means of reset than is provided through the 8051 keyboard controller. Writing a "1" to this bit will cause the nALT_RST internal signal to pulse (active low) for a minimum of 6µs after a delay of 14µs. Before another nALT_RST pulse can be generated, this bit must be written back to "0".

16.5.4 GATEA20

The hardware GATEA20 state machine returns to state S1 from state S2 when CMD = D1 (FIGURE 51).

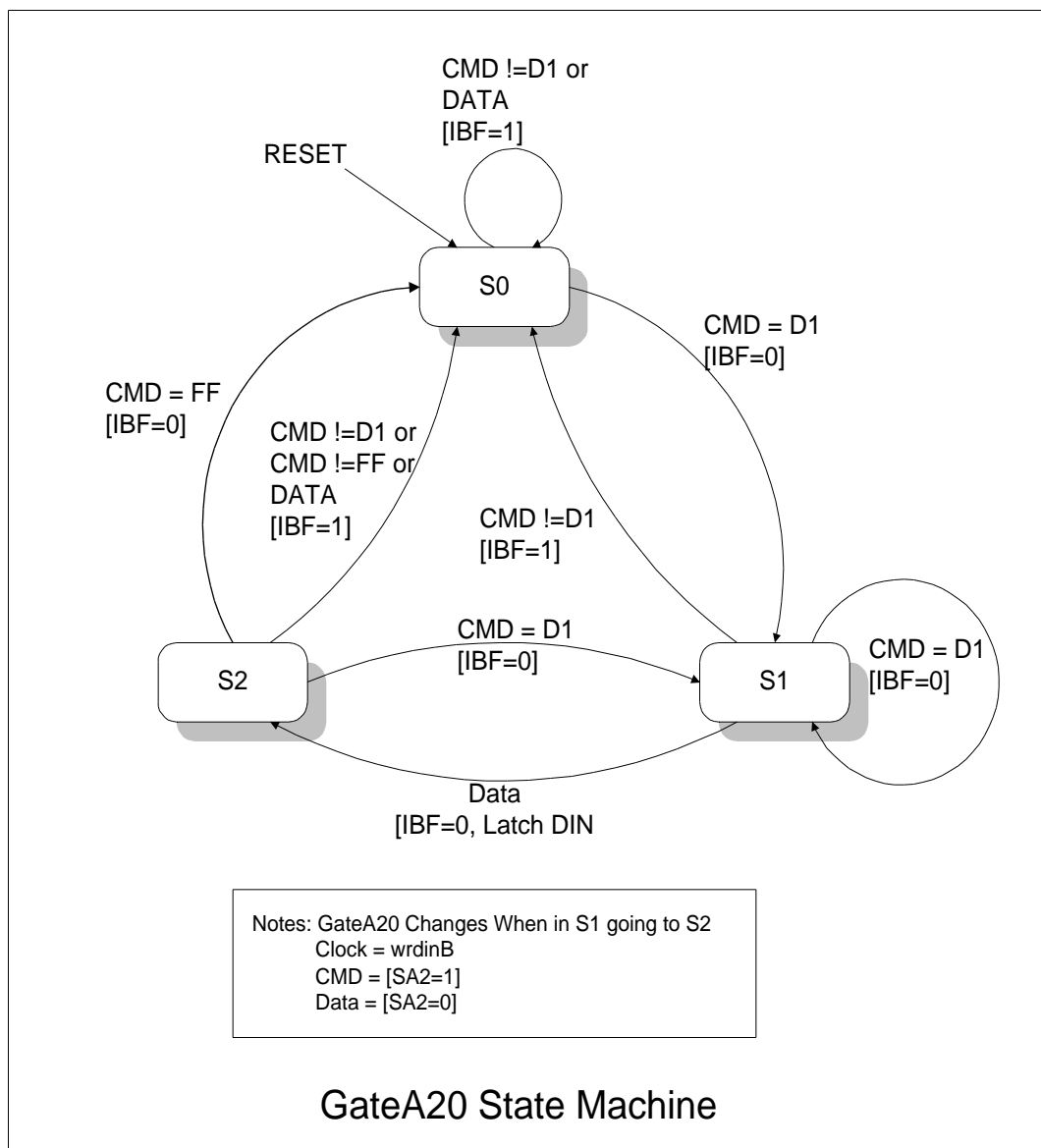


FIGURE 51 – GATEA20 STATE MACHINE

16.6 DIRECT KEYBOARD SCAN

The LPC47N252 scanning keyboard controller is designed for intelligent keyboard management in computer applications. By properly configuring GPIO4 and GPIO5, the LPC47N252 may be programmed to directly control keyboard interface matrixes of up to 16x8.

Table 183 - Keyboard Scan-Out Register

HOST	N/A
8051	0x7F04 (W)
POWER	VCC1
DEFAULT	0x20

	D7-D6	D5	D4	D3	D2	D1	D0
8051 R/W	W	W	W	W	W	W	W
Bit Def	N/A	KSEN	1 = forces all KSO lines to go low	D5 and D4 must be '0' D[3:0] = 0000 KSO[0] is asserted low D[3:0] = 0001 KSO[1] is asserted low D[3:0] = 0010 KSO[2] is asserted low D[3:0] = 0011 KSO[3] is asserted low D[3:0] = 1101 KSO[13] is asserted low D[3:0] = 1110 KSO[14] is asserted low D[3:0] = 1111 KSO[15] is asserted low			

KSEN 1 = disable scanning of internal keyboard (all the KSOUT lines going high) (D4-D0 are don't cares)
 0 = enable scanning of internal keyboard

Note: Setting D[3:0] to 111x puts KSO0 - KSO13 outputs as Hi-Z.

Table 184 - Keyboard Scan-In Register

HOST	N/A
8051	0x7F04 (R)
POWER	VCC1
DEFAULT	N/A

	D7-D0
8051 R	R
Bit description	Reflects the state of KSI [7:0]

The value of the KSI[x] pins can be read through this register.

The pin values are latched during the read.

16.7 EXTERNAL KEYBOARD AND MOUSE INTERFACE

Industry-standard PC/AT-compatible keyboards employ a two-wire, bidirectional TTL interface for data transmission. Several sources also supply PS/2 mouse products that employ the same type of interface. To facilitate system expansion, the LPC47N252 provides four pairs of signal pins that may be used to implement this interface directly for an external keyboard and mouse.

The LPC47N252 has four high-drive, open-drain output (external pull-ups are required), bidirectional port pins that can be used for external serial interfaces, such as ISA external keyboard and PS/2-type mouse interfaces. They are KBCLK, KBDAT, EMCLK, EMDAT, IMCLK, IMDAT, PS2CLK and PS2DAT.

The following function is assumed to be in the PS/2 PORT logic: The serial clock lines, KBCLK, EMCLK, IMCLK and PS2CLK, are cleared to a low by VCC2 POR. This is so that any power-on self-test completion code transmitted from the serial keyboard will not be missed by the LPC47N252 due to power-up timing mismatches.

17 PS/2 DEVICE INTERFACE

The LPC47N252 has four independent PS/2 serial ports implemented in hardware which are directly controlled by the on chip 8051. The hardware implementation eliminates the need to bit bang I/O ports to generate PS/2 traffic, however bit banging is still available if required.

Each of the four PS/2 serial channels use a synchronous serial protocol to communicate with the auxiliary device. Each PS/2 channel has two signal lines : Clock and Data. Both signal lines are bi-directional and employ open drain outputs capable of sinking 16mA. A pull-up resistor (typically 10K) is connected to the clock and data lines. This allows either the LPC47N252 SMSC PS/2 logic or the auxiliary device to control both lines. Regardless, the auxiliary device provides the clock for transmit and receive operations. The serial packet is made up of eleven bits, listed in order as they will appear on the data line : start bit, eight data bits (least significant bit first), odd parity, and stop bit. Each bit cell is from 60µS to 100µS long.

The SMSC PS/2 and the Devil Logic interfaces are available in the LPC47N252. The PS2_SEL Control bit D4 in Configuration Register 0 (0x7FF4) is used select between these two mutually exclusive options. (see Table 105 - Configuration Register 0). Many of the SMSC PS/2 and the Devil Logic registers share the same address space in the 8051 MMRs. These are shown in Table 101 between addresses 0x7F41 and 0x7F4F.

See **8051 INTO Source Register** on page 138 for a description of the Devil Logic versus the SMSC PS/2 interrupts and a description of the respective pin mapping.

Table 185 - Pin Definitions

PIN NUMBER	PIN NAME	SMSC PS/2 FUNCTION	SMSC PS/2 DESCRIPTION
45	GPIO20	PS2CLK	Channel D Serial Clock
46	GPIO[21]	PS2DAT	Channel D Serial Data
47	IMCLK	IMCLK	Channel C Serial Clock
48	IMDAT	IMDAT	Channel C Serial Data
50	KCLK	KCLK	Channel B Serial Clock
51	KDAT	KDAT	Channel B Serial Data
52	EMCLK	EMCLK	Channel A Serial Clock
53	EMDAT	EMDAT	Channel A Serial Data

All PS/2 Serial Channel signals (CLK and DAT) are driven by open collector (TYPE I/OD16) drivers pulled to VCC2 (+3.3V nominal) through 10K-ohm resistors.

17.1 SMSC PS/2 LOGIC OVERVIEW

The SMSC PS/2 logic allows the host to communicate to any serial auxiliary devices compatible with the PS/2 interface through any one of four channels. The PS/2 Logic consists of four identical SMSC PS/2 channels, each containing a set of four operating registers. The four Channels are PS/2 Chan A, PS/2 Chan B, PS/2 Chan C, and PS/2 Chan D. During a reception, the LPC47N252 latches the data on the high to low transition of the clock. During a transmission, the LPC47N252 transitions the data line on the high to low transition of the clock. See FIGURE 52 – SMSC PS/2 LOGIC BLOCK DIAGRAM.

Notes:

- 1) Each PS/2 channel has the ability to “busy” the communication link by pulling the clock line low. This is accomplished by simultaneously clearing the PS2_EN and WR_CLK bits in the Control Register.
- 2) Each PS/2 channel has the ability to abort, prior to the parity bit (10th bit), the transfer in progress.
- 3) Clock bit time (cycle time) typically varies between 60 and 100 us. The LPC47N252 PS/2 Logic is designed such that it is immune to variations in the clock cycle times within the limit of the transfer timeout.
- 4) Once a transmission has begun, the PS/2 peripheral is allowed up to 300us per bit transfer. If the time between falling clock edges exceeds 300us a transfer timeout occurs resulting in either XMIT_TIMEOUT or REC_TIMEOUT being set along with the generation of an interrupt.
- 5) Once a transmission has started, the PS/2 peripheral has approximately 2ms to complete the transfer. This transfer timeout applies to transmissions as well as receptions. In the case of a transmission(reception), if a 2ms timeout occurs the XMIT_TIMEOUT(REC_TIMEOUT) bit in the status register is set and an interrupt is generated.

- 6) When the controller is ready to transmit data it floats the data line and drives the clock line low. Once data is written to the Transmit Register the data line is driven low and after a delay the clock line is released (floated) so that the PS/2 peripheral knows data is ready. Releasing the clock signals the start of a transmission. The PS/2 peripheral has 25ms to acknowledge the transmit start condition above by driving the clock line low. If the PS/2 peripheral does not acknowledge in the allotted time then a Transmit timeout occurs: setting the XMIT_TIMEOUT error bit in the Status register and generating an interrupt.
- 7) By clearing the PS/2 channels PS2_EN bit in its Control Register the PS/2 Channel can be operated in a fully software controlled “Bit-bang” mode. This allows operation of auxilliary devices that do not meet standard PS/2 protocol timing handled by the LPC47N252’s PS/2 Logic block.
- 8) See Sections 33.10 through 0 for timing information.

PROGRAMMER’S NOTES:

- 1) The PS2_T/R bit should never be used to abort an active transmission by setting it to 0 in the middle of a transmission. To properly abort refer to Programmer’s Note
- 2) To abort a transfer from the peripheral the WR_CLK and PS2_EN bits can be set low simultaneously and held for at least 300us.
- 3) A transmission may be started immediately if PS2_T/R is set to “1” within 30us of a XMIT finished Interrupt or within 30us of reading the Receive Register, otherwise the channel may be in the middle of receiving data from the peripheral. If PS2_T/R is not set to one under the above conditions software should wait 300us before transmitting to insure that the peripheral has aborted it’s transmission.

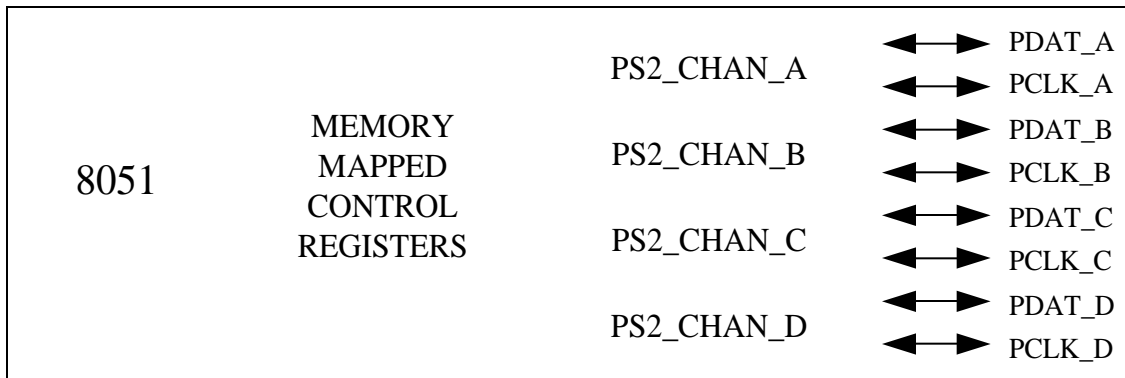


FIGURE 52 – SMSC PS/2 LOGIC BLOCK DIAGRAM

17.2 PS/2 DATA FRAME

Data transmissions to and from the auxilliary device connector on each PS/2 channel consist of an 11-bit data stream sent serially over the data line. The following figure shows the function of each bit.

Start Bit Always 0	8 data bits, least sig bit first	Parity Bit Odd on xmit Prog. on rec.	Stop Bit High on xmit Prog. on rec.
-----------------------	----------------------------------	--	---

FIGURE 53 - PS/2 DEVICE DATA STREAM BIT DEFINITIONS

17.3 SMSC PS/2 MEMORY MAPPED CONTROL REGISTERS

Each SMSC PS/2 channel has a separate set of identical control registers: Transmit, Receive, Control, and Status. These are shown in Table 101 between addresses 0x7F41 and 0x7F4F. The transmit and receive register share the same address (ie. . PS/2 Chan A Tx/Rx) In addition one register is shared by all four channels to provide RX_Busy indicators.

17.3.1 SMSC PS/2 TRANSMIT REGISTERS

The byte written to this register, when PS2_T/R, PS2_EN, and XMIT_IDLE are set, is transmitted automatically by the PS/2 channel control logic. If any of these three bits (PS2_T/R, PS2_EN, and XMIT_IDLE) are not set, then writes to this register are ignored. On successful completion of this transmission or upon a Transmit Time-out condition the PS2_T/R bit is automatically cleared and the XMIT_IDLE bit is automatically set. The PS2_T/R bit must be written to a '1' before initiating another transmission to the remote device.

Notes:

Even if PS2_T/R, PS2_EN, and XMIT_IDLE are all set, writing the Transmit Register will not kick off a transmission if RDATA_RDY is set. The automatic PS2 logic forces data to be read from the Receive Register before allowing a transmission.

An interrupt is generated on the low to high transition of XMIT_IDLE.

All bits of this register are write only.

17.3.2 SMSC PS/2 RECEIVE REGISTERS

When PS2_EN=1 and PS2_T/R=0 the PS2 Channel is set to automatically receive data on that channel (both the CLK and DATA lines will float waiting for the peripheral to initiate a reception by sending a start bit followed by the data bits). After a successful reception data is placed in this register and the RDATA_RDY bit is set and the CLK line is forced low by the PS2 channel logic. RDATA_RDY is cleared and the CLK line is released to hi-z following a read of this register. This automatically holds off further receive transfers until the 8051 has had a chance to get the data.

Notes:

- 1) The Receive Register is initialized to 0xFF after a read or after a Timeout has occurred.
- 2) The channel can be enabled to automatically transmit data (PS2_EN=1) by setting PS2_T/R while RDATA_RDY is set, however a transmission can not be kicked off until the data has been read from the Receive Register.
- 3) An interrupt is generated on the low to high transition of RDATA_RDY.
- 4) If a receive timeout (REC_TIMEOUT=1) or a transmit timeout (XMIT_TIMEOUT=1) occurs the channel is busied (CLK held low) for 300us (Hold Time) to guarantee that the peripheral aborts. Writing to the Transmit Register will be allowed, however the data written will not be transmitted until the Hold Time expires.
- 5) All bits in this register are read only.

17.3.3 SMSC PS/2 CONTROL REGISTERS

Table 186 - SMSC PS/2 Control Registers (A - D)

HOST ADDRESS	-
8051 ADDRESS	0x7F42 (CHAN A), 0x7F46 (CHAN B), 0x7F4A (CHAN C), 0x7F4E (CHAN D)
POWER	VCC2
DEFAULT	0x40

	D7	D6	D5	D4	D3	D2	D1	D0
HOST TYPE	-	-	-	-	-	-	-	-
8051 TYPE	R/W	R/W	R/W	R/W	R/W	R/W	R/W	R/W
BIT NAME	WR_CLK	WR_DATA	STOP		PARITY		PS2_EN	PS2_T/R

Default = 0x40 on VCC2 POR only.

Note: There are four PS/2 Control Registers, one for each channel.

PS2_T/R

PS/2 Channel Transmit/Receive (default = 0). This bit is only valid when PS2_EN=1 and sets the PS2 logic for automatic transmission or reception when PS2_T/R equals '1' or '0' respectively.

When set the PS/2 channel is enabled to transmit data. To properly initiate a transmit operation this bit must be set prior to writing to the Transmit Register; writes are blocked to the Transmit Register when this bit is not set. Upon setting the PS2_T/R bit the channel will drive its CLK line low and then float the DATA line and hold this state until a write occurs to the Transmit Register or until the PS2_T/R bit is cleared. Writing to the Transmit Register initiates the transmit operation. LPC47N252 drives the data line low and, within 80ns, floats the clock line (externally pulled high by the pull-up resistor) to signal to the external PS/2 device that data is now available. The PS2_T/R bit is cleared on the 11th clock edge of the transmission or if a Transmit Timeout error condition occurs. NOTE: if the PS2_T/R bit is set while the channel is actively receiving data prior to the leading edge of the 10th (parity bit) clock edge the receive data is discarded. If this bit is not set prior to the 10th clock signal then the receive data is saved in the Receive Register.

When the PS2_T/R bit is cleared the PS/2 channel is enabled to receive data. Upon clearing this bit, if RDATA_RDY=0, the channel's CLK and DATA will float waiting for the external PS/2 device to signal the start of a transmission. If the PS2_T/R bit is set while RDATA_RDY=1 then the channel's DATA line will float but its CLK line will be held low, holding off the peripheral, until the Receive Register is read.

PS2_EN

PS2 Channel ENable (default = 0). When PS2_EN=1 the PS/2 State machine is enabled allowing the channel to perform automatic reception or transmission depending on the bit value of PS2_T/R. When PS2_EN = 0, the channel's automatic PS/2 state machine is disabled and the channel can be bit-banged through the WR_DATA and WR_CLK bits in the Control Register and the RD_DATA and RD_CLK bits in the Status Register. Thus, when PS2_En=0, the channel's CLK and DATA lines are forced to the level specified in the Control Register WR_CLK and WR_DATA bits.

Note: If the PS2_EN bit is cleared prior to the leading edge (falling edge) of the 10th (parity bit) clock edge the receive data is discarded (RDATA_RDY remains low). If the PS2_EN bit is cleared following the leading edge of the 10th clock signal then the receive data is saved in the Receive Register (RDATA_RDY goes high) assuming no parity error.

PROGRAMMERS NOTE:

To abort a transfer from the peripheral the WR_CLK and PS2_EN bits can be set low simultaneously and held for at least 300us.

PARITY

Bits [3:2] of the Control Register are used to set the parity expected by the PS/2 channel state machine. These bits are therefore only valid when PS2_EN=1.

Bits[3:2] = 00 : Receiver expects Odd Parity (default).

= 01: Receiver expects Even Parity.

= 10: Receiver ignores level of the parity bit (10th bit is not interpreted as a parity bit).

= 11: Reserved.

STOP

Bits [5:4] of the Control Register are used to set the level of the stop bit expected by the PS/2 channel state machine. These bits are therefore only valid when PS2_EN=1.

Bits[5:4] = 00 : Receiver expects an active high stop bit.

= 01: Receiver expects an active low stop bit.

= 10: Receiver ignores the level of the Stop bit (11th bit is not interpreted as a stop bit).

= 11: Reserved.

WR_DATA

Write DATA bit: When PS2_EN=1, writes to the WR_DATA bit are accepted but result in no action other than setting or clearing this bit. When PS2_EN=0, setting this bit to a 1 or 0 either floats or drives low the PS/2 channel's Serial DATA pin. This bit is used for transmitting bit-banged data over the PS2 channel. Bit-banging of the PS/2 channel is enabled when PS2_EN= 0.

Note: While the Hold timeout is in effect (300us following a Receive or Transmit Timeout) writes to this bit are blocked.

WR_CLK

Write CLK bit: When PS2_EN=1, writes to the WR_CLK bit are accepted but result in no action other than setting or clearing this bit. When PS2_EN=0, setting this bit to a 1 or 0 either floats or drives low the PS/2 channel's Serial CLK pin. Bit-banging of the PS/2 channel is enabled when the PS2_EN bit is set to 0.

Note: While the Hold timeout is in effect (300us following a Receive or Transmit Timeout) writes to this bit are blocked.

Note: When PS2_EN = 0, high to low transitions on the CLK pin caused by the peripheral will generate a PS2 Chan interrupt. A timeout event or writing this bit low will not cause an interrupt.

The default for the WR_DATA bit D6 in the four SMSC PS/2 Control Registers is "1". The default in earlier devices is "0" (TABLE 186). The VCC2 Power-on Default for each Control Register is 40h.

17.3.4 SMSC PS/2 STATUS REGISTERS

Table 187 - SMSC PS/2 STATUS Registers (A - D)

HOST ADDRESS	-
8051 ADDRESS	0x7F43 (CHAN A), 0x7F47 (CHAN B), 0x7F4B (CHAN C), 0x7F4F (CHAN D)
POWER	VCC2
DEFAULT	0x00

	D7	D6	D5	D4	D3	D2	D1	D0
HOST TYPE	-	-	-	-	-	-	-	-
8051 TYPE	R	R	R	R	R	R	R	R
BIT NAME	RD_CLK	RD_DATA	XMIT_TIMEOUT	XMIT_IDLE	FE	PE	REC_TIMEOUT	RDAT_RDY

Default = 0x40 on VCC2 POR only.

Note: There are four PS/2 Status Registers, one for each channel.

Note: XMIT_TIMEOUT, FE, PE, REC_TIMEOUT, RDATA_RDY are cleared to zero upon a read of this register.

RDATA_RDY

Receive Data Ready: Under normal operating conditions, this bit is set following the falling edge of the 11th clock given successful reception of a data byte from the PS/2 peripheral (i.e., no parity, framing, or receive timeout errors) and indicates that the received data byte is available to be read from the Receive Register. This bit may also be set in the event that the PS2_EN bit is cleared following the 10th CLK edge (see the PS2_EN bit description for further details). Reading the Receive Register clears this bit.

Note: An Interrupt is generated on the low to high transition of the RDATA_RDY bit.

REC_TIMEOUT

Under PS2 automatic operation, PS2_EN=1, this bit is set on one of 4 receive error conditions, and in addition the channel's CLK line is automatically pulled low and held for a period of 300us following assertion of the REC_TIMEOUT bit :

When the receiver bit time (time between falling edges) exceeds 300us.

If the time from the 1st (start) bit to the 10th (parity) bit exceeds 2ms.

On a receive parity error along with the parity error (PE) bit.

On a receive framing error due to an incorrect STOP bit along with the framing error (FE) bit.

The REC_TIMEOUT bit is cleared when the Status Register is read.

Note: An Interrupt is generated on the low to high transition of the REC_TIMEOUT bit.

PE

Parity Error: When receiving data the parity bit is clocked in on the falling edge of the 10th CLK edge. If the channel has been set to expect either even or odd parity and the 10th bit is contrary to the expected parity, then the PE and REC_TIMEOUT bits are set following the falling edge of the 10th CLK edge and an Interrupt is generated.

FE

Framing Error: When receiving data the stop bit is clocked in on the falling edge of the 11th CLK edge. If the channel has been set to expect either a high or low stop bit and the 11th bit is contrary to the expected stop polarity, then the FE and REC_TIMEOUT bits are set following the falling edge of the 11th CLK edge and an Interrupt is generated.

XMIT_IDLE

Transmitter Idle: When low, the XMIT_IDLE bit is a status bit indicating that the PS2 channel is actively transmitting data to the PS2 peripheral device. Writing to the Transmit Register when the channel is ready to transmit will cause the XMIT_IDLE bit to deassert and remain deasserted until one of the following conditions occur:

The falling edge of the 11th CLK; upon a Transmit Timeout condition (XMIT_TIMEOUT goes high);

Upon the PS2_T/R bit being written to 0;

Upon the PS2_EN bit being written to 0.

Note: An interrupt is generated on the low to high transition of XMIT_IDLE.

XMIT_TIMEOUT

This bit is set on one of 3 transmit conditions, and in addition the channel's CLK line is automatically pulled low and held for a period of 300us following assertion of the XMIT_TIMEOUT bit during which time the PS2_T/R is also held low:

When the transmitter bit time (time between falling edges) exceeds 300us.

When the transmitter start bit is not received within 25ms from signaling a transmit start event.

If the time from the 1st (start) bit to the 10th (parity) bit exceeds 2ms.

RD_DATA

Read DATA bit: Reading this bit returns the current level of the PS2 channel's Serial DATA pin. This bit is used for receiving bit-banged data over the PS2 channel. Bit-banging of the PS2 channel is enabled when the PS2_EN bit is set to 0. To receive data properly using this bit, PS2_EN must be set to 0 and the WR_DATA bit in the PS2 Channel's Control Register must be set to 1.

RD_CLK

Read CLK bit: Reading this bit returns the current level of the PS2 channel's Serial CLK pin. This bit is used when receiving bit-banged data over the PS2 channel. Bit-banging of the PS2 channel is enabled when the PS2_EN bit is set to 0. To receive bit banded data properly the PS2_EN must be set to 0 and the WR_CLK bit in the PS2 Channel's Control Register must be set to 1.

Note: When PS2_EN = 0, high to low transitions on the CLK pin will generate a PS2 Chan interrupt. A timeout event or writing this bit low will not cause an interrupt.

Note: When PS2_EN=1, bit-banging is disabled for any of the following 3 conditions:
Time-out is active.

300us following a time-out (Hold Time).

RDATA_RDY = 1.

17.3.5 SMSC PS/2 STATUS_2 REGISTERS

The PS/2_STATUS_2 Register supports the RX_Busy indicators for each of the four PS/2 Channels (A - D) When a RX_BUSY bit is set the associated channel is actively receiving PS/2 data; when a RX_BUSY bit is clear the channel is idle.

Table 188 - SMSC PS/2_Status_2 Register

HOST ADDRESS	-
8051 ADDRESS	0x7F48
POWER	VCC2
DEFAULT	0x00

	D7	D6	D5	D4	D3	D2	D1	D0
HOST TYPE	-	-	-	-	-	-	-	-
8051 TYPE	R	R	R	R	R	R	R	R
BIT NAME	Reserved	RX_BUSY D	Reserved	RX_BUSY C	Reserved	RX_BUSY B	Reserved	RX_BUSY A

PROGRAMMER'S NOTE: Always check that an SMSC PS/2 channel is idle, i.e. the RX_BUSY bit is "0", before attempting to transmit on that channel. Receive data may or may not be lost by setting an SMSC PS/2 channel to transmit while the RX_BUSY bit is asserted depending where in the message frame the transmit mode change occurs.

17.4 DEVIL LOGIC OVERVIEW

The Devil PS/2 logic allows the host to communicate to any serial auxiliary devices compatible with the PS/2 interface through any one of four ports: EM, KB, IM and PS2. There are two identical PS/2 channels, each containing a set of five operating registers. Channel 1 (PS/2 Port 1) consists of ports EM and KB and channel 2 (PS/2 Port 2) consists of ports IM and PS2. The LPC47N252 latches data on the high to low transition of the clock.

17.5 THE DEVIL PS/2 LOGIC COMMANDS

The Devil PS/2 logic supports three commands: Transmit, Receive, and Inhibit.

Notes:

The hardware state machine requires that you read any pending command response byte from the input register before you send an Inhibit command to the device. Since only one response byte is allowed to be automatically received, there is no need to inhibit the port before you read the response.

After sending a Transmit or Receive command to the Control register, do not read the status register until the PS/2 Interrupt Flag is set. If you read the status register to check the BUSY bits, the bit counter will reset and you will either get receive time-outs (all bits not received within 2 ms), or you will get parity errors. If there is a receive error, the BUSY bit can be used to determine which device was sending when the error occurred. If there is a transmit error, the ENABLE bit in the Control register can be used to determine which device was selected.

If your PS/2 code is interrupt driven, is best to send the inhibit command while the interrupts are enabled so any byte being received can finish and get picked up by the interrupt handler. This is necessary because a receive may have been in progress when the Inhibit command was issued, and a receive will complete if the parity bit is reached.

If there is a Request To Send (RTS) time-out or other condition which results in no byte being received from the DEVIL PS/2 device, there will be no device 'data ready' flag set in the status register. It will be necessary to read the device enable bits in the status register, or use some other means of tracking.

17.5.1 THE DEVIL PS/2 LOGIC TRANSMIT COMMAND

The Devil PS/2 serial protocol requires that the auxiliary device respond to all transmissions that it receives. The response is usually a 0xFA, 0xFE, 0xFC or 0xEE. The response is stored in the DEVIL PS/2 ports RECEIVE register. Thus, after each transmission the RECEIVE register should contain some response byte.

When sending a byte to a DEVIL PS/2 device, Two writes to the control register are required to avoid race conditions: first the device select bit(s) (bits[4:3]) in the control register must be set, clearing the command bits[2:0]; then another write to the control register selecting ONE command, and preserving the device select bits. The DEVIL PS/2 logic will assume that the byte being sent is a 'command', and will automatically go into receive mode for a single response byte. The DEVIL PS/2 logic must be placed into receive mode to receive additional response bytes. An error will be reported if the device does not start clocking out the command byte within 15 ms, or if the device does not send a response within 32 ms of receiving the command. The DEVIL PS/2 logic will cause an interrupt after the response byte is received, or if there is a send or receive time-out.

The DEVIL PS/2 logic drives the clock line low and then floats the data line when the port is selected to transmit. Writing to the TRANSMIT register initiates the transmit operation. The data line is driven low and, within 80ns, the clock line is floated (externally pulled high by the pull-up resistor). The auxiliary device recognizes this as the start bit, and responds by providing the eleven clocks (each clock corresponds to a bit). The Logic provides a 3.2 μ S bit hold time. If the auxiliary device did not respond within 15 mS after the start bit, transmit is terminated and ERROR bit of the STATUS register and the RTSTIMOUT bit of the ERROR register are set. The auxiliary device has 2 ms to complete the transmission or the DEVIL PS/2 logic will set the ERROR bit of the STATUS register and the XMTTIMOUT bit of the ERROR register. If the transmission is successful, the clock and data lines are floated waiting for the auxiliary device to send the response packet. If the first byte of the response packet is not received within 32 mS, the ERROR bit of the STATUS register is set, the RESTIMOUT bit of the ERROR register is set. If, on the other hand, the response packet is received and there are no errors, the DEVIL PS/2 logic sets the READY bit of the STATUS register, clears the ERROR bit of the STATUS register, and clears the ERROR register. The RECEIVE register contains the received response byte.

17.5.2 THE DEVIL PS/2 LOGIC RECEIVE COMMAND

When receiving scan codes or mouse packets, select one or both DEVIL PS/2 devices in the Control register (bits[4:3]), clearing the command bits[2:0]. Then do another write setting the Receive command bit while preserving the device select bits. The DEVIL PS/2 logic will only let one device send at a time (whichever starts sending first), and will cause an interrupt for each received byte. Reading the byte from the Receive register causes the DEVIL PS/2 logic to go into receive mode again.

The DEVIL PS/2 logic floats the DEVIL PS/2 port's clock and data line when the port is selected to receive. The auxiliary device initiates the transfer by driving the data line low and 12 μ S later driving the clock low. The DEVIL PS/2 Logic recognizes this as a start bit and sets the BUSY bit. The auxiliary device proceeds by transmitting ten more bits to the DEVIL PS/2 logic. The DEVIL PS/2 Logic latches the data on the high to low transition of the clock. After the stop bit, the DEVIL PS/2 Logic clears the BUSY bit and drives the clock line low until the RECEIVE register is read by the 8051. If there is no error in the transfer, the DEVIL PS/2 logic sets the READY bit of the STATUS register, clears the ERROR bit of STATUS register, and clears the ERROR register. If, however, the receive operation does not complete in 2 ms of receiving a start bit, the ERROR bit of the STATUS register is set together with the RECTIMOUT bit of the ERROR register, and the READY bit is not set.

Note that the logic can be left in receive mode indefinitely and is normally used to receive keyboard scan codes and mouse packets.

17.5.3 THE DEVIL PS/2 LOGIC INHIBIT COMMAND

When you abort a transmission from a DEVIL PS/2 device, it is necessary to hold the clock line low for at least 100 us in order for the device to note that the transmission has been aborted. This 100 us low clock time is called a device 'Inhibit'. When you want to perform the Inhibit command, select one or both DEVIL PS/2 devices in the Control register, clearing the command bits. Then do another write setting the Inhibit command bit while preserving the device select bits. The DEVIL PS/2 logic will hold the device clock lines low and count down 100 us, then it will generate an interrupt to indicate that the time-out is over. The interrupt handler should then clear the Inhibit command bit in the Control register. After an Inhibit, the device clock lines will remain low until the next Transmit or Receive command.

Note that if the device is receiving a byte when the Inhibit command is sent, and the parity bit has already been started, the device will complete the receipt and set the READY bit before the inhibit takes effect, so it is necessary to check for data even when the INHIBIT DONE bit is set.

17.6 DEVIL PS/2 MEMORY MAPPED CONTROL REGISTERS

Each Devil PS/2 channel has a separate set of identical control registers: Control, Status, Error Status, Transmit, and Receive. These are shown in Table 101 between addresses 0x7F41 and 0x7F4F.

17.6.1 DEVIL PS/2 CONTROL REGISTERS

Table 189 – Devil PS/2 Control Registers (Port1 & Port2)

HOST ADDRESS	-
8051 ADDRESS	0x7F41 (PORT 1), 0x7F49 (PORT 2),
POWER	VCC2
DEFAULT	0x00

	D7	D6	D5	D4	D3	D2	D1	D0
HOST TYPE	-	-	-	-	-	-	-	-
8051 TYPE	R	R	R	R/W	R/W	R/W	R/W	R/W
BIT NAME Port1 (Port2)	Reserved	Reserved	Reserved	EM_EN (IM_EN)	KB_EN (PS2_EN)	Inhibit	RX_EN	TX_EN

Table 190 - PS/2 Port1 (Port2) Control Register Operation

INHIBIT	RX_EN	TX_EN	EM_EN (IM_EN)	KB_EN (PS2_EN)	OPERATION STATUS
0	0	1	0	1	Transmission sent to Keyboard, echo cmd received
0	0	1	1	0	Transmission sent to Ext Mouse, echo cmd rcvd
0	0	1	1	1	Transmission inhibited, RTS_timeout error, (illegal state)
0	1	0	0	1	Data received from Keyboard, Transmission initiated by Keyboard.
0	1	0	1	0	Data received from Mouse, Transmission initiated by Mouse.
0	1	0	1	1	Data received from Keyboard and Mouse, transmissions are initiated by Keyboard and Mouse and interlaced to PS/2 Port1 receive register.
1	X	X	X	X	EM and KB PS/2 interfaces are disabled. Data written to the PS2 Port1 transmit register is not transmitted and no data is received from the external Mouse or Keyboard.

Notes:

- 1) The operation of the PS/2 Port2 control register is similar for the IM and PS/2 devices.
- 2) Only one of bits D2-D0 can be set to one.

17.6.2 DEVIL PS/2 STATUS REGISTERS

Table 191 – Devil PS/2 STATUS Registers (Port1 & Port2)

HOST ADDRESS	-
8051 ADDRESS	0x7F42 (PORT 1), 0x7F4A (PORT 2),
POWER	VCC2
DEFAULT	0x40

	D7	D6	D5	D4	D3	D2	D1	D0
HOST TYPE	-	-	-	-	-	-	-	-
8051 TYPE	R	R	R	R	R	R	R	R
BIT NAME	Reserved	Reserved	EM_busy (IM_busy)	KB_busy (PS2_busy)	Inhibit done	EM_drdy (IM_drdy)	KB_drdy (PS2_drdy)	Error

Error

This bit is set in the event of a transmit or receive error condition on either the EM or KB PS/2 ports or the IM or PS/2 ports. The cause of the error can be determined by reading the PS/2 Port1 or PS/2 Port2 Status register.

KB_drdy

This bit is set if KB_EN is set and a character has been received successfully from the PS/2 KB port. This bit is cleared when the data has been read from the PS/2 Port1 Receive register.

EM_drdy

This bit is set if EM_EN is set and a character has been received successfully from the PS/2 EM port. This bit is cleared when the data has been read from the PS/2 Port1 Receive register.

PS2_drdy

This bit is set if PS2_EN is set and a character has been received successfully from the PS/2 port. This bit is cleared when the data has been read from the PS/2 Port2 Receive register.

IM_drdy

This bit is set if IM_EN is set and a character has been received successfully from the PS/2 IM port. This bit is cleared when the data has been read from the PS/2 Port2 Receive register.

Inhibit done

This bit is set when the INHIBIT bit of the CONTROL register was set and the 100 uS inhibit sequence has finished.

KB_busy

This bit is set when the PS/2 KB port is actively receiving a character.

EM_busy

This bit is set when the PS/2 EM port is actively receiving a character.

PS2_busy

This bit is set when the PS/2 port is actively receiving a character.

IM_busy

This bit is set when the PS/2 IM port is actively receiving a character.

Note:

- 1) On receive the BUSY bit is set while receiving the first data bit and cleared while receiving the parity bit. On transmit, the BUSY bit is not set at all.
- 2) The operation of the PS/2 Port2 status register is similar for the IM and PS/2 devices.

17.6.3 DEVIL PS/2 ERROR STATUS

Table 192 – Devil PS/2 ERROR STATUS Registers (Port1 & Port2)

HOST ADDRESS	-
8051 ADDRESS	0x7F43(PORT 1), 0x7F4B(PORT 2),
POWER	VCC2
DEFAULT	0x00

	D7	D6	D5	D4	D3	D2	D1	D0
HOST TYPE	-	-	-	-	-	-	-	-
8051 TYPE	R	R	R	R	R	R	R	R
BIT NAME	Reserved	Reserved	Reserved	Parity	RES_timeout	REC_timeout	RTS_timeout	XMT_timeout

XMT_timeout

(Transmit_timeout) is set when the device fails to clock out a command within 2ms of clocking out the start bit.

RTS_timeout

(ReadyToSend_timeout) is set when the device fails to start clocking out the command within 15 ms.

REC_timeout

(RECEiver_timeout) is set when the device does not finish sending a byte within 2 ms of sending the start bit.

RES_timeout

(RESponse_timeout) is set when the response to a command is not received within 32 ms.

Parity

The PS/2 ports use Odd parity, in the event of a receive parity error this bit is set.

17.6.4 DEVIL PS/2 TRANSMIT REGISTERS

Table 193 – Devil PS/2 TRANSMIT Registers (Port1 & port2)

HOST ADDRESS	-
8051 ADDRESS	0x7F44(PORT 1), 0x7F4C(PORT 2),
POWER	VCC2
DEFAULT	0x00

The byte written to the PS/2 Port1(Port2) Transmit register is immediately transmitted onto the enabled PS/2 Port1/Port2 provided that the PS/2 Port1(Port2) Inhibit bit is not set and that both PS/2 Port1and Port2 devices are not enabled for transmit at the same time. This register is write only.

17.6.5 DEVIL PS/2 RECEIVE REGISTERS

Table 194 – Devil PS/2 RECEIVE Registers (Port1 & Port2)

HOST ADDRESS	-
8051 ADDRESS	0x7F45(PORT 1), 0x7F4D(PORT 2),
POWER	VCC2
DEFAULT	0x00

If KB_EN, and/or EM_EN is set and PS/2 Port1 RX_EN is set any successfully received characters over the KB and/or the EM PS/2 Port are placed into this register and the EM_drdy or KB_drdy PS/2 Port1 status bit is set. Similarly, if PS2_EN and/or IM_EN is set and PS/2 Port2 RX_EN is set any successfully received characters over the PS2 and/or IM PS2 Ports are placed into this register and the PS2_drdy or IM_drdy PS/2 Port2 status bit is set.

18 ACCESS.BUS

18.1 OVERVIEW

The LPC47N252 supports ACCESS.Bus. ACCESS.Bus is a serial communication protocol between a computer host and its peripheral devices. It provides a simple, uniform and inexpensive way to connect peripheral devices to a single computer port. A single ACCESS.Bus controller on a host can accommodate up to 125 peripheral devices.

The ACCESS.Bus protocol includes a physical layer and several software layers. The software layers include the base protocol, the device driver interface, and several specific device protocols.

The LPC47N252 implements two ACCESS.Bus controllers (ACCESS.Bus 1 Controller and ACCESS.Bus 2 Controller). Each controller, through a multiplexer, can drive two independent sets of Clock and Data pins, as shown in FIGURE 54 - ACCESS.BUS CONTROLLERS.

Four ACCESS.Bus 2 controller pins, AB2A_DATA, AB2A_CLK, AB2B_DATA and AB2B_CLK are multiplexed on GPIO11 through GPIO14. For information regarding multiplexed ACCESS.Bus pins see Table 4 - Alternate Function Pins on page 15 and section 25.5, Multiplexing_3 Register - MISC[23:17] on page 267.

The ACCESS.Bus interface is fully and directly controlled by the on-chip 8051 through its set of on-chip memory mapped control registers. The ACCESS.Bus logic is based on the 8584 Style Physical Layer controller. Addresses for the registers are shown in Table 195 - ACCESS.Bus Register Address Summary. The ACCESS.Bus logic is powered on the VCC1 powerplane and clocked by the 8051 clock to provide the ability to wake-up the 8051 on an ACCESS.Bus event. When a wakeup event occurs there is a 6_s max. delay before the ring oscillator starts and an ACCESS.Bus event can be detected. This limits the ACCESS, Bus Master Operating Frequency for wakeup events to 60 KHz. Once the ring oscillator is running the ACCESS, Bus Operating Frequency is a full 100 KHz.

For a description of the ACCESS.Bus protocol, please refer to the [ACCESS.Bus Specifications Version 2.2, February 1994](#), available from the ACCESS.Bus Industry Group (ABIG).

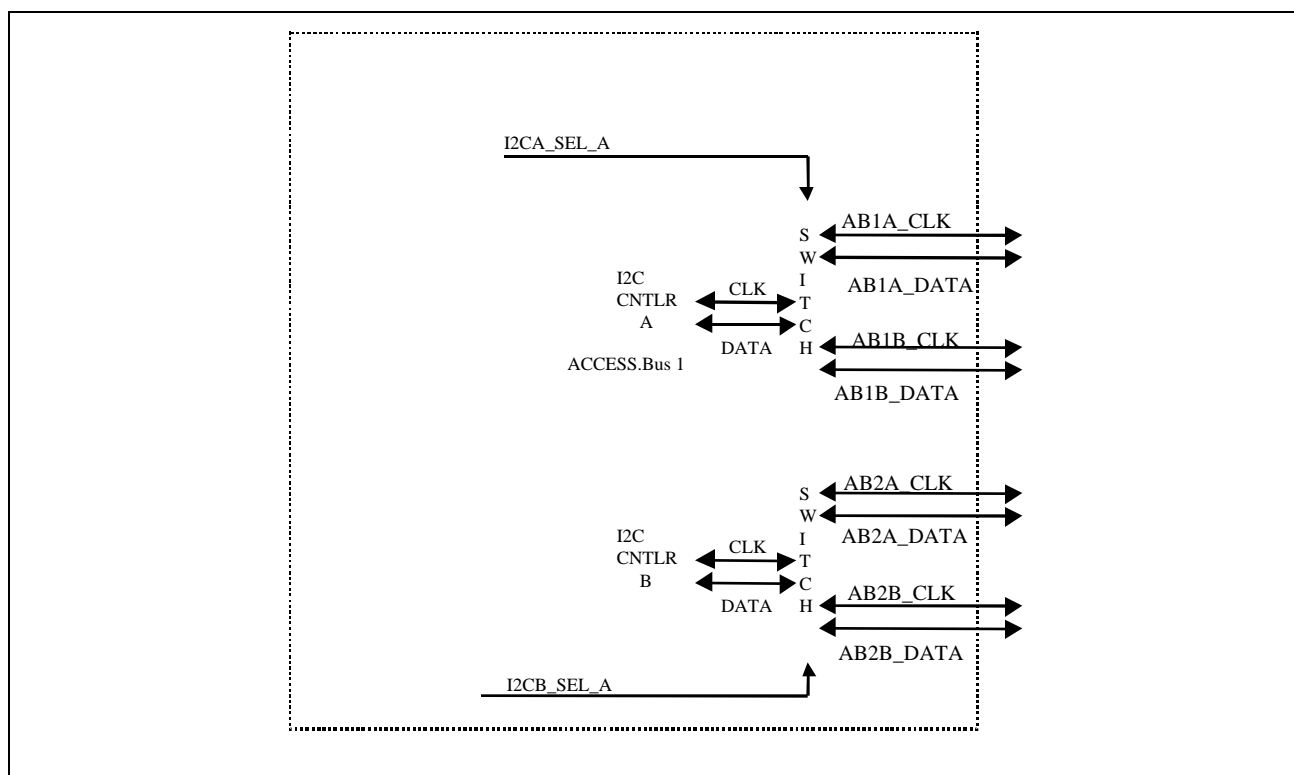


FIGURE 54 - ACCESS.BUS CONTROLLERS

Table 195 - ACCESS.Bus Register Address Summary

ADDRESS (Note 1)	REGISTER ACCESS	REGISTER NAME
7F31h	W	ACCESS.Bus 1 Control
7F31h	R	ACCESS.Bus 1 Status
7F32h	R/W	ACCESS.Bus 1 Own Address
7F33h	R/W	ACCESS.Bus 1 Data
7F34h	R/W (Note 2)	ACCESS.Bus 1 Clock
7F67h	W	ACCESS.Bus 2 Control
7F67h	R	ACCESS.Bus 2 Status
7F68h	R/W	ACCESS.Bus 2 Own Address
7F69h	R/W	ACCESS.Bus 2 Data
7F6Ah	R/W (Note 2)	ACCESS.Bus 2 Clock
7F89h	R/W (Note 3)	ACCESS.Bus Switch

Note 1: These Registers are only directly accessible by the 8051 and reside within the 8051's external Memory Mapped Data address space.

Note 2: Bits 2 through 6 are read only reserved.

Note 3: Bits 2 through 7 are read only reserved.

18.2 ACCESS.BUS REGISTER DESCRIPTIONS

Each ACCESS.Bus controller has five internal registers. Two of these, Own Address Register and Clock Register, are used for initialization of the controller. Normally they are only written once directly after resetting of the chip. The other registers, Data Register, Control Register and Status Register are used during actual data transmission/reception. The Control Register and Status Register are accessed at the same location. The Data Register performs all serial-to-parallel interfacing with the ACCESS.Bus interface. The Status Register contains ACCESS.Bus status information required for bus access and/or monitoring.

The ACCESS.Bus Switch Register is used to select one of two sets of Clock and Data pins for each controller.

18.2.1 ACCESS.BUS CONTROL REGISTER

Table 196 - ACCESS.Bus Control Register

HOST ADDRESS	N/A
8051 ADDRESS	Access.Bus 1 = 0x7F31 Access.Bus 2 = 0x7F67
POWER	VCC1
DEFAULT	0x00

	D7	D6	D5	D4	D3	D2	D1	D0
HOST TYPE	-	-	-	-	-	-	-	-
8051 TYPE	W	W	W	W	W	W	W	W
BIT NAME	PIN	ESO	Reserved	Reserved	ENI	STA	STO	ACK

BIT 7 - PIN

Pending Interrupt Not. Writing the PIN bit to a logic "1" deasserts all status bits except for the nBB (Bus Busy); nBB is not affected. The PIN bit is a self-clearing bit. Writing this bit to a logic "0" has no effect. This may serve as a software reset function.

BIT 6 - ESO

Enable Serial Output. ESO enables or disables the serial ACCESS.Bus I/O. When ESO is high, ACCESS.Bus communication is enabled; communication with the Data Register is enabled and the Status Register bits are made available for reading. With ESO = 0 bits ENI, STA, STO and ACK of the Control Register can be read for test purposes.

BIT 5 and 4 Reserved

BIT 3 - ENI

This bit enables the internal interrupt, nINT, which is generated when the PIN bit is active (logic 0).

BIT 2 and 1 - STA and STO

These bits control the generation of the ACCESS.Bus Start condition and transmission of slave address and R/nW bit, generation of repeated Start condition, and generation of the STOP condition (see TABLE 197).

Table 197 - Instruction Table For Serial Bus Control

STA	STO	PRESENT MODE	FUNCTION	OPERATION
1	0	SLV/REC	START	Transmit START+address, remain MST/TRM if R/nW=0; go to MST/REC if R/nW=1.
1	0	MST/TRM	REPEAT START	Same as for SLV/REC
0	1	MST/REC; MST/TRM	STOP READ; STOP WRITE	Transmit STOP go to SLV/REC mode; Note 1
1	1	MST	DATA CHAINING	Send STOP, START and address after last master frame without STOP sent; Note 2
0	0	ANY	NOP	No operation; Note 3

Note 1: In master receiver mode, the last byte must be terminated with ACK bit high ('negative acknowledge').

Note 2: If both STA and STO are set high simultaneously in master mode, a STOP condition followed by a START condition + address will be generated. This allows 'chaining' of transmissions without relinquishing bus control.

Note 3: All other STA and STO mode combinations not mentioned in Table 192 are NOPs.

BIT 0 - ACK

This bit must be set normally to logic "1". This causes the ACCESS.Bus to send an acknowledge automatically after each byte (this occurs during the 9th clock pulse). The bit must be reset (to logic "0") when the ACCESS.Bus controller is operating in master/receiver mode and requires no further data to be sent from the slave transmitter. This causes a negative acknowledge on the ACCESS.Bus, which halts further transmission from the slave device.

18.2.2 ACCESS.BUS STATUS REGISTER

Table 198 - ACCESS.Bus Status Register

HOST ADDRESS	N/A
8051 ADDRESS	ACCESS.Bus 1 = 0x7F31 ACCESS.Bus 2 = 0x7F67
POWER	VCC1
DEFAULT	0x00

	D7	D6	D5	D4	D3	D2	D1	D0
HOST TYPE	-	-	-	-	-	-	-	-
8051 TYPE	R	R	R	R	R	R	R	R
BIT NAME	PIN	Reserved	STS	BER	LRB/AD0	AAS	LAB	nBB

BIT 7 - PIN

Pending Interrupt Not. This bit is a status flag which is used to synchronize serial communication and is set to logic "0" whenever the chip requires servicing. The PIN bit is normally read in polled applications to determine when an ACCESS.Bus byte transmission/reception is completed.

When acting as transmitter, PIN is set to logic "1" (inactive) each time the Data Register is written. In receiver mode, the PIN bit is automatically set to logic "1" each time the Data Register is read.

After transmission or reception of one byte on the ACCESS.Bus (nine clock pulses, including acknowledge) the PIN bit will be automatically reset to logic "0" (active) indicating a complete byte transmission/reception. When the PIN bit is subsequently set to logic "1" (inactive) all status bits will be reset to "0" on a BER (bus error) condition.

In polled applications, the PIN bit is tested to determine when a serial transmission/reception has been completed. When the ENI bit (bit 3 of the Control Register) is also set to logic "1" the hardware interrupt is enabled. In this case, the PI flag also triggers and internal interrupt (active low) via the nINT output each time PIN is reset to logic "0".

When acting as a slave transmitter or slave receiver, while PIN = "0", the chip will suspend ACCESS.Bus transmission by holding the SCL line low until the PIN bit is set to logic "1" (inactive). This prevents further data from being transmitted or received until the current data byte in the Data Register has been read (when acting as slave receiver) or the next data byte is written to the Data Register (when acting as slave transmitter).

PIN Bit Summary:

The PIN bit can be used in polled applications to test when a serial transmission has been completed. When the ENI bit is also set, the PIN flag sets the internal interrupt via the nINT output.

In transmitter mode, after successful transmission of one byte on the ACCESS.Bus the PIN bit will be automatically reset to logic "0" (active) indicating a complete byte transmission.

In transmitter mode, PIN is set to logic "1" (inactive) each time the Data Register is written.

In receiver mode, PIN is set to logic "0" (inactive) on completion of each received byte. Subsequently, the SCL line will be held low until PIN is set to logic "1".

In receiver mode, when the Data Register is read, PIN is set to logic "1" (inactive).

In slave receiver mode, an ACCESS.Bus STOP condition will set PIN=0 (active).

PIN=0 if a bus error (BER) occurs.

BIT 6 - Reserved (Read returns 0)

BIT 5 - STS

When in slave receiver mode, this flag is asserted when an externally generated STOP condition is detected (used only in slave receiver mode).

BIT 4 - BER

Bus error; a misplaced START or STOP condition has been detected. Resets nBB (to logic "1"; inactive), sets PIN = "0" (active).

BIT 3 - LRB/AD0

Last Received Bit or Address 0 (general call) bit. This status bit serves a dual function, and is valid only while PIN=0.

LRB holds the value of the last received bit over the ACCESS.Bus while AAS=0 (not addressed as slave). Normally this will be the value of the slave acknowledgment; thus checking for slave acknowledgment is done via testing of the LRB.

When AAS = 1 (Addressed as slave condition) the ACCESS.Bus controller has been addressed as a slave. Under this condition, this bit becomes the AD0 bit and will be set to logic "1" if the slave address received was the 'general call' (00h) address, or logic "0" if it was the ACCESS.Bus controller's own slave address.

BIT 2 - AAS

Addressed As Slave bit. Valid only when PIN=0. When acting as slave receiver, this flag is set when an incoming address over the ACCESS.Bus matches the value in own address register S0' (shifted by one bit) or if the ACCESS.Bus 'general call' address (00h) has been received ('general call' is indicated when AD0 status bit is also set to logic "1").

BIT 1 - LAB

Lost Arbitration Bit. This bit is set when, in multi-master operation, arbitration is lost to another master on the ACCESS.Bus.

BIT 0 - nBB

Bus Busy bit. This is a read-only flag indicating when the ACCESS.Bus is in use. A zero indicates that the bus is busy, and access is not possible. This bit is set/reset (logic "1"/logic "0") by Stop/Start conditions.

18.2.3 OWN ADDRESS REGISTER

When the chip is addressed as slave, this register must be loaded with the 7-bit ACCESS.Bus address to which the chip is to respond. During initialization, the Own Address Register must be written to, regardless whether it is later used. The Addressed As Slave (AAS) bit in the Status Register is set when this address is received (the value in the Data Register is compared with the value in the Own Address Register). Note that the Data Register and Own Address Register are offset by one bit; hence, programming the Own Address Register with a value of 55h will result in the value AAh being recognized as the chip's ACCESS.Bus slave address.

After reset, the Own Address Register has default address 00h.

Table 199 – Own Address Register

HOST ADDRESS	N/A
8051 ADDRESS	ACCESS.Bus 1 = 0x7F32 ACCESS.Bus 2 = 0x7F68
POWER	VCC1
DEFAULT	0x00

	D7	D6	D5	D4	D3	D2	D1	D0
HOST TYPE	-	-	-	-	-	-	-	-
8051 TYPE	R/W	R/W	R/W	R/W	R/W	R/W	R/W	R/W
BIT NAME	Reserved	Slave Address 6	Slave Address 5	Slave Address 4	Slave Address 3	Slave Address 2	Slave Address 1	Slave Address 0

18.2.4 DATA REGISTER

The Data Register acts as serial shift register and read buffer interfacing to the ACCESS.Bus. All read and write operations to/from the ACCESS.Bus are done via this register. ACCESS.Bus data is always shifted in or out of the Data Register.

In receiver mode the ACCESS.Bus data is shifted into the shift register until the acknowledge phase. Further reception of data is inhibited (SCL held low) until the Data Register is read.

In the transmitter mode data is transmitted to the ACCESS.Bus as soon as it is written to the Data Register if the serial I/O is enabled (ESO=1).

Table 200 – Data Register

HOST ADDRESS	N/A
8051 ADDRESS	ACCESS.Bus 1 = 0x7F33 ACCESS.Bus 2 = 0x7F69
POWER	VCC1
DEFAULT	0x00

	D7	D6	D5	D4	D3	D2	D1	D0
HOST TYPE	-	-	-	-	-	-	-	-
8051 TYPE	R/W	R/W	R/W	R/W	R/W	R/W	R/W	R/W
BIT NAME	Data Bit 7	Data Bit 6	Data Bit 5	Data Bit 4	Data Bit 3	Data Bit 2	Data Bit 1	Data Bit 0

18.2.5 CLOCK REGISTER

The Clock Register controls selection of the internal chip clock frequency used for the ACCESS.Bus block. This determines the SCL clock frequency generated by the chip. The selection is made via Bits[2:0].

Table 201 – Clock Register

HOST ADDRESS	N/A
8051 ADDRESS	ACCESS.Bus 1 = 0x7F34 ACCESS.Bus 2 = 0x7F6A
POWER	VCC1
DEFAULT	0x00

	D7	D6	D5	D4	D3	D2	D1	D0
HOST TYPE	-	-	-	-	-	-	-	-
8051 TYPE	R/W	R	R	R	R	R/W	R/W	R/W
BIT NAME	AB_RST	Reserved	Reserved	Reserved	Reserved	CLK_DIV	CLOCK SELECT 00 = Clock Off 01 = Reserved 10 = 8051 Clock 11 = 24 MHz. Clock	

BIT 7 – AB_RST

ACCESS.Bus Reset. Setting this bit re-initializes all logic and registers in the ACCESS.Bus block. AB_RST is not self-clearing. It must be written high and then written low.

BITS 6 through 3 – Reserved (Reads return 0)

BIT 2 - CLK_DIV

Clock Divider Bit. The clock divider bit CLK_DIV affects all ACCESS.Bus clock inputs. When CLK_DIV is “1”, the ACCESS.Bus input clock is divided by 2. When CLK_DIV is “0”, the ACCESS.bus input clock is not divided.

BITS 1 and 0 – CLOCK SELECT

Clock Selection Bits. These bits determine the source of the clock used by the ACCESS.Bus Controller. Encoding of these bits are as shown in Table 201 – Clock Register, above. Data rates produced by the selected clock are shown in Table 202 - Internal Clock Rates and ACCESS.Bus Data Rates, below.

Table 202 - Internal Clock Rates and ACCESS.Bus Data Rates

CLOCK SELECT	CLOCK RATE	DATA RATE (f/240)	NOMINAL HIGH (96/f)	NOMINAL LOW (144/f)	MINIMUM HIGH (18/f) Note 1
00	Off	-	-	-	-
01	n/a	-	-	-	-
10 (8051 Clock Selection)	Ring Osc=4 MHz	16.7 KHz	24 μs	36 μs	4.5 μs
	Ring Osc=6 MHz	25 KHz	16 μs	24 μs	3 μs
	Ring Osc=8 MHz	33.3 KHz	12 μs	18 μs	2.25 μs
	12 MHz	50 KHz	8 μs	12 μs	4 μs
	16 MHz	67 KHz	6 μs	9 μs	4 μs
	24 MHz	100 KHz	4 μs	6 μs	4 μs
	32 MHz	133 KHz	3 μs	4.5 μs	TBD Eng Note 1
11	24 MHz	100 KHz	4 μs	6 μs	4 μs

f = frequency of the ring oscillator.

Note 1: 18/f pertains to Ring Osc rates only.

18.2.6 ACCESS.BUS SWITCH REGISTER

The ACCESS.Bus Switch register is used to control the ACCESS.bus Multiplexer. Each of the two ACCESS.bus controllers in the LPC47N252 can drive two independent sets of Clock and Data pins (FIGURE 54). The selected Clock and Data pins for each ACCESS.Bus controller are determined by the ACCESS.BusA_SEL_A and ACCESS.BusB_SEL_A bits, D1 and D0 respectively, in the ACCESS.Bus Switch register.

Table 203 - ACCESS.Bus Switch Register

HOST ADDRESS	N/A
8051 ADDRESS	0x7F89
POWER	VCC1
DEFAULT	0x03

	D7	D6	D5	D4	D3	D2	D1	D0
HOST TYPE	-	-	-	-	-	-	-	-
8051 TYPE	R	R	R	R	R	R	R/W	R/W
BIT NAME	RESERVED						ACCESS.BusB_SEL_A	ACCESS.BusA_SEL_A

BITS 7 through 2 – Reserved (Reads return 0)

BIT 1 - ACCESS.BUSB_SEL_A

The ACCESS.BusB_SEL_A bit determines the selected Clock and Data pins for the ACCESS.Bus 2 controller (FIGURE 54). When the ACCESS.BusB_SEL_A bit is '1' (default), the AB2A_CLOCK and AB2A_DATA pins are driven by the ACCESS.Bus B controller. The AB2B_CLOCK and AB2B_DATA pins are tristated. When the ACCESS.BusB_SEL_A bit is '0', the AB2B_CLOCK and AB2B_DATA pins are driven by the ACCESS.Bus 2 controller. The AB2A_CLOCK and AB2A_DATA pins are tristated.

BIT 0 - ACCESS.BUSA_SEL_A

The ACCESS.BusA_SEL_A bit determines the selected Clock and Data pins for the ACCESS.Bus 1 controller (FIGURE 54). When the ACCESS.BusA_SEL_A bit is '1' (default), the AB1A_CLOCK and AB1A_DATA pins are driven by the ACCESS.Bus 1 controller. The AB1B_CLOCK and AB1B_DATA pins are tristated. When the ACCESS.BusA_SEL_A bit is '0', the AB1B_CLOCK and AB1B_DATA pins are driven by the ACCESS.Bus 1 controller. The AB1A_CLOCK and AB1A_DATA pins are tristated.

19 MAILBOX REGISTER INTERFACE

19.1 OVERVIEW

The Mailbox Registers Interface provides a standard run-time mechanism for the host to communicate with the 8051 and other logical components in the LPC47N252. The Mailbox Registers Interface includes a total of 48 index-addressable 8-bit registers (Table 204) and two 8-bit host access ports (Table 206). Thirty-two of these 48 registers are 8051 Mailbox registers.

The Mailbox Registers Interface host access ports are run-time registers that occupy two addresses in the system I/O space. The access ports are used by the host to read and write the 48 registers. The access ports base address is determined by the Mailbox Registers Interface Base Address that is initialized in Logical Device Number 9 in LPC47N252 configuration registers CR60 and CR61 (Table 205).

The 32 Mailbox registers as well as the PWM0, PWM1, Fan Control registers, Flash Program Register, and Flash High Address are directly addressable by the 8051 through Memory-Mapped Control Registers (see Table 101 - 8051 On-Chip External Memory Mapped Registers on page 128).

In this specification, the registers in the Mailbox Registers Interface are identified by the prefix MBX in front of a hexadecimal index address. Table 204 below summarizes the 48 registers in the Mailbox Registers Interface.

Table 204 – Mailbox Registers Interface

REGISTER NAME	MAILBOX INDEX ADDRESS	SYSTEM R/W	8051 ADDR. (7F00+)	8051 R/W	POWER PLANE	VCC1 POR	VCC2 POR	NOTES
Flash Low Address	MBX80h	R/W	B1h	R/W	VCC1	00h	-	
Flash Data	MBX81h	R/W	B2h	R/W	VCC1	00h	-	
System-to-8051 Mailbox register 0-	MBX82h	R/W	08h	RC	VCC1	00h	-	
8051-to-system Mailbox register 1	MBX83h	RC	09h	R/W	VCC1	00		Note 54
Mailbox register [2-F]	MBX 84h-91h	R/W	0Ah – 17h	R/W	VCC1	00h		Note 55
PWM0 register	MBX92h	R/W	25h	R/W	VCC1	00h		
PWM1 register	MBX93h	R/W	26h	R/W	VCC1	00h		
8051STP_CLK	MBX94h	R/W	-	-	VCC1	00h		
PWM2 register	MBX95h	R/W	29h	R/W	VCC2	00h		
ESMI source register	MBX96h	R/W	-	-	VCC2		00h	
ESMI mask register	MBX97h	R/W	-	-	VCC2		00h	
IR data register	MBX98h	R/W	-	-	VCC2		00h	
Force Disk Change register	MBX99h	R/W	-	-	VCC2		03h	
Floppy Data Rate Select Shadow register	MBX9Ah	R	-	-	VCC2		N/A	
UART1 FIFO Control Shadow register	MBX9Bh	R	-	-	VCC2		00h	
Reserved	MBX9Ch	R	-	-	VCC2		00h	Note 56
Fan Control Register	MBX9Dh	R/W	28h	R/W	VCC1	0x30	-	
Flash Program Register	MBX9Eh	R/W	35h	R/W	VCC1		-	
Flash High Address	MBX9Fh	R/W	B0h	R/W	VCC1	00h	-	
Mailbox Register [10-1F]	MBX A0h-AFh	R/W	70h – 7Fh	R/W	VCC1	00h	-	

Note 54: Interrupt is cleared when read by the 8051.

Note 55: Interrupt is cleared when read by the host.

Note 56: This register is reserved and should not be accessed.

19.2 MAILBOX REGISTERS INTERFACE BASE ADDRESS

Logical Device 9 in the LPC47N252 configuration space supports the Mailbox Registers Interface. The three device configuration registers in LDN9 provide activation control and the base address for the Mailbox Registers Interface run-time registers (Table 205).

Register 0x30 is the Activate register. The activation control (LDN9:CR30.0) qualifies address decoding for the Mailbox Registers Interface; e.g., if the Activate bit D0 in the Activate register is “0”, the MBX access port addresses will not be decoded; if the Activate bit is “1”, MBX access port addresses will be decoded depending on the values programmed in the MBX Primary Base Address registers.

Registers 0x60 and 0x61 are the MBX Primary Base Address registers. Register 0x60 is the MBX Primary Base Address High Byte, register 0x61 is the MBX Primary Base Address Low Byte.

Note: Bit D0 in the MBX Primary Base Address Low Byte must be “0”. Valid Mailbox Registers Interface Base Address values are 0x0000 – 0x0FFE.

Table 205 – Mailbox Registers Interface Configuration Controls (LDN9)

INDEX	TYPE	HARD RESET	SOFT RESET	VCC2 POR	VCC1 & VCC0 POR	DESCRIPTION							
						D7	D6	D5	D4	D3	D2	D1	D0
0x30	R/W	0x00	0x00	0x00	-	Activate							
						RESERVED							Activate
0x60	R/W	0x00	0x00	0x00	-	MBX Primary Base Address High Byte							
						“0”	“0”	“0”	“0”	A11	A10	A9	A8
0x61	R/W	0x00	0x00	0x00	-	MBX Primary Base Address Low Byte							
						A7	A6	A5	A4	A3	A2	A1	“0”

19.3 MAILBOX REGISTERS INTERFACE ACCESS PORTS

The Mailbox registers access ports are runtime registers that occupy two addresses in the Host I/O space (Table 206).

To access a Mailbox register once the Mailbox Registers Interface Base Address has been initialized, write the Mailbox register index address to the MBX Index port and read or write the Mailbox register data from the MBX data port.

Table 206 – Mailbox Registers Interface Access Ports

ACCESS PORT NAME	HOST ADDRESS	HOST TYPE	POWER PLANE	VCC2 POR	VCC1 POR
MBX INDEX	MBX Base Address	R/W	VCC2	0x00	-
MBX DATA	MBX Base Address + 1	R/W	VCC2	-	-

19.4 MAILBOX REGISTERS

There are 32 Mailbox Registers in the LPC47N252. The MBXA0–AF and MBX84– 91 Mailbox Registers are general purpose registers. There are no interrupts for these registers.

19.5 THE SYSTEM/8051 INTERFACE REGISTERS

Mailbox Register 0, System-to-8051, and Mailbox Register 1, 8051-to-System, are specifically designed to pass commands between the host and the 8051 (FIGURE 55). If enabled, these registers can generate interrupts.

Mailbox Register 0 and Mailbox Register 1 are not dual-ported, so the System BIOS and Keyboard BIOS must be designed to properly share these registers. When the host performs a write of the System-to-8051 mailbox register, an 8051 INT1 will be generated and seen by the 8051 if unmasked. When the 8051 writes to the System-to-8051 mailbox register, the data is blocked but the write forces the register to 0x00, providing a simple means for the 8051 to inform that host that an operation has been completed.

When the 8051 writes the 8051-to-System mailbox register, an SMI may be generated and seen by the host if unmasked. When the Host CPU writes to the 8051-to-System mailbox register, the data is blocked but the write forces the 8051-to-System register to clear to zero, providing a simple means for the host to inform that 8051 that an operation has been completed.

PROGRAMMER'S NOTE: The protocol used to pass commands back and forth through the Mailbox Registers Interface is left to the system designer. SMSC can provide an application example of working code in which the host uses the Mailbox registers to gain access to all of the 8051 registers.

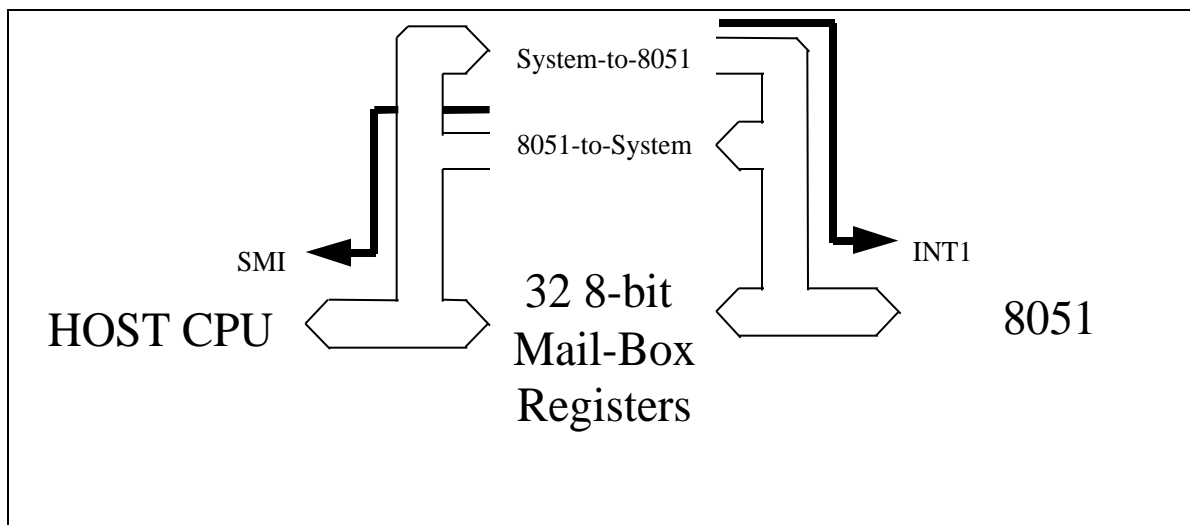


FIGURE 55 – SYSTEM-TO-8051 MAILBOX INTERFACE REGISTERS BLOCK DIAGRAM

19.5.1 MAILBOX REGISTER 0: SYSTEM-TO-8051

If enabled, an INT1 will be generated when the System writes to Mailbox Register 0 (Table 207). The interrupt source bit will be cleared when the 8051 reads this register.

After reading Mailbox Register 0, the 8051 can clear the register to “00H” by a dummy write to inform the host that the register contents have been read.

Table 207 – Mailbox Register 0 (System-To-8051)

MAILBOX INDEX	8051 ADDRESS	POWER PLANE	DEFAULT
0x82	0x7F08	VCC1	0x00

	D7	D6	D5	D4	D3	D2	D1	D0
MBX TYPE ¹	RC	RC	RC	RC	RC	RC	RC	RC
8051 TYPE	R/W	R/W	R/W	R/W	R/W	R/W	R/W	R/W
BIT NAME	D7	D6	D5	D4	D3	D2	D1	D0

Note¹ RC = Read-only register is cleared when written.

Mailbox Register 1: 8051-to-system

If enabled, an SMI will be generated when the 8051 writes to Mailbox Register 1 (Table 205). The SMI interrupt will be cleared when the host reads this register.

After reading Mailbox Register 1, the system can clear the register to “00H” by a dummy write to inform the 8051 that the register has been read.

Table 208 – Mailbox Register 1 (8051-To-System)

MAILBOX INDEX	8051 ADDRESS	POWER PLANE	DEFAULT
0x83	0x7F09	VCC1	0x00

	D7	D6	D5	D4	D3	D2	D1	D0
MBX TYPE ¹	RC	RC	RC	RC	RC	RC	RC	RC
8051 TYPE	R/W	R/W	R/W	R/W	R/W	R/W	R/W	R/W
BIT NAME	D7	D6	D5	D4	D3	D2	D1	D0

Note¹ RC = Read-only register is cleared when written.

19.6 8051 STOP CLOCK REGISTER

The LPC Host can use the STP_CLK bit to stop the 8051 clock, for example when the LPC Bus Flash Program Access interface is used to update the 64k Embedded Flash.

FIGURE 56 illustrates the sequence the LPC Host must follow to stop the 8051 clock. The - 8051 STP_CLK Register shown in Table 209 contains the STP_CLK bit.

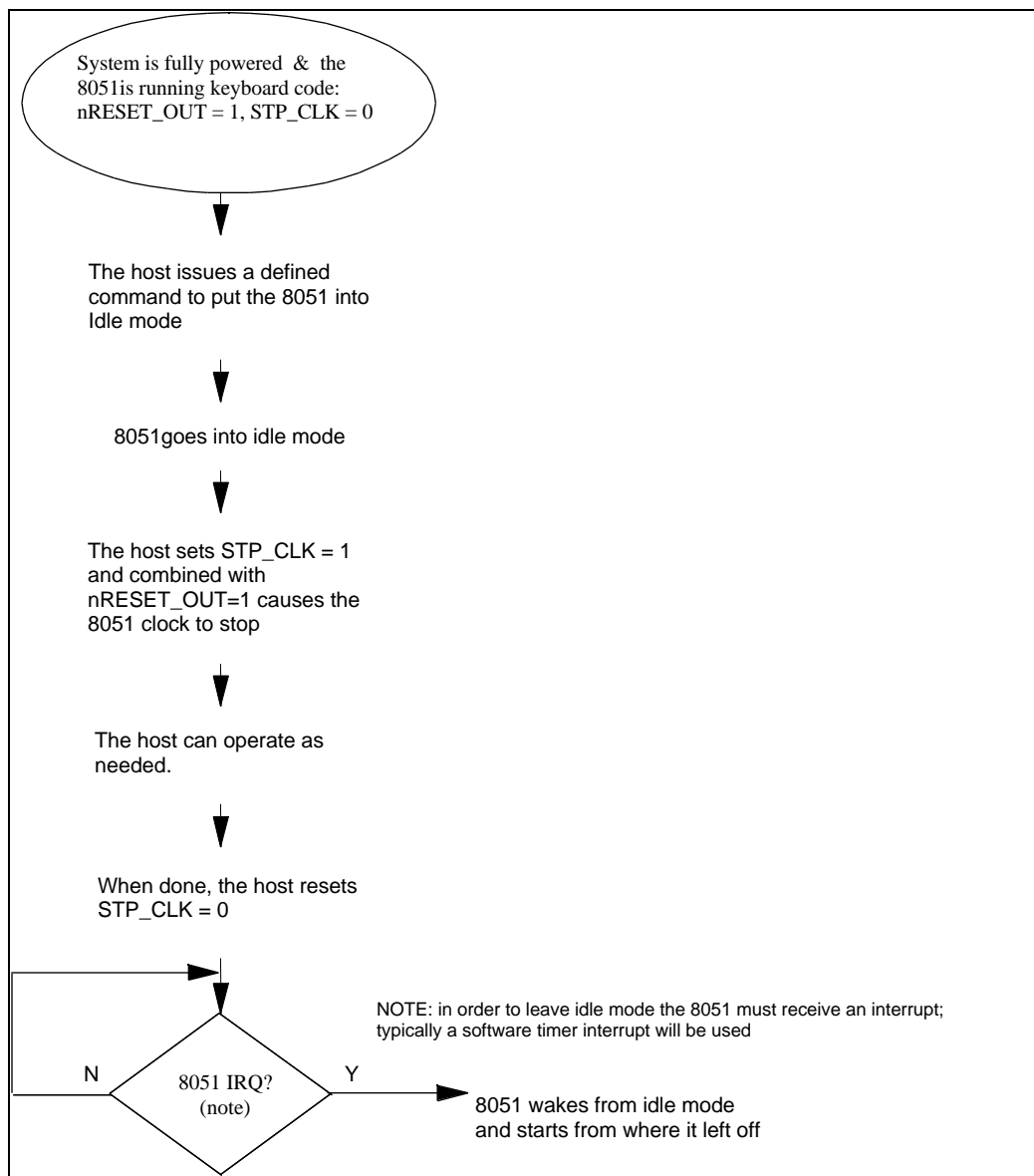


FIGURE 56 - LPC HOST SEQUENCE TO STOP THE 8051

Table 209 - 8051 STP_CLK Register

HOST ADDRESS	MBX94h
8051 ADDRESS	N/A
POWER	VCC1
DEFAULT	0x00

	D7	D6	D5	D4	D3	D2	D1	D0
HOST TYPE	-	-	-	-	-	-	-	-
8051 TYPE	R	R	R	R	R	R	R	R/W
BIT NAME	IDLE	RESERVED						STP_CLK

IDLE Bit – D7

When the IDLE bit is '0', the 8051 is not in idle mode; when the IDLE bit is '1', the 8051 is in idle mode. The IDLE bit is read-only.

STP_CLK Bit – D0

When the STP_CLK bit is '1', the 8051 clock is stopped only when the nRESET_OUT pin is deasserted; when the STP_CLK bit is '0', the 8051 clock can run. The STP_CLK bit is read/write. See section 11.8.3.5, Output Enable Register on page 134.

19.7 ESMI REGISTERS

The host can enable/disable the SMI interrupts generated as a result of the 8051 writing to Mailbox register 1. The host can read the ESMI source register to determine for the LPC47N252 Mailbox interface was the cause of the SMI.

Table 210 – ESMI Source Register

HOST ADDRESS	MBX96
8051 ADDRESS	N/A
POWER	VCC2
DEFAULT	0x00

	D7	D6	D5	D4	D3	D2	D1	D0
HOST TYPE	-	-	-	-	-	-	-	-
8051 TYPE	R	R	R	R	R/W	R/	R/	R/
BIT NAME	Reserved	Reserved	Reserved	Reserved	8051_WR	Reserved	Reserved	Reserved

8051_WR

This bit is set when a 8051-to-host mailbox has been written . This bit is cleared by a read of Mailbox Register 1 (MBX83.)

Table 211 – ESMI Mask Register

HOST ADDRESS	MBX97
8051 ADDRESS	N/A
POWER	VCC2
DEFAULT	0x00

	D7	D6	D5	D4	D3	D2	D1	D0
HOST TYPE	-	-	-	-	-	-	-	-
8051 TYPE	R	R	R	R	R/W	R	R	R
BIT NAME	Reserved	Reserved	Reserved	Reserved	ESMI_MASK	Reserved	Reserved	Reserved

ESMI_MASK

Setting this bit masks the 8051-to-host mailbox SMI.

19.8 FDC SHADOW REGISTERS

The LPC47N252 makes the following Control Registers readable by supplying a set of Index Registers accessible either through Logical Device 7 when in Configuration State or through the Open Mode Index and Data registers when in Run State.

	SYS. INDEX	SYS R/W	8051 ADDRESS (7F00+)	8051 R/W	POWER SOURCE	VCC1 POR	VCC2 POR	ZERO WAIT STATE (9)	NOTES
Force Diskchange	IDX99	R	-----	N/A	VCC2		03h		-----
Floppy Data Rate Select Shadow Register	IDX9A	R	-----	N/A	VCC2		N/A		-----
UART1 FIFO Control Shadow Register	IDX9B	R	-----	N/A	VCC2		00h		

Floppy Data Rate Select Shadow Register

	D7	D6	D5	D4	D3	D2	D1	D0
8051 R/W	N/A	N/A	N/A	N/A	N/A	N/A	N/A	N/A
System R/W	R	R	R	R	R	R	R	R
Bit Def	Soft Reset	Power Down	0	PRE-COMP 2	PRE-COMP 1	PRE-COMP 0	Data Rate Select 1	Data Rate Select 0

Table 212 - Floppy Data Rate Select Shadow Register

HOST ADDRESS	MBX9A
8051 ADDRESS	N/A
POWER	VCC2
DEFAULT	N/A

	D7	D6	D5	D4	D3	D2	D1	D0
HOST TYPE	-	-	-	-	-	-	-	-
8051 TYPE	R	R	R	R	R	R	R	R
BIT NAME	Soft Reset	Power Down	Reserved	PRE-COMP 2	PRE-COMP 1	PRE-COMP 0	Data Rate Select 1	Data Rate Select 0

Note: D1 and D0 are updated by a write to the Floppy Data Rate or CCR registers. Bits D7-D2 are updated by a write to the Floppy Data Rate register only.

Table 213 - Forced Disk Change Register

HOST ADDRESS	MBX99
8051 ADDRESS	N/A
POWER	VCC2
DEFAULT	0x03

	D7	D6	D5	D4	D3	D2	D1	D0
HOST TYPE	-	-	-	-	-	-	-	-
8051 TYPE	R	R	R	R	R	R	R/W	R/W
BIT NAME	Reserved	Reserved	Reserved	Reserved	Reserved	Reserved	Forced DSK_CHG 1	Forced DSK_CHG 0

These bits can be written to a “1” but are not clearable by the software. These bits are reset when nSTEP input is active with the proper drive select to the drive occurs. D0 is cleared on nSTEP and Drive Select 0; D1 is cleared on nSTEP and Drive Select 1. A Force diskchange indication is read in the DIR register (of the Floppy controller) and gated with Drive Select 0 or 1.

The Equivalent logic: when read DIR bit 7 = (Drive_Sel_0 & D0) OR (Drive_Sel_1 & D1) OR DSK_CHG. DSK_CHG is the inverse of the nDSKCHG signal.

20 PULSE WIDTH MODULATORS

20.1 OVERVIEW

The LPC47N252 has three independent programmable Pulse-Width Modulators (PWM0, PWM1 and PWM2) that can be used for controlling fan speed. The PWM0 and PWM1 can generate 11 fan speeds (F_{OUT}), 6-bit pulse-width resolution, and have the ability to force the PWM output always high or low, see Table 214 and Table 215. The PWM2 however, can generate only 8 fan speeds because there is no PWM2 STDBY CLOCK implementation, see Table 216.

PWM0 and PWM1 can be driven by the system clock when VCC2 is active, or by the 32.768kHz standby clock (RTC) that is available when either VCC2 or VCC1 are active. PWM2 can only be driven by system clock when VCC2 is active. The PWM2 pin will tri-state when VCC2 = 0v(See **Note 3** on page 20.)

PROGRAMMER'S NOTE: the availability of the 32kHz standby clock is subject to the affects of the RTC clock control bits.

The PWM Speed Control and PWM Control registers are accessible to both the Host and the 8051 through the Mailbox register interface (see Section 19 on page 223).

Table 214 – PWM0 and PWM1 Speed Control Summary (STDBY Clock Bit = “0”)

PWMx STDBY CLOCK BIT ⁵	PWMx CLOCK CONTROL BIT ¹	PWMx CLOCK MULTIPLIER BIT ²	PWMx CLOCK SELECT 1 BIT ³	PWMx CLOCK SELECT 0 BIT ⁴	F_{OUT} ⁶ (kHz)	6-BIT DUTY CYCLE CONTROL (DCC)	DUTY CYCLE (%)
0	0	X	X	X	0 (low)	0	-
0	0	0	0	0	15.625	1-63	(DCC ÷ 64)
0	0	0	0	1	23.438		× 100
0	0	0	1	0	.040		
0	0	0	1	1	.060		
0	0	1	0	0	31.25		
0	0	1	0	1	46.876		
0	0	1	1	0	.080		
0	0	1	1	1	.120		
0	1	X	X	X	0 (high)	-	-

Table 215 – PWM0 and PWM1 Speed Control Summary (STDBY Clock Bit = “1”)

PWMx STDBY CLOCK BIT ⁵	PWMx CLOCK CONTROL BIT ¹	PWMx CLOCK MULTIPLIER BIT ²	PWMx CLOCK SELECT 1 BIT ³	PWMx CLOCK SELECT 0 BIT ⁴	F_{OUT} ⁶ (kHz)	6-BIT DUTY CYCLE CONTROL (DCC)	DUTY CYCLE (%)
1	0	X	X	X	0 (low)	0	-
1	0	X	0	0	.032	1-63	(DCC ÷ 64)
1	0	X	0	1	.064		× 100
1	0	X	1	0	.128		
1	0	X	1	1	Reserved		
1	1	X	X	X	0 (high)	-	-

Note¹: This is PWM0/PWM1 Speed Control register bit 0.

Note²: This is PWM Control register Bit 2 or Bit 3.

Note³: This is PWM Control register Bit 0 or Bit 1.

Note⁴: This is PWM0/PWM1 Speed Control register Bit 7.

Note⁵: This is PWM Control register Bit 4 or Bit 5.

Note⁶: The F_{out} frequency tolerance is ± 5%.

Table 216 - PWM2 Speed Control Summary

PWM2 CLOCK CONTROL BIT ¹	PWM2 CLOCK SELECT 1 BIT ³	PWM2 CLOCK MULTIPLIER BIT ²	PWM2 CLOCK SELECT 0 BIT ⁴	F _{out} ⁵ (kHz)	6-BIT DUTY CYCLE CONTROL (DCC)	DUTY CYCLE (%)
0	X	X	X	0 (low)	0	-
0	0	0	0	15.625	1-63	(DCC ÷ 64) × 100
0	0	0	1	23.438		
0	0	1	0	31.25		
0	0	1	1	46.876		
0	1	0	0	0.1831		
0	1	0	1	0.275		
0	1	1	0	0.36666		
0	1	1	1	0.550		
1	X	X	X	0 (high)	-	-

Note¹: This is PWM2 Speed Control register bit 0.

Note²: This is PWM Control register Bit 7.

Note³: This is PWM Control register Bit 6.

Note⁴: This is PWM2 Speed Control register Bit 7.

Note⁵: For F_{out} = 275Hz, i.e. when the PWM2 Clock Control Bit = '0', Clock Select 0 = Clock Select 1 = '1', and the Clock Multiplier Bit = '0', the frequency tolerance is ± 10 Hz, otherwise the F_{out} frequency tolerance is ± 5%.

20.2 PWM SPEED CONTROL REGISTERS

There are three PWM Speed Control registers: PWM0, PWM1 and PWM2. These registers are located in the LPC47N252 Mailbox Registers Interface. PWM0 is MBX92, PWM1 is MBX93, and PWM2 is MBX95 (see Table 204 on page 223).

The PWM Speed Control registers are in the LPC47N252 as shown in Table 217, Table 218 and Table 219.

The default values for all the PWM speed control registers are 0x00. These defaults take effect on VCC1 POR for PWM0 and PWM1, and on VCC2 POR for PWM2 speed control register.

Table 217 – PWM0 Speed Control Register

MAILBOX INDEX	8051 ADDRESS	POWER PLANE	DEFAULT
0x92	0x7F25	VCC1	0x00

	D7	D6	D5	D4	D3	D2	D1	D0
BX TYPE	R/W	R/W	R/W	R/W	R/W	R/W	R/W	R/W
8051 TYPE	R/W	R/W	R/W	R/W	R/W	R/W	R/W	R/W
BIT NAME	PWM0 CLOCK SELECT 0	PWM0 DUTY CYCLE CONTROL						PWM0 CLOCK CONTROL

Table 218 – PWM1 Speed Control Register

MAILBOX INDEX	8051 ADDRESS	POWER PLANE	DEFAULT
0x93	0x7F26	VCC1	0x00

	D7	D6	D5	D4	D3	D2	D1	D0
MBX TYPE	R/W	R/W	R/W	R/W	R/W	R/W	R/W	R/W
8051 TYPE	R/W	R/W	R/W	R/W	R/W	R/W	R/W	R/W
BIT NAME	PWM1 CLOCK SELECT 0	PWM1 DUTY CYCLE CONTROL						PWM1 CLOCK CONTROL

Table 219 – PWM2 Speed Control Register

MAILBOX INDEX	8051 ADDRESS	POWER PLANE	DEFAULT
0x95	0x7F29	VCC1	0x00

	D7	D6	D5	D4	D3	D2	D1	D0
MBX TYPE	R/W	R/W	R/W	R/W	R/W	R/W	R/W	R/W
8051 TYPE	R/W	R/W	R/W	R/W	R/W	R/W	R/W	R/W
BIT NAME	PWM2 CLOCK SELECT 0	PWM2 DUTY CYCLE CONTROL						PWM2 CLOCK CONTROL

PWM Clock Select 0, D7

The PWM Clock Select 0 bit, D7 in the PWM Speed Control registers is used with the PWM Clock Select 1 and the PWM Clock Multiplier bits in the PWM Control register to determine the fan speed F_{OUT}.

Note: There are separate PWM0, PWM1 and PWM2 Clock Select 1 and Clock Multiplier bits in the PWM Control register (see Section 20.3 PWM Control Register).

The affects of the PWM Clock Select[1:0] bits are shown in Table 214, Table 215, and Table 216.

Duty Cycle Control, D6 – D1

The Duty Cycle Control (DCC) bits determine the PWM fan duty cycle. The LPC47N252 has ≈1.56% duty cycle resolution.

When DCC = “000000” (min. value), F_{OUT} is always low. When DCC is “111111” (max. value), F_{OUT} is almost always high; i.e., high for 63/64th and low for 1/64th of the F_{OUT} period.

Generally, the F_{OUT} duty cycle (%) is (DCC ÷ 64) × 100.

PWM Clock Control, D0

The PWM Clock Control bit, D0 is used to override the Duty Cycle Control bits and force F_{OUT} always high.

When D0 = “0”, the DCC bits determine the F_{OUT} duty cycle. When D0 = 1, F_{OUT} is always high, regardless of the state of the DCC bits.

20.3 PWM CONTROL REGISTER

The PWM Control register contains PWM Clock Select 1 and PWM Clock Multiplier for each of the three PWM Speed Controllers, PWM0, PWM1, and PWM2. The Standby Clock control bit is implemented only on PWM0 and PWM1.

The PWM Control register is MBX9D register (See Table 220). The default value for the PWM Control Register is 0x30. The default value takes effect on VCC1 POR.

Table 220 – PWM Control Register

MAILBOX INDEX	8051 ADDRESS	POWER PLANE	DEFAULT
0x9D	0x7F28	VCC1	0x30

	D7	D6	D5	D4	D3	D2	D1	D0
MBX TYPE	R/W	R/W	R/W	R/W	R/W	R/W	R/W	R/W
8051 TYPE	R/W	R/W	R/W	R/W	R/W	R/W	R/W	R/W
BIT NAME	PWM2 CLOCK MULTI- PLIER	PWM2 CLOCK SELECT 1	PWM1 STDBY CLOCK ¹	PWM0 STDBY CLOCK ¹	PWM1 CLOCK MULTI- PLIER	PWM0 CLOCK MULTI- PLIER	PWM1 CLOCK SELECT 1	PWM0 CLOCK SELECT 1

PROGRAMMER'S NOTE¹: The PWMx STDBY CLOCK bits, D4 and D5, should not be switched when PWRGD is inactive; i.e., when VCC2 = 0V.

PWM2 Clock Multiplier, D7

The PWM2 Clock Multiplier bit, D7 is used with the PWM2 Clock Select 1 bit, D6 and the PWM2 Clock Select 0 bit, MBX95.7 to determine the PWM2 F_{OUT}.

When the PWM2 Clock Multiplier bit = "0", no clock multiplier is used. When the PWM2 Clock Multiplier bit = "1", the clock speed determined by the PWM2 Clock Select [1:0] bits is doubled (Table 216 - PWM2 Speed Control Summary.)

PWM2 Clock Select 1, D6

The PWM2 Clock Select 1 bit, D6 is used with the PWM2 Clock Multiplier bit, D7 and the PWM2 Clock Select 0 bit, MBX95.7 to determine the PWM2 F_{OUT}.

The affects of the Fan Clock Select [1:0] bits are shown in Table 216 - PWM2 Speed Control Summary.

PWM1 Stdby Clock, D5

The PWM1 STDBY CLOCK bit D5 is used to determine the PWM1 controller clock source.

When the PWM1 STDBY CLOCK bit = "1", the PWM1 controller clock source is the 32.768kHz RTC clock (VCC1/VCC2). The available PWM1 F_{OUT} frequencies when D5 = "1" are shown in Table 214 – PWM0 and PWM1 Speed Control Summary (STDBY Clock Bit = "0").

When the PWM1 STDBY CLOCK bit = "0", the PWM1 controller clock source is the system clock (VCC2). The available PWM1 F_{OUT} frequencies when D5 = "0" are shown in Table 214 – PWM0 and PWM1 Speed Control Summary (STDBY Clock Bit = "0").

The PWM1 STDBY CLOCK bit default = "1".

PWM0 Stdby Clock, D4

The PWM0 STDBY CLOCK bit, D4 is used to determine the PWM0 controller clock source.

When the PWM0 STDBY CLOCK bit = "1", the PWM0 controller clock source is the 32.768kHz RTC clock (VCC1/VCC2). The available PWM0 F_{OUT} frequencies when D4 = "1" are shown in Table 214 – PWM0 and PWM1 Speed Control Summary (STDBY Clock Bit = "0").

When the PWM0 STDBY CLOCK bit = "0", the PWM0 controller clock source is the system clock (VCC2). The available PWM0 F_{OUT} frequencies when D4 = "0" are shown in Table 214 – PWM0 and PWM1 Speed Control Summary (STDBY Clock Bit = "0").

The PWM0 STDBY CLOCK bit default = "1".

PWM1 Clock Multiplier, D3

The PWM1 Clock Multiplier bit, D3 is used with the PWM1 Clock Select 1 bit, D1 and the PWM1 Clock Select 0 bit, MBX93.7 to determine the PWM1 F_{OUT} when the PWM1 STDBY CLOCK select bit is "0".

When the PWM1 Clock Multiplier bit = "0", no clock multiplier is used. When the PWM1 Clock Multiplier bit = "1", the clock speed determined by the PWM1 Clock Select [1:0] bits is doubled (Table 214 – PWM0 and PWM1 Speed Control Summary (STDBY Clock Bit = "0")).

The PWM1 Clock Multiplier bit does not affect the PWM1 F_{OUT} when the PWM1 STDBY CLOCK select bit is "1".

PWM0 Clock Multiplier, D2

The PWM0 Clock Multiplier bit, D2 is used with the PWM0 Clock Select 1 bit, D0 and the PWM0 Clock Select 0 bit, MBX92.7 to determine the PWM0 F_{OUT} when the PWM0 STDBY CLOCK select bit is "0".

When the PWM0 Clock Multiplier bit = "0", no clock multiplier is used. When the PWM0 Clock Multiplier bit = "1", the clock speed determined by the PWM0 Clock Select [1:0] bits is doubled (Table 214 – PWM0 and PWM1 Speed Control Summary (STDBY Clock Bit = "0")).

The PWM0 Clock Multiplier bit does not affect the PWM0 F_{OUT} when the PWM0 STDBY CLOCK select bit is "1".

PWM1 Clock Select 1, D1

The PWM1 Clock Select 1 bit, D1 is used with the PWM1 Clock Multiplier bit, D3 and the PWM1 Clock Select 0 bit, MBX93.7 to determine the PWM1 F_{OUT} .

The affects of the PWM1 Clock Select [1:0] bits are shown in Table 214 and Table 215.

PWM0 Clock Select 1, D0

The PWM0 Clock Select 1 bit, D0 is used with the PWM0 Clock Multiplier bit, D2 and the PWM0 Clock Select 0 bit, MBX92.7 to determine the PWM0 F_{OUT} .

The affects of the PWM1 Clock Select [1:0] bits are shown in Table 214 and Table 215.

21 FAN TACHOMETER INTERFACE

21.1 FAN TACHOMETER OVERVIEW

The LPC47N252 implements a dual fan tachometer interface for systems with fans equipped with speed monitoring outputs. The fan tachometer input pins are FAN_TACH1 and FAN_TACH2 (Table 2). These pins are alternate functions of the GPIO15 and GPIO16 pins, respectively (See Table 4 and MICS[11 bit in section 25.4.) The timebase for the fan tachometer interface is the 32.768kHz RTC oscillator (FIGURE 57). A fan tachometer input gates the 32.768 kHz RTC oscillator for one period of the input signal into an 8-bit counter. As shown in FIGURE 57, one fan revolution, T_R , consists of two fan tachometer pulses, T_P . The fan tachometer interface can generate an 8051 interrupt and wake event when the fan speed (RPM) drops below a predetermined value. The fan tachometer interface is available when VCC2 is active and on the suspend supply, VCC1.

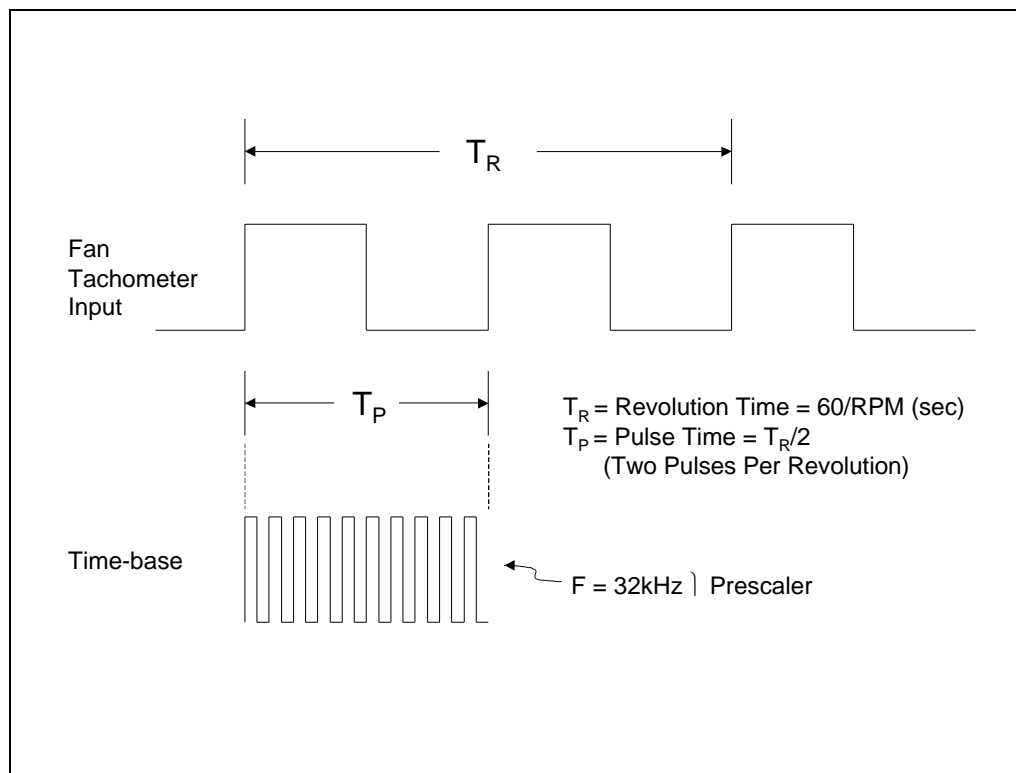


FIGURE 57 - FAN TACHOMETER INPUT & TIME-BASE

21.2 THEORY OF OPERATION

Each fan tachometer in the dual fan tachometer interface contains a Timebase Prescaler, a Fan Pulse Counter, a Fan Pulse Counter Preload, a Fan Pulse Counter Read Latch, and a Fan Pulse Counter Threshold Detector (FIGURE 58). Detailed descriptions of these components follow in the subsections, below.

21.2.1 TIMEBASE PRESCALER

The timebase prescaler divides the fan tachometer timebase. The timebase prescaler can be used to account for several fan types (i.e., fans where the RPM values do not depend on two fan tachometer pulses per revolution) and a wide range of fan speeds. The prescaler for each fan tachometer is programmable via the FAN Tachometer Timebase Prescaler Register (see section 21.8 FAN Tachometer Timebase Prescaler Register, below). The choices for the timebase prescaler are 1, 2, 4 and 8; the default is 2.

21.2.2 FAN PULSE COUNTER AND READ LATCH

The fan pulse counter measures the fan pulse time, T_P , shown in FIGURE 57. The fan pulse counter is reset by the rising edge of each fan tachometer input pulse and by writing the counter preload register. The fan pulse counter does not wrap. For example, when the counter reaches 0xFF, it remains at 0xFF until the counter is reset by the next input pulse or by writing the Preload register. The host can read the last maximum fan pulse counter value using the

FAN1 and FAN2 Read Latch registers (see sections 21.3 and 21.4, below). The fan pulse counter equation is shown in Table 218. The factor of $\frac{1}{2}$ in first term of the equation accounts for the fan Revolution Time T_R (i.e., two pulses per revolution as shown in FIGURE 57). The numerator of the second term is derived by multiplying the 32.768kHz timebase by 60sec/min. The denominator of the second term is the product of the fan RPM and the timebase prescaler.

21.2.3 FAN PULSE COUNTER THRESHOLD DETECTOR

The fan pulse counter threshold detector consists of the two 'AND'ed MSB outputs of the fan pulse counter. This corresponds to an upper limit for the fan pulse counter of 192. The outputs of the fan pulse counter threshold detectors are always asserted when the fan pulse count equals or exceeds 192. The outputs of the fan pulse counter threshold detectors are always deasserted when the fan pulse count is less than 192. If enabled, the 8051 receives an interrupt when the outputs of the fan pulse counter threshold detectors are asserted. For a description of the FAN TACH1 and FAN TACH2 8051 interrupt registers see section 21.9 8051 FAN Tachometer Interrupt Registers, below.

Table 221 – Fan Pulse Counter Equation

$$\text{FAN PULSE COUNT} = \frac{1}{2} \times \frac{1.966 \times 10^6}{\text{RPM} \times \text{PRESCALER}}$$

21.2.4 FAN PULSE COUNTER PRELOAD

The fan pulse counter preload is the initial value for the fan pulse counter which is used to scale the count so that the value of 192 corresponds to the "lower limit" of the threshold RPM. The fan pulse counter is initialized with the preload on the rising edge of the fan tachometer input pulse. Typically, the fan pulse counter preload value will be 192 minus the fan pulse count of the desired RPM trigger threshold. The counter preload value is programmable for each fan tachometer via the FAN1 and FAN2 Preload Registers (see sections 21.5 and 21.7, below). By setting the fan pulse counter preload value and the timebase prescaler appropriately, the 8051 can be interrupted when the fan speed reaches the desired percentage of the nominal RPM to indicate fan failures for a wide range of fan types and speeds (see section 21.3 Example, below).

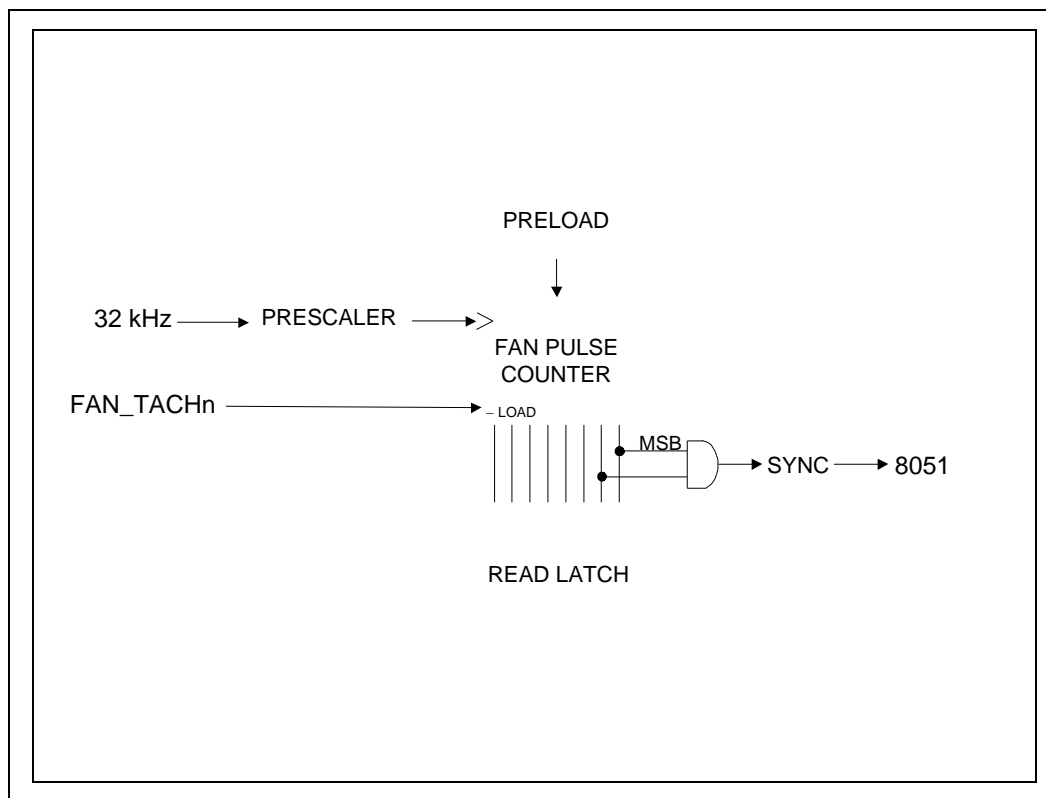


FIGURE 58 - FAN TACHOMETER BLOCK DIAGRAM

21.3 EXAMPLE

Table 222 illustrates a fan tachometer interface programming example for a 4400 RPM nominal fan. In this example, the system designer has specified a fan counter preload value of 33 so that the 8051 will be alerted when the fan speed drops below 70% nominal RPM. **Note:** the values in Table 222 are based on a 2 pulse/revolution fan tachometer output with the default timebase prescaler of 2.

Table 222 – 4400 RPM Fan Tachometer Example

RPM (T _R)	PULSE TIME ¹ (T _P)	FAN PULSE COUNT ²	PRELOAD	FAN PULSE COUNT + PRELOAD	DESCRIPTION	8051 INTERRUPT
4400	6.8 ms	111	33	144	Nominal RPM	NO
3960	7.6 ms	124		157	90% Nominal RPM	
3520	8.5 ms	139		172	80% Nominal RPM	
3080	9.7 ms	159		192	70% Nominal RPM	YES
2640	11.4 ms	186		219	60% Nominal RPM	
2200	13.6 ms	223		>255 (maximum count)	50% Nominal RPM	

Note¹ There are 2 fan tachometer pulses per fan revolution: $T_P = 60 \div (2 \times \text{RPM})$.

Note² The timebase prescaler = 2.

21.4 FAN1 READ LATCH REGISTER

The FAN1 read latch register (Table 223) stores the maximum last fan pulse counter value before the rising edge of the next FAN1 tachometer input pulse. The fan pulse count is computed from the equation in Table 218. The FAN1 read latch register value may not be valid for up to 2 fan tachometer input pulses following a write to the preload register.

Table 223 - FAN1 Read Latch Register

HOST ADDRESS	N/A
8051 ADDRESS	0x7F9B
POWER	VCC1
DEFAULT	0x00

	D7	D6	D5	D4	D3	D2	D1	D0
HOST TYPE	-	-	-	-	-	-	-	-
8051 TYPE	R	R	R	R	R	R	R	R
BIT NAME	D7	D6	D5	D4	D3	D2	D1	D0

21.5 FAN2 READ LATCH REGISTER

The FAN2 read latch register (Table 224) stores the last (maximum) fan pulse counter value before the rising edge of the FAN2 tachometer input pulse. The fan pulse count is computed from the equation in Table 221. The FAN2 read latch register value may not be valid for up to 2 fan tachometer input pulses following a write to the preload register.

Table 224 – FAN2 Read Latch Register

HOST ADDRESS	N/A
8051 ADDRESS	0x7F9C
POWER	VCC1
DEFAULT	0x00

	D7	D6	D5	D4	D3	D2	D1	D0
HOST TYPE	-	-	-	-	-	-	-	-
8051 TYPE	R	R	R	R	R	R	R	R
BIT NAME	D7	D6	D5	D4	D3	D2	D1	D0

21.6 FAN1 PULSE COUNTER PRELOAD REGISTER

The FAN1 pulse counter preload register (Table 225) stores the preload value used in the computation of the FAN1 pulse count (see section 21.2.4 Fan Pulse Counter Preload, above). The fan pulse count is computed from the equation in Table 221. Writing to the FAN1 pulse counter preload register resets the FAN1 pulse counter. The FAN1 read latch register value may not be valid for up to 2 fan tachometer input pulses following a write to the FAN1 pulse counter preload register.

Table 225 – FAN1 Pulse Counter Preload Register

HOST ADDRESS	N/A
8051 ADDRESS	0x7F9D
POWER	VCC1
DEFAULT	0x00

	D7	D6	D5	D4	D3	D2	D1	D0
HOST TYPE	-	-	-	-	-	-	-	-
8051 TYPE	R/W	R/W	R/W	R/W	R/W	R/W	R/W	R/W
BIT NAME	D7	D6	D5	D4	D3	D2	D1	D0

21.7 FAN2 PRELOAD REGISTER

The FAN2 pulse counter preload register (Table 226) stores the preload value used in the computation of the FAN2 pulse count (see section 21.2.4 Fan Pulse Counter Preload, above). The fan pulse count is computed from the equation in Table 221. Writing to the FAN2 pulse counter preload register resets the FAN2 pulse counter. The FAN2 read latch register value may not be valid for up to 2 fan tachometer input pulses following a write to the FAN2 pulse counter preload register.

Table 226 – FAN2 Pulse Counter Preload Register

HOST ADDRESS	N/A
8051 ADDRESS	0x7F9E
POWER	VCC1
DEFAULT	0x00

	D7	D6	D5	D4	D3	D2	D1	D0
HOST TYPE	-	-	-	-	-	-	-	-
8051 TYPE	R/W	R/W	R/W	R/W	R/W	R/W	R/W	R/W
BIT NAME	D7	D6	D5	D4	D3	D2	D1	D0

21.8 FAN TACHOMETER TIMEBASE PRESCALER REGISTER

The fan tachometer timebase prescaler register is shown below in Table 227. The timebase prescaler is described in section 21.2.1 Timebase Prescaler, above.

Table 227 – FAN Tachometer Timebase Prescaler Register

HOST ADDRESS	N/A
8051 ADDRESS	0x7F9F
POWER	VCC1
DEFAULT	0x05

	D7	D6	D5	D4	D3	D2	D1	D0
HOST TYPE	-	-	-	-	-	-	-	-
8051 TYPE	R	R	R	R	R/W	R/W	R/W	R/W
BIT NAME	RESERVED			FAN2 PRESCALER 00: Prescaler = 1 01: Prescaler = 2 (DEFAULT) 10: Prescaler = 4 11: Prescaler = 8			FAN1 PRESCALER 00: Prescaler = 1 01: Prescaler = 2 (DEFAULT) 10: Prescaler = 4 11: Prescaler = 8	

21.9 8051 FAN TACHOMETER INTERRUPT REGISTERS

The FAN TACH1 and FAN TACH 2 interrupts appear in the 8051 Wake Up SRC 7 and Wake Up MSK 7 registers. See FIGURE 14, FIGURE 15, Table 118, and Table 125 in section 11.9, 8051 Interrupts, which starts on page 136.

22 8051 CONTROLLED PARALLEL PORT

To facilitate activities such as reprogramming the Flash Memory without opening the unit, the 8051 is able to take control of the parallel port interface. The 8051 has three memory mapped registers that look like the host's standard parallel port registers (Status, Control, and Data) with one exception: the 8051's Parallel Port Status register contains a write bit (bit 0) that allows the 8051 to disconnect the interface from the host and take control. Refer to the Parallel Port section for more information.

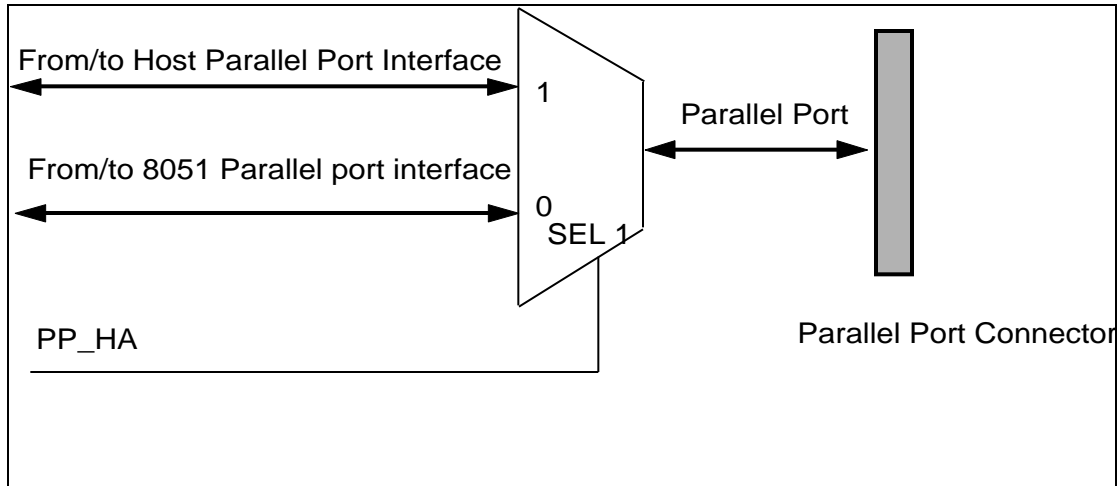


FIGURE 59 - PARALLEL PORT MULTIPLEXOR

22.1 OPERATION REGISTERS

The 8051 uses the following three memory mapped registers to gain access to and control the parallel port interface.

Parallel Port Status Register

Host	N/A
8051	0x7F3A
Power	VCC2
Default	0x00

	D7	D6	D5	D4	D3	D2	D1	D0
8051 R/W	R	R	R	R	R	R	R	R/W
System R/W	N/A	N/A	N/A	N/A	N/A	N/A	N/A	N/A
Bit Def	nBUSY	nACK	PE	SLCT	nERR	0	0	PP_HA 1 = Host (or FDC) controls the Parallel Port Interface. 0 = 8051 controls the Parallel Port Interface (default).

If 8051 access to the parallel port pins is enabled; The level of the parallel port status pins can be read by reading this register.

- Bit D7 (nBUSY): reflects the inverse state of pin BUSY
- Bit D6 (nACK): reflects the current state of pin nACK
- Bit D5 (PE): reflects the current state of pin PE
- Bit D4 (SLCT): represents the current state of pin SLCT
- Bit D3 (nERR): reflects the current state of pin nERR

Parallel Port Control Register

Host	N/A
8051	0x7F3B
Power	VCC2
Default	0x00

	D7	D6	D5	D4	D3	D2	D1	D0
8051 R/W	R/W	R/W	R/W	R/W	R/W	R/W	R/W	R/W
System R/W	N/A	N/A	N/A	N/A	N/A	N/A	N/A	N/A
Bit Def	0	0	PCD	0	SLCTIN	nINIT	ALF	STROBE

If 8051 access to the parallel port pins is enabled, the value of STROBE, ALF and SLCTIN are inverted and output onto the parallel port control pins. The value of nINIT is output onto the parallel port control pins. If PCD (Parallel Control Direction) = 0, the data bus is output. If PCD = 1 the parallel port data bus is floating to allow read data in.

Parallel Port Data Register

Host	N/A
8051	0x7F3C
Power	VCC2
Default	0x00

	D7	D6	D5	D4	D3	D2	D1	D0
8051 R/W	R/W	R/W	R/W	R/W	R/W	R/W	R/W	R/W
System R/W	N/A	N/A	N/A	N/A	N/A	N/A	N/A	N/A
Bit Def	PD7	PD6	PD5	PD4	PD3	PD2	PD1	PD0

If 8051 access to the parallel port pins is enabled; When read, this register reads the logic levels on the parallel port pins.

23 HOST CONTROLLED IR PORT

It is possible to give direct control of the IRRX and IRTX pins to the Host CPU by setting bit 2 of the Multiplexing_1 Register. The Host communicates to the pins through its memory mapped IR Data Register shown here.

IR Data Register

Host	MBX 0x98
8051	N/A
Power	VCC2
Default	0x00

	D7-D2	D1	D0
8051 R/W	N/A	N/A	N/A
System R/W	R/W	R	R/W
Bit Def	Reserved	IR_REC	IR_TX

Bit 1 and bit 0 are don't care if MISC2 is reset. (These bits are multiplexed onto the IRTX and IRRX pins when MISC2 is set). See section 25.3, Multiplexing_1 Register – MISC[7:0].

Note that MISC7 allows the control of the IRRX2/GPIO8 and IRTX2/GPIO9 pins. If the IRRX2 and IRTX2 pins are used for IR, then this allows the IR interface access to be switched between the IRCC 2.0 block and the 8051.

24 GPIO INTERFACE

24.1 OVERVIEW

The LPC47N252 includes three general purpose I/O pin types: Forty-two 8051 non-SFR GPIOs, Sixteen 8051 SFR-addressable GPIOs, and Twenty-four LPC/8051-addressable GPIOs (Table 228).

The 8051 non-SFR GPIOs are described below in section 24.2, 8051 Non-SFR GPIOs. The LPC/8051-addressable GPIOs are described below in section 24.4, LPC/8051-Addressable GPIOs. The SFR-addressable GPIOs are described in section 24.5, Bit-wise Addressable 8051 SFR GPIOs.

Sixteen of the Twenty-four LPC/8051-addressable GPIOs can also be configured as GPIO Pass-Through Ports (see section 24.6, GPIO PASS-THROUGH PORTS). Eight of the Twenty-four LPC/8051-addressable GPIOs can generate 8051 interrupts and wake events. See FIGURE 14, FIGURE 15, Table 118, and Table 125 in section 11.9, 8051 Interrupts, which starts on page 136.

Table 228 – LPC47N252 GPIO Types

ITEM	TYPE	PIN NAMES	WAKE CAPABLE	BUFFER MODES ²
1.	8051 SFR	SGPIO30	N	PP
2.		SGPIO31	N	PP
3.		SGPIO32	N	PP
4.		SGPIO33	N	PP
5.		SGPIO34	N	PP
6.		SGPIO35	N	PP
7.		SGPIO36	N	PP
8.		SGPIO37	N	PP
9.		SGPIO40	N	PP
10.		SGPIO41	N	PP
11.		SGPIO42	N	PP
12.		SGPIO43	N	PP
13.		SGPIO44	N	PP
14.		SGPIO45	N	PP
15.		SGPIO46	N	PP
16.		SGPIO47	N	PP
17.	8051 (non-SFR)	KSO12/OUT8/KBRST	N	PP
18.		KSO13/GPIO18	N	PP
19.		OUT0	N	PP/OD
20.		OUT1/nIRQ8	N	PP
21.		OUT2	N	PP
22.		OUT3	N	PP
23.		OUT4	N	PP
24.		OUT5/nDS1/KBRST	N	PP
25.		OUT6/nMTR1	N	PP
26.		OUT7/nSMI	N	PP
27.		OUT8/KBRST	N	PP
28.		OUT9	N	PP
29.		OUT10/PWM0	N	PP
30.		OUT11/PWM1	N	PP
31.		IN0 (WK_EE4)	Y	PP
32.		IN1 (WK_EE2)	Y	PP
33.		IN2 (WK_EE3)	Y	PP
34.		IN3 (nGPWKUP)	Y	PP
35.		IN4 (WK_SE00)	Y	PP

ITEM	TYPE	PIN NAMES	WAKE CAPABLE	BUFFER MODES ²
36.		IN5 (WK_SE01)	Y	PP
37.		IN6 (WK_SE05)	Y	PP
38.		IN7 (WK_EE1)	Y	PP
39.		GPIO0 (WK_SE02)	Y	PP
40.		GPIO1 (WK_SE03)	Y	PP
41.		GPIO2 (WK_SE04)	Y	PP
42.		GPIO3 (TRIGGER)	N	PP
43.		GPIO4 (WK_SE07)/KSO14	Y	PP
44.		GPIO5 (WK_SE10)/KSO15	Y	PP
45.		GPIO6(WK_SE11)/IRMODE/IRRX3A	Y	PP
46.		GPIO7 (WK_SE06)	Y	PP/OD
47.		GPIO8 (WK_SE12)/IRRX2	Y	PP
48.		GPIO9 (WK_SE13)/IRTX2	Y	PP
49.		GPIO10 (WK_SE14)/IRMODE/IRRX3B	Y	PP
50.		GPIO11 (WK_SE15)/AB2A_DATA	Y	PP
51.		GPIO12 (WK_SE16)/AB2A_CLK	Y	PP
52.		GPIO13 (WK_SE17)/AB2B_DATA	Y	PP
53.		GPIO14 (WK_SE20)/AB2B_CLK	Y	PP
54.		GPIO15 (WK_SE21)/FAN_TACH1	Y	PP
55.		GPIO16 (WK_SE22)/FAN_TACH2	Y	PP
56.		GPIO17 (WK_SE23)/A20M	Y	PP
57.		GPIO19 (WK_SE24)	Y	PP
58.		GPIO20 (WK_SE25)/PS2CLK/ 8051RX	Y	PP
59.		GPIO21 (WK_SE26)/PS2DAT/8051TX	Y	PP
60.	LPC/8051 ¹	LGPIO50	Y	PP
61.		LGPIO51	Y	PP
62.		LGPIO52	Y	PP
63.		LGPIO53	Y	PP
64.		LGPIO54	Y	PP
65.		LGPIO55	Y	PP
66.		LGPIO56	Y	PP
67.		LGPIO57	Y	PP
68.		LGPIO60	N	PP/OD
69.		LGPIO61	N	PP/OD
70.		LGPIO62	N	PP/OD
71.		LGPIO63	N	PP/OD
72.		LGPIO64	N	PP/OD
73.		LGPIO65	N	PP/OD
74.		LGPIO66	N	PP/OD
75.		LGPIO67	N	PP/OD
76.		LGPIO70	N	PP/OD
77.		LGPIO71	N	PP/OD
78.		LGPIO72	N	PP/OD
79.		LGPIO73	N	PP/OD
80.		LGPIO74	N	PP/OD
81.		LGPIO75	N	PP/OD
82.		LGPIO76	N	PP/OD
83.		LGPIO77	N	PP/OD

Note¹: These pins can be controlled by the LPC Host or the 8051 (see section 24.4 LPC/8051-Addressable GPIOs, below).

Note²: PP = Push-Pull (Totem Pole) Outputs; PP/OD = Selectable Push-Pull or Open-Drain Outputs (see section 24.4.3.5 Programmable Buffer Type Registers, below).

24.2 8051 NON-SFR GPIOs

The 8051 non-SFR GPIO pins are GPIO 0 – 21, IN 0 – 7 and OUT 0 – 11. Some 8051 non-SFR GPIOs are multiplexed with alternate functions (see Table 228 – LPC47N252 GPIO Types on page 244 and Table 4 - Alternate Function Pins on page 15.)

All 8051 non-SFR registers are powered by VCC1. The following pins will tri-state to prevent back-biasing of external circuitry when they are configured as alternate function outputs and PWRGD is inactive (i.e. VCC2 is 0v): GPIO6, GPIO10, OUT1, OUT5 - OUT9, GPIO17, GPIO20, GPIO21, and KSO12.

GPIO9 defaults to “output”, “low”, for both the default (GPIO) function and the alternate (IRTX) function, regardless of the state of PWRGD. This is done to prevent infrared transceiver damage.

PROGRAMMER’S NOTE: the direction of alternate function pins that are multiplexed with general purpose I/O pins (i.e., where the GPIO function is the default), is determined by the GPIO direction bit. For example if the KS014 function of GPIO4 is selected, bit 4 in GPIO Direction Register A must be set to “1”. This rule does not apply to default non-GPIO pin functions that may have a GPIO as an alternate function.

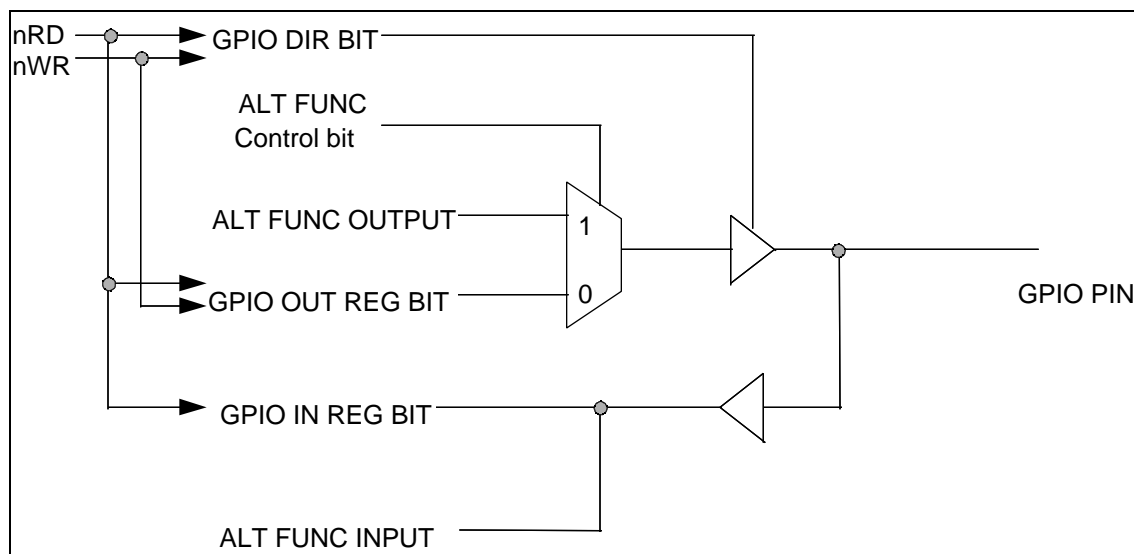


FIGURE 60 – 8051 NON-SFR GPIO BLOCK DIAGRAM

24.3 8051 NON-SFR REGISTERS

Table 229 - GPIO Direction Register A

HOST ADDRESS	N/A
8051 ADDRESS	0x7F18
POWER	VCC1
DEFAULT	0x00

	D7	D6	D5	D4	D3	D2	D1	D0
HOST TYPE	-	-	-	-	-	-	-	-
8051 TYPE	R/W	R/W	R/W	R/W	R/W	R/W	R/W	R/W
BIT NAME	GPIO7 1=output 0=input	GPIO6 1=output 0=input	GPIO5 1=output 0=input	GPIO4 1=output 0=input	GPIO3 1=output 0=input	GPIO2 1=output 0=input	GPIO1 1=output 0=input	GPIO0 1=output 0=input

Table 230 - GPIO Input Register A

HOST ADDRESS	N/A
8051 ADDRESS	0x7F1A
POWER	VCC1
DEFAULT	N/A

	D7	D6	D5	D4	D3	D2	D1	D0
HOST TYPE	-	-	-	-	-	-	-	-
8051 TYPE	R	R	R	R	R	R	R	R
BIT NAME	status of pin GPIO7	status of pin GPIO6	status of pin GPIO5	status of pin GPIO4	status of pin GPIO3	status of pin GPIO2	status of pin GPIO1	status of pin GPIO0

Table 231 - GPIO Output Register A

HOST ADDRESS	N/A
8051 ADDRESS	0x7F19
POWER	VCC1
DEFAULT	0x00

	D7	D6	D5	D4	D3	D2	D1	D0
HOST TYPE	-	-	-	-	-	-	-	-
8051 TYPE	R/W	R/W	R/W	R/W	R/W	R/W	R/W	R/W
BIT NAME	GPIO7	GPIO6	GPIO5	GPIO4	GPIO3	GPIO2	GPIO1	GPIO0

Table 232 - GPIO Direction Register B

HOST ADDRESS	N/A
8051 ADDRESS	0x7F1B
POWER	VCC1
DEFAULT	0x00

	D7	D6	D5	D4	D3	D2	D1	D0
HOST TYPE	-	-	-	-	-	-	-	-
8051 TYPE	R/W	R/W	R/W	R/W	R/W	R/W	R/W	R/W
BIT NAME	GPIO15 1=output 0=input	GPIO14 1=output 0=input	GPIO13 1=output 0=input	GPIO12 1=output 0=input	GPIO11 1=output 0=input	GPIO10 1=output 0=input	GPIO9 1=output 0=input	GPIO8 1=output 0=input

Table 233 - GPIO Output Register B

HOST ADDRESS	N/A
8051 ADDRESS	0x7F1C
POWER	VCC1
DEFAULT	0x00

	D7	D6	D5	D4	D3	D2	D1	D0
HOST TYPE	-	-	-	-	-	-	-	-
8051 TYPE	R/W	R/W	R/W	R/W	R/W	R/W	R/W	R/W
BIT NAME	GPIO 15	GPIO 14	GPIO 13	GPIO 12	GPIO 11	GPIO 10	GPIO 9	GPIO 8

Table 234 - GPIO Input Register B

HOST ADDRESS	N/A
8051 ADDRESS	0x7F1D
POWER	VCC1
DEFAULT	N/A

	D7	D6	D5	D4	D3	D2	D1	D0
HOST TYPE	-	-	-	-	-	-	-	-
8051 TYPE	R	R	R	R	R	R	R	R
BIT NAME	status of pin GPIO15	status of pin GPIO14	status of pin GPIO13	status of pin GPIO12	status of pin GPIO11	status of pin GPIO10	status of pin GPIO9	status of pin GPIO8

Table 235 - GPIO Direction Register C

HOST ADDRESS	N/A
8051 ADDRESS	0x7F1E
POWER	VCC1
DEFAULT	0x00

	D7	D6	D5	D4	D3	D2	D1	D0
HOST TYPE	-	-	-	-	-	-	-	-
8051 TYPE	R/W	R/W	R/W	R/W	R/W	R/W	R/W	R/W
BIT NAME	0	0	GPIO21 1=output 0=input	GPIO20 1=output 0=input	GPIO19 1=output 0=input	GPIO18 1=output 0=input	GPIO17 1=output 0=input	GPIO16 1=output 0=input

Table 236 - GPIO Output Register C

HOST ADDRESS	N/A
8051 ADDRESS	0x7F1F
POWER	VCC1
DEFAULT	0x00

	D7	D6	D5	D4	D3	D2	D1	D0
HOST TYPE	-	-	-	-	-	-	-	-
8051 TYPE	R/W	R/W	R/W	R/W	R/W	R/W	R/W	R/W
BIT NAME	0	0	GPIO21	GPIO20	GPIO19	GPIO18	GPIO17	GPIO16

Table 237 - GPIO Input Register C

HOST ADDRESS	N/A
8051 ADDRESS	0x7F20
POWER	VCC1
DEFAULT	N/A

	D7	D6	D5	D4	D3	D2	D1	D0
HOST TYPE	-	-	-	-	-	-	-	-
8051 TYPE	R	R	R	R	R	R	R	R
BIT NAME	0	0	status of pin GPIO21	status of pin GPIO20	status of pin GPIO19	status of pin GPIO18	status of pin GPIO17	status of pin GPIO16

Table 238 -Out Register D

HOST ADDRESS	N/A
8051 ADDRESS	0x7F22
POWER	VCC1
DEFAULT	0x00

	D7	D6	D5	D4	D3	D2	D1	D0
HOST TYPE	-	-	-	-	-	-	-	-
8051 TYPE	R/W	R/W	R/W	R/W	R/W	R/W	R/W	R/W
BIT NAME	OUT7	OUT6	OUT5	OUT4	OUT3	OUT2	OUT1	OUT0

Table 239 -Out Register E

HOST ADDRESS	N/A
8051 ADDRESS	0x7F23
POWER	VCC1
DEFAULT	0x00

	D7	D6	D5	D4	D3	D2	D1	D0
HOST TYPE	-	-	-	-	-	-	-	-
8051 TYPE	R/W	R/W	R/W	R/W	R/W	R/W	R/W	R/W
BIT NAME	0	0	0	0	OUT11	OUT10	OUT9	OUT8

Table 240 - In Register F

HOST ADDRESS	N/A
8051 ADDRESS	0x7F24 (R)
POWER	VCC1
DEFAULT	N/A

	D7	D6	D5	D4	D3	D2	D1	D0
HOST TYPE	-	-	-	-	-	-	-	-
8051 TYPE	R	R	R	R	R	R	R	R
BIT NAME	status of pin IN7	status of pin IN6	status of pin IN5	status of pin IN4	status of pin IN3	status of pin IN2	status of pin IN1	status of pin IN0

24.4 LPC/8051-ADDRESSABLE GPIOS

The LPC47N252 includes 24 LPC/8051-addressable LGPIO pins LGPIO50 – LGPIO57, LGPIO60 – LGPIO67, and LGPIO70 – LGPIO77 (Table 2 - Pin Function Description and Table 228).

The output pin buffer type for 16 of these 24 LGPIOs can be programmed by the 8051 as open-drain or push-push (see section 24.4.3.5 Programmable Buffer Type Registers, below).

Eight of these 24 LGPIOs (LGPIO50 – LGPIO57) can generate 8051 interrupts and wake events (See FIGURE 14, FIGURE 15, Table 118, and Table 125 in section 11.9, 8051 Interrupts, which starts on page 136). An interrupt will occur on either edge of signals connected to any LGPIO50 – LGPIO57 pin configured as an input.

Sixteen of the Twenty-four LPC/8051-addressable GPIOs can also be configured as GPIO Pass-Through Ports (see section 24.6, GPIO PASS-THROUGH PORTS).

Eight of the Twenty-four LPC/8051-addressable GPIOs can generate 8051 interrupts and wake events.

The 24 LGPIO pins can be accessed either by the LPC host or the 8051 depending the state of a group LPC SELECT bit (see section 24.4.3.4 LPC Select Register). There are three 8-pin LGPIO groups. Host selection is determined by the 8051 per 8-pin group.

There are separate 8051 and LPC runtime register sets to control the LGPIO pins (see section 24.4.2 LGPIO LPC Runtime Registers and section 24.4.3 LGPIO MMCR (8051) Registers, below).

The 8051 is responsible for configuring the LGPIO interface including the LPC SELECT bits and the output pin buffer type.

When the LPC host is selected to control an LGPIO pin and PWRGD is deasserted, the pin is tristated (input). Otherwise, the LGPIO channel direction and logic state is determined by the runtime registers of the selected host (see FIGURE 63 and Table 238).

Note 57: Regardless of the selected LGPIO pin host, the 8051 LGPIO input registers always reflect the state of the LGPIO pin (FIGURE 61). See **Note 61** for the Pass Through Mode exception.

Table 241 - LPC Addressable GPIO Direction Control

	8051 DIR	LPC DIR	LPC SEL.	PWRGD	PIN DIR	COMMENTS
1.	X	X	1	0	IN	GPIO pin tristates (input) because GPIO is LPC type & VCC2 is invalid.
2.	X	1	1	1	OUT	GPIO pin is LPC type, follows LPC DIR bit, & VCC2 is valid.
3.	X	0	1	1	IN	
4.	1	X	0	X	OUT	GPIO pin is 8051 type, follows 8051 DIR bit & VCC2 is not required.
5.	0	X	0	X	IN	

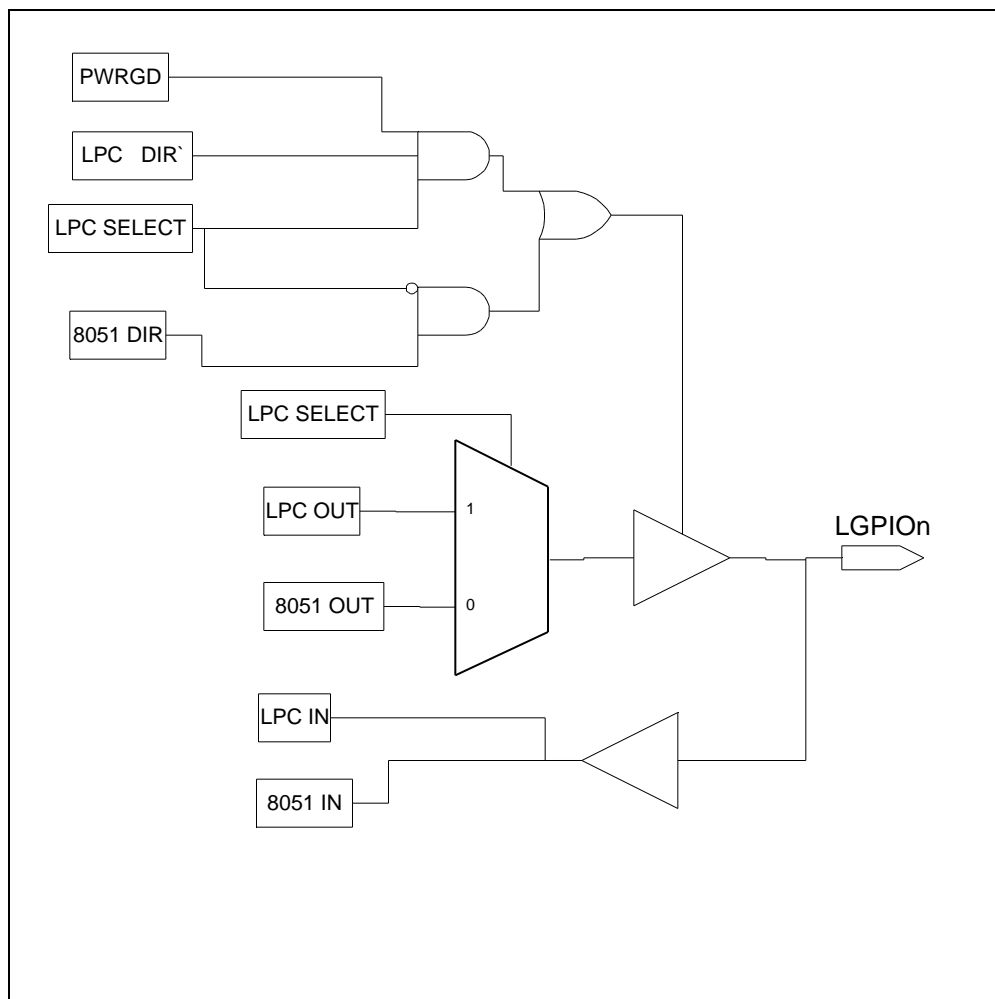


FIGURE 61 - LPC ADDRESSABLE GPIO BLOCK DIAGRAM

Note: This figure is for illustration purposes only and is not intended to suggest specific implementation details.

24.4.1 LPC LGPIO BASE ADDRESS

Logical Device Ah in the LPC47N252 configuration space supports the base address and activation control for the 24 LPC/8051-addressable GPIO pins

Three device configuration registers in LDNA provide activation control and the base address programming for the LGPIO LPC Block registers (Table 297).

Register 0x30 is the Activate register. The activation control (LDNA:CR30.0) qualifies address decoding for the ACPI PM1 Block registers; e.g., if the Activate bit D0 in the Activate register is “0”, the LGPIO LPC Block addresses will not be decoded; if the Activate bit is “1”, LGPIO LPC Block addresses will be decoded depending on the values programmed in the LGPIO LPC Block Primary Base Address registers.

Registers 0x60 and 0x61 are the LGPIO LPC Block Primary Base Address registers. Register 0x60 is the LGPIO LPC Block Primary Base Address High Byte, register 0x61 is the LGPIO LPC Block Primary Base Address Low Byte.

Note: The LPC LGPIO Base is relocatable on 16-byte boundaries; i.e., bits D0 – D3 in the LPC LGPIO Primary Base Address Low Byte must be “0”. Valid LPC LGPIO runtime register base address values are between 0x0000 – 0x0FF0.

Table 242 – LPC LGPIO Bock Configuration Registers (LDNA)

INDEX	TYPE	HARD RESET	SOFT RESET	VCC2 POR	VCC1& VCC0 POR	DESCRIPTION							
						D7	D6	D5	D4	D3	D2	D1	D0
0x30	R/W	0x00	0x00	0x00	-	Activate							
						RESERVED							Activate
0x60	R/W	0x00	0x00	0x00	-	LPC LGPIO Block Primary Base Address High Byte							
						“0”	“0”	“0”	“0”	A11	A10	A9	A8
0x61	R/W	0x00	0x00	0x00	-	LPC LGPIO Block Primary Base Address Low Byte							
						A7	A6	A5	A4	A3	“0”	“0”	“0”

24.4.2 LGPIO LPC RUNTIME REGISTERS

There are 9 LGPIO LPC runtime registers (Table 243). The base address and activation control for these registers are located in the LPC Configuration Registers in Logical Device Number Ah.

Table 243 - LGPIO LPC Runtime Registers

LPC SELECT REGISTER BIT	BASE ADDRESS OFFSET	REGISTER TYPE	REGISTER NAME
D0	0	R/W	LGPIO DIRECTION REGISTER G
	1	R	LGPIO INPUT REGISTER G
	2	R/W	LGPIO OUTPUT REGISTER G
D1	3	R/W	LGPIO DIRECTION REGISTER H
	4	R	LGPIO INPUT REGISTER H
	5	R/W	LGPIO OUTPUT REGISTER H
D2	6	R/W	LGPIO DIRECTION REGISTER I
	7	R	LGPIO INPUT REGISTER I
	8	R/W	LGPIO OUTPUT REGISTER I

Note: The LPC SELECT bits determine the register source for the LGPIO pins. (See Section 24.4.3.4, LPC Select Register). Register access is unaffected by the state of the LPC SELECT bits. For example, if the LPC GPIO runtime registers are active, the LGPIO Direction Register G register can read and written even if the LPC SELECT register bit D0 is deasserted.

24.4.2.1 LGPIO Group G Registers

The eight LGPIO Group G pins are LGPIO50 – LGPIO57. The Group G direction, input and output runtime registers that drive the LGPIO Group G pins are shown in Table 244, Table 245, and Table 246, below.

Table 244 – LPC LGPIO Direction Register G

HOST ADDRESS	BASE ADDR. + 0
8051 ADDRESS	N/A
POWER	VCC2
DEFAULT	0x00

	D7	D6	D5	D4	D3	D2	D1	D0
HOST TYPE	R/W	R/W	R/W	R/W	R/W	R/W	R/W	R/W
8051 TYPE	-	-	-	-	-	-	-	-
BIT NAME	LGPIO57 1=output 0=input	LGPIO56 1=output 0=input	LGPIO55 1=output 0=input	LGPIO54 1=output 0=input	LGPIO53 1=output 0=input	LGPIO52 1=output 0=input	LGPIO51 1=output 0=input	LGPIO50 1=output 0=input

Table 245 – LPC LGPIO Input Register G

HOST ADDRESS	BASE ADDR. + 1
8051 ADDRESS	N/A
POWER	VCC2
DEFAULT	N/A

	D7	D6	D5	D4	D3	D2	D1	D0
HOST TYPE	R	R	R	R	R	R	R	R
8051 TYPE	-	-	-	-	-	-	-	-
BIT NAME	LGPIO57 IN	LGPIO56 IN	LGPIO55 IN	LGPIO54 IN	LGPIO53 IN	LGPIO52 IN	LGPIO51 IN	LGPIO50 IN

Table 246 – LPC LGPIO Output Register G

HOST ADDRESS	BASE ADDR. + 2
8051 ADDRESS	N/A
POWER	VCC2
DEFAULT	0x00

	D7	D6	D5	D4	D3	D2	D1	D0
HOST TYPE	R/W	R/W	R/W	R/W	R/W	R/W	R/W	R/W
8051 TYPE	-	-	-	-	-	-	-	-
BIT NAME	LGPIO57 OUT	LGPIO56 OUT	LGPIO55 OUT	LGPIO54 OUT	LGPIO53 OUT	LGPIO52 OUT	LGPIO51 OUT	LGPIO50 OUT

24.4.2.2 LGPIO Group H Registers

The eight LGPIO Group H pins are LGPIO60 – LGPIO67. The Group H direction, input and output runtime registers that drive the LGPIO Group H pins are shown in Table 244, Table 245 and Table 246. Eight GPIO Pass-Through Ports can multiplex LGPIO Group G (see section 24.4.3.1) with LGPIO Group H. See Section 24.6 on page 261 for description of the GPIO PASS-THROUGH PORTS function.

Table 247 – LPC LGPIO Direction Register H

HOST ADDRESS	BASE ADDR. + 3
8051 ADDRESS	N/A
POWER	VCC2
DEFAULT	0x00

	D7	D6	D5	D4	D3	D2	D1	D0
HOST TYPE	R/W	R/W	R/W	R/W	R/W	R/W	R/W	R/W
8051 TYPE	-	-	-	-	-	-	-	-
BIT NAME	LGPIO67 1=output 0=input	LGPIO66 1=output 0=input	LGPIO65 1=output 0=input	LGPIO64 1=output 0=input	LGPIO63 1=output 0=input	LGPIO62 1=output 0=input	LGPIO61 1=output 0=input	LGPIO60 1=output 0=input

Table 248 – LPC LGPIO Input Register H

HOST ADDRESS	BASE ADDR. + 4
8051 ADDRESS	N/A
POWER	VCC2
DEFAULT	N/A

	D7	D6	D5	D4	D3	D2	D1	D0
HOST TYPE	R	R	R	R	R	R	R	R
8051 TYPE	-	-	-	-	-	-	-	-
BIT NAME	LGPIO67 IN	LGPIO66 IN	LGPIO65 IN	LGPIO64 IN	LGPIO63 IN	LGPIO62 IN	LGPIO61 IN	LGPIO60 IN

Table 249 – LPC LGPIO Output Register H

HOST ADDRESS	BASE ADDR. + 5
8051 ADDRESS	N/A
POWER	VCC2
DEFAULT	0x00

	D7	D6	D5	D4	D3	D2	D1	D0
HOST TYPE	R/W	R/W	R/W	R/W	R/W	R/W	R/W	R/W
8051 TYPE	-	-	-	-	-	-	-	-
BIT NAME	LGPIO67 OUT	LGPIO66 OUT	LGPIO65 OUT	LGPIO64 OUT	LGPIO63 OUT	LGPIO62 OUT	LGPIO61 OUT	LGPIO60 OUT

24.4.2.3 LGPIO Group I Registers

The eight LGPIO Group I pins are LGPIO70 – LGPIO77. The Group I direction, input and output runtime registers that drive the LGPIO Group I pins are shown in Table 250, Table 251 and Table 252, below.

Table 250 – LPC LGPIO Direction Register I

HOST ADDRESS	BASE ADDR. + 6
8051 ADDRESS	N/A
POWER	VCC2
DEFAULT	0x00

	D7	D6	D5	D4	D3	D2	D1	D0
HOST TYPE	R/W	R/W	R/W	R/W	R/W	R/W	R/W	R/W
8051 TYPE	-	-	-	-	-	-	-	-
BIT NAME	LGPIO77 1=output 0=input	LGPIO76 1=output 0=input	LGPIO75 1=output 0=input	LGPIO74 1=output 0=input	LGPIO73 1=output 0=input	LGPIO72 1=output 0=input	LGPIO71 1=output 0=input	LGPIO70 1=output 0=input

Table 251 - LPC LGPIO Input Register I

HOST ADDRESS	BASE ADDR. + 7
8051 ADDRESS	N/A
POWER	VCC2
DEFAULT	N/A

	D7	D6	D5	D4	D3	D2	D1	D0
HOST TYPE	R	R	R	R	R	R	R	R
8051 TYPE	-	-	-	-	-	-	-	-
BIT NAME	LGPIO77 IN	LGPIO76 IN	LGPIO75 IN	LGPIO74 IN	LGPIO73 IN	LGPIO72 IN	LGPIO71 IN	LGPIO70 IN

Table 252 - LPC LGPIO Output Register I

HOST ADDRESS	BASE ADDR. + 8
8051 ADDRESS	N/A
POWER	VCC2
DEFAULT	0x00

	D7	D6	D5	D4	D3	D2	D1	D0
HOST TYPE	R/W	R/W	R/W	R/W	R/W	R/W	R/W	R/W
8051 TYPE	-	-	-	-	-	-	-	-
BIT NAME	LGPIO77 OUT	LGPIO76 OUT	LGPIO75 OUT	LGPIO74 OUT	LGPIO73 OUT	LGPIO72 OUT	LGPIO71 OUT	LGPIO70 OUT

24.4.3 LGPIO MMCR (8051) REGISTERS

There are 12 LGPIO MMCR (8051) registers (Table 253). There is also a register to control the buffer type for two of the standard 8051 GPIO pins. These registers provide 8051 runtime access, host configuration and buffer type control for the LGPIO interface pins.

Table 253 - LGPIO MMCR (8051) Registers Summary

	8051 MMCR ADDRESS	REGISTER TYPE	8051 MMCR REGISTER NAME
1.	0x7FA0	R/W	LGPIO DIRECTION REGISTER G
2.	0x7FA1	R	LGPIO INPUT REGISTER G
3.	0x7FA2	R/W	LGPIO OUTPUT REGISTER G
4.	0x7FA3	R/W	LGPIO DIRECTION REGISTER H
5.	0x7FA4	R	LGPIO INPUT REGISTER H

	8051 MMCR ADDRESS	REGISTER TYPE	8051 MMCR REGISTER NAME
6.	0x7FA5	R/W	LGPIO OUTPUT REGISTER H
7.	0x7FA6	R/W	LGPIO DIRECTION REGISTER I
8.	0x7FA7	R	LGPIO INPUT REGISTER I
9.	0x7FA8	R/W	LGPIO OUTPUT REGISTER I
10.	0x7FA9	R/W	LGPIO LPC SELECT
11.	0x7FAA	R/W	LGPIO GROUP H BUFFER TYPE CONFIGURATION
12.	0x7FAB	R/W	LGPIO GROUP I BUFFER TYPE CONFIGURATION
13.	0x7FAC	R/W	GPIO BUFFER TYPE CONFIGURATION

24.4.3.1 8051 LGPIO Group G Registers

The eight 8051 LGPIO Group G pins are LGPIO50 – LGPIO57. The Group G direction, input and output runtime registers that drive the 8051 LGPIO Group G pins are shown in Table 252, Table 253, and Table 254). Eight GPIO Pass-Through Ports can multiplex LGPIO Group G with LGPIO Group H (see section 24.4.2.2.) See Section 24.6 on page 261 for description of the GPIO PASS-THROUGH PORTS function.

Table 254 – 8051 MMCR LGPIO Direction Register G

HOST ADDRESS	N/A
8051 ADDRESS	0x7FA0
POWER	VCC1
DEFAULT	0x00

	D7	D6	D5	D4	D3	D2	D1	D0
HOST TYPE	-	-	-	-	-	-	-	-
8051 TYPE	R/W	R/W	R/W	R/W	R/W	R/W	R/W	R/W
BIT NAME	LGPIO57 1=output 0=input	LGPIO56 1=output 0=input	LGPIO55 1=output 0=input	LGPIO54 1=output 0=input	LGPIO53 1=output 0=input	LGPIO52 1=output 0=input	LGPIO51 1=output 0=input	LGPIO50 1=output 0=input

Table 255 – 8051 MMCR LGPIO Input Register G

HOST ADDRESS	N/A
8051 ADDRESS	0x7FA1
POWER	VCC1
DEFAULT	N/A

	D7	D6	D5	D4	D3	D2	D1	D0
HOST TYPE	-	-	-	-	-	-	-	-
8051 TYPE	R	R	R	R	R	R	R	R
BIT NAME	status of pin LGPIO57	status of pin LGPIO56	status of pin LGPIO55	status of pin LGPIO54	status of pin LGPIO53	status of pin LGPIO52	status of pin LGPIO51	status of pin LGPIO50

Table 256 – 8051 MMCR LGPIO Output Register G

HOST ADDRESS	N/A
8051 ADDRESS	0x7FA2
POWER	VCC1
DEFAULT	0x00

	D7	D6	D5	D4	D3	D2	D1	D0
HOST TYPE	-	-	-	-	-	-	-	-
8051 TYPE	R/W	R/W	R/W	R/W	R/W	R/W	R/W	R/W
BIT NAME	LGPIO57	LGPIO56	LGPIO55	LGPIO54	LGPIO53	LGPIO52	LGPIO51	LGPIO50

24.4.3.2 8051 LGPIO Group H Registers

The eight 8051 LGPIO Group H pins are LGPIO60 – LGPIO67. The Group H direction, input and output runtime registers that drive the 8051 LGPIO Group H pins are shown in Table 257, Table 258 and Table 259, below.

Table 257 – 8051 MMCR LGPIO Direction Register H

HOST ADDRESS	N/A
8051 ADDRESS	0x7FA3
POWER	VCC1
DEFAULT	0x00

	D7	D6	D5	D4	D3	D2	D1	D0
HOST TYPE	-	-	-	-	-	-	-	-
8051 TYPE	R/W	R/W	R/W	R/W	R/W	R/W	R/W	R/W
BIT NAME	LGPIO67 1=output 0=input	LGPIO66 1=output 0=input	LGPIO65 1=output 0=input	LGPIO64 1=output 0=input	LGPIO63 1=output 0=input	LGPIO62 1=output 0=input	LGPIO61 1=output 0=input	LGPIO60 1=output 0=input

Table 258 – 8051 MMCR LGPIO Input Register H

HOST ADDRESS	N/A
8051 ADDRESS	0x7FA4
POWER	VCC1
DEFAULT	N/A

	D7	D6	D5	D4	D3	D2	D1	D0
HOST TYPE	-	-	-	-	-	-	-	-
8051 TYPE	R	R	R	R	R	R	R	R
BIT NAME	status of pin LGPIO67	status of pin LGPIO66	status of pin LGPIO65	status of pin LGPIO64	status of pin LGPIO63	status of pin LGPIO62	status of pin LGPIO61	status of pin LGPIO60

Table 259 – 8051 MMCR LGPIO Output Register H

HOST ADDRESS	N/A
8051 ADDRESS	0x7FA5
POWER	VCC1
DEFAULT	0x00

	D7	D6	D5	D4	D3	D2	D1	D0
HOST TYPE	-	-	-	-	-	-	-	-
8051 TYPE	R/W	R/W	R/W	R/W	R/W	R/W	R/W	R/W
BIT NAME	LGPIO67	LGPIO66	LGPIO65	LGPIO64	LGPIO63	LGPIO62	LGPIO61	LGPIO60

24.4.3.3 8051 LGPIO Group I Registers

The eight 8051 LGPIO Group I pins are LGPIO70 – LGPIO77. The Group I direction, input and output runtime registers that drive the 8051 LGPIO Group I pins are shown in Table 260, Table 261 and Table 262, below.

Table 260 – 8051 MMCR LGPIO Direction Register I

HOST ADDRESS	N/A
8051 ADDRESS	0x7FA6
POWER	VCC1
DEFAULT	0x00

	D7	D6	D5	D4	D3	D2	D1	D0
HOST TYPE	-	-	-	-	-	-	-	-
8051 TYPE	R/W	R/W	R/W	R/W	R/W	R/W	R/W	R/W
BIT NAME	LGPIO77 1=output 0=input	LGPIO76 1=output 0=input	LGPIO75 1=output 0=input	LGPIO74 1=output 0=input	LGPIO73 1=output 0=input	LGPIO72 1=output 0=input	LGPIO71 1=output 0=input	LGPIO70 1=output 0=input

Table 261 – 8051 MMCR LGPIO Input Register I

HOST ADDRESS	N/A
8051 ADDRESS	0x7FA7
POWER	VCC1
DEFAULT	N/A

	D7	D6	D5	D4	D3	D2	D1	D0
HOST TYPE	-	-	-	-	-	-	-	-
8051 TYPE	R	R	R	R	R	R	R	R
BIT NAME	status of pin LGPIO77	status of pin LGPIO76	status of pin LGPIO75	status of pin LGPIO74	status of pin LGPIO73	status of pin LGPIO72	status of pin LGPIO71	status of pin LGPIO70

Table 262 – 8051 MMCR LGPIO Output Register I

HOST ADDRESS	N/A
8051 ADDRESS	0x7FA8
POWER	VCC1
DEFAULT	0x00

	D7	D6	D5	D4	D3	D2	D1	D0
HOST TYPE	-	-	-	-	-	-	-	-
8051 TYPE	R/W	R/W	R/W	R/W	R/W	R/W	R/W	R/W
BIT NAME	LGPIO77	LGPIO76	LGPIO75	LGPIO74	LGPIO73	LGPIO72	LGPIO71	LGPIO70

24.4.3.4 LPC Select Register

The LPC SELECT register is used to determine the host for the 8-bit LGPIO pin groups (Table 263).

There are three LGPIO pin groups, G – I, and one LPC SELECT bit for each group D0 – D2. When an LPC SELECT bit is “1”, the LGPIO pins in that group are controlled by the LPC Host. When an LPC SELECT bit is “0”, the LGPIO pins in that group are controlled by the 8051.

Note: LPC and 8051 LGPIO runtime register access is unaffected by the LPC SELECT bits. All of the LGPIO pin groups are controlled by the 8051 by default.

APPLICATION NOTE: for the LPC Host to ‘own’ an LGPIO pin group, it should be configured by the 8051 before the BIOS can activate the LPC LGPIO logical device block

Table 263 - LGPIO Pin Group LPC Select Register

HOST ADDRESS	N/A
8051 ADDRESS	0x7FA9
POWER	VCC1
DEFAULT	0x00

	D7	D6	D5	D4	D3	D2	D1	D0
TYPE	R	R	R	R	R	R/W	R/W	R/W
BIT NAME	RESERVED					LPC SELECT GROUP I	LPC SELECT GROUP H	LPC SELECT GROUP G

24.4.3.5 Programmable Buffer Type Registers

The buffer types for the LGPIO Group H and Group I pins are programmable as open-drain or push–push depending on the bits in the LGPIO Group H and LGPIO Group I Buffer Type Configuration registers (Table 264 and Table 265).

When the buffer type configuration bit is “1”, the LGPIO pin output buffer type is open-drain. When the buffer type configuration bit is “0”, the LGPIO pin output buffer type is push-pull.

The buffer types for the OUT0 and GPIO7 pins are programmable as open-drain or push–push depending on the bits in the GPIO Buffer Type Configuration register (Table 266).

Table 264 – LGPIO Group H Buffer Type Configuration Register

HOST ADDRESS	N/A
8051 ADDRESS	0x7FAA
POWER	VCC1
DEFAULT	0x00

	D7	D6	D5	D4	D3	D2	D1	D0
HOST TYPE	-	-	-	-	-	-	-	-
8051 TYPE	R/W	R/W	R/W	R/W	R/W	R/W	R/W	R/W
BIT NAME	LGPIO67	LGPIO66	LGPIO65	LGPIO64	LGPIO63	LGPIO62	LGPIO61	LGPIO60

“1” selects an open-drain buffer type; “0” selects a push-pull buffer type.

Table 265 – LGPIO Group I Buffer Type Configuration Register

HOST ADDRESS	N/A
8051 ADDRESS	0x7FAB
POWER	VCC1
DEFAULT	0x00

	D7	D6	D5	D4	D3	D2	D1	D0
HOST TYPE	-	-	-	-	-	-	-	-
8051 TYPE	R/W	R/W	R/W	R/W	R/W	R/W	R/W	R/W
BIT NAME	LGPIO77	LGPIO76	LGPIO75	LGPIO74	LGPIO73	LGPIO72	LGPIO71	LGPIO70

“1” selects an open-drain buffer type; “0” selects a push-pull buffer type.

Table 266 – GPIO Buffer Type Configuration Register

HOST ADDRESS	N/A
8051 ADDRESS	0x7FAC
POWER	VCC1
DEFAULT	0x00

	D7	D6	D5	D4	D3	D2	D1	D0
TYPE	R	R	R	R	R	R	R/W	R/W
BIT NAME	RESERVED						GPIO7	OUT0

“1” selects an open-drain buffer type; “0” selects a push-pull buffer type.

24.5 BIT-WISE ADDRESSABLE 8051 SFR GPIOs

The LPC47N252 includes two Bit-wise addressable SFR registers (0x80 and 0x90) for SGPIO30 – SGPI37 and SGPIO40 – SGPIO47 (FIGURE 62) and two SGPIO Direction Registers to control the direction of SGPIO pins.

The 8051 **SETB** bit and **CLR** bit instructions are utilized to directly access SGPIO bits where `bit = address + bit`.

SGPIO Input/Output registers share the same 8051 address. Default values of 0x00 shown in the Input/Output register descriptions define the default condition of the output registers. Default values of input registers are defined by the status of respective SGPIO input configured pins.

For information regarding bit-wise addressable SFR registers See Special Function Registers section in APPENDIX B HIGH PERFORMANCE 8051 EXTENDED INTERRUPT UNIT.

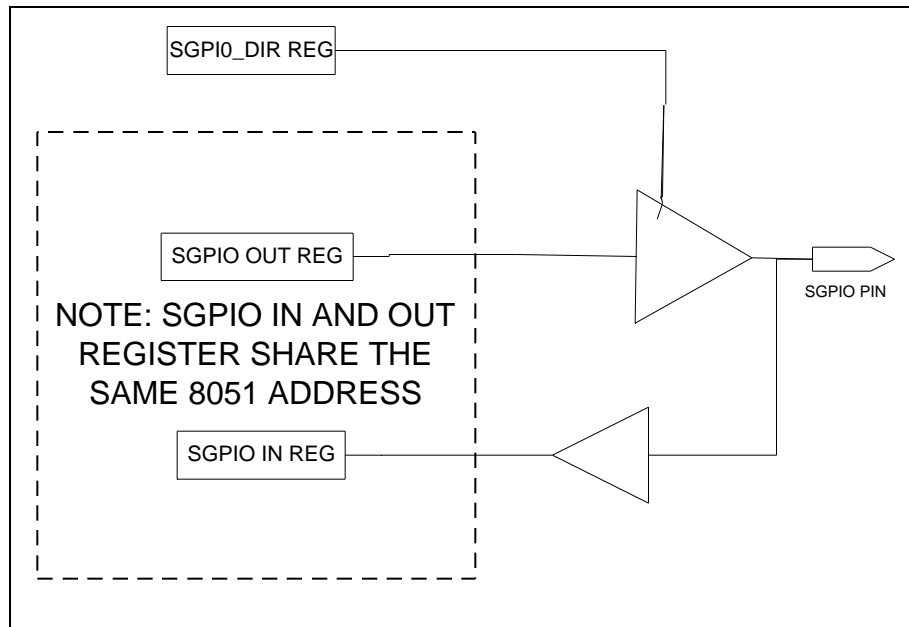


FIGURE 62 - SGPIO PIN BLOCK DIAGRAM

Note: This figure is for illustration purposes only and is not intended to suggest specific implementation details.

Table 267 – SGPIO Input/Output Register J

HOST ADDRESS	N/A
8051 ADDRESS	SFR 0x80
POWER	VCC1
DEFAULT	0x00

	D7	D6	D5	D4	D3	D2	D1	D0
HOST TYPE	-	-	-	-	-	-	-	-
8051 TYPE	R/W	R/W	R/W	R/W	R/W	R/W	R/W	R/W
BIT NAME	SGPIO37	SGPIO36	SGPIO35	SGPIO34	SGPIO33	SGPIO32	SGPIO31	SGPIO30

Table 268 – SGPIO Direction Register J

HOST ADDRESS	N/A
8051 ADDRESS	0x7FAD
POWER	VCC1
DEFAULT	0x00

	D7	D6	D5	D4	D3	D2	D1	D0
HOST TYPE	-	-	-	-	-	-	-	-
8051 TYPE	R/W	R/W	R/W	R/W	R/W	R/W	R/W	R/W
BIT NAME	SGPIO37 1=output 0=input	SGPIO36 1=output 0=input	SGPIO35 1=output 0=input	SGPIO34 1=output 0=input	SGPIO33 1=output 0=input	SGPIO32 1=output 0=input	SGPIO31 1=output 0=input	SGPIO30 1=output 0=input

Table 269 – SGPIO Input/Output Register K

HOST ADDRESS	N/A
8051 ADDRESS	SFR 0x90
POWER	VCC1
DEFAULT	0x00

	D7	D6	D5	D4	D3	D2	D1	D0
HOST TYPE	-	-	-	-	-	-	-	-
8051 TYPE	R/W	R/W	R/W	R/W	R/W	R/W	R/W	R/W
BIT NAME	SGPIO47	SGPIO46	SGPIO45	SGPIO44	SGPIO43	SGPIO42	SGPIO41	SGPIO40

Table 270 – SGPIO Direction Register K

HOST ADDRESS	N/A
8051 ADDRESS	0x7FAE
POWER	VCC1
DEFAULT	0x00

	D7	D6	D5	D4	D3	D2	D1	D0
HOST TYPE	-	-	-	-	-	-	-	-
8051 TYPE	R/W	R/W	R/W	R/W	R/W	R/W	R/W	R/W
BIT NAME	SGPIO47 1=output 0=input	SGPIO46 1=output 0=input	SGPIO45 1=output 0=input	SGPIO44 1=output 0=input	SGPIO43 1=output 0=input	SGPIO42 1=output 0=input	SGPIO41 1=output 0=input	SGPIO40 1=output 0=input

24.6 GPIO PASS-THROUGH PORTS

The LPC47N252 includes eight GPIO Pass-Through Ports. A GPIO Pass-Through Port multiplexes two general purpose I/O pins as shown in FIGURE 63. The GPIO Pass-Through Port (GPTP) can connect either the GPIOm pin or GPIOn to the GPIOn pin. The GPTPs are controlled by the PTMUX bits found in the GPIO Pass-Through Port Mux register (see section 24.6.1 GPIO Pass-Through Port Mux Register). The eight GPTPs and their related PTMUX bits are shown below in Table 271.

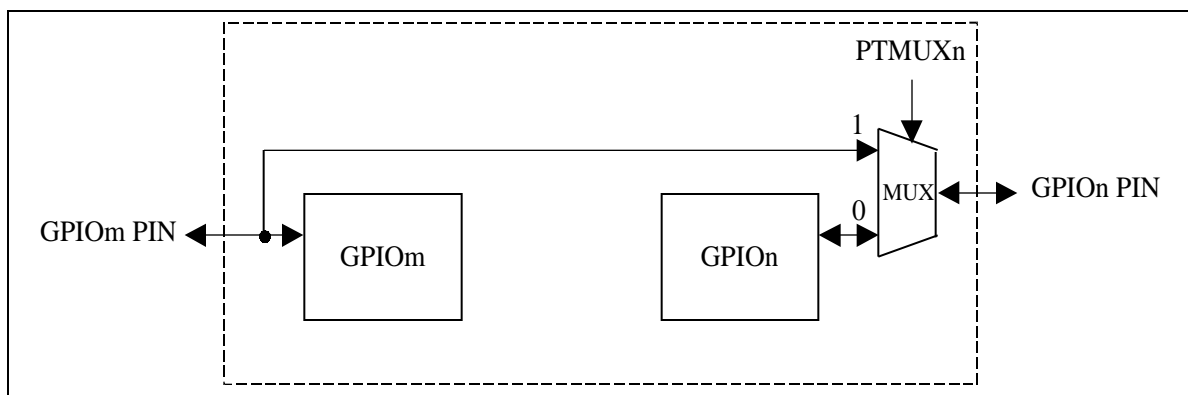


FIGURE 63 - GPIO PASS-THROUGH PORT

Note: This figure is for illustration purposes only and is not intended to suggest specific implementation details.

The eight GPIO Pass-Through Port multiplex LGPIO Group G (see section 24.4.3.1) with LGPIO Group H (see section 24.4.2.2.)

Table 271 - Eight Kahuna GPIO Pass-Through Ports

	GPIO PAIR (see Note 58)		MUX CONTROL (see Note 59)
	GPIOm (see Note 60)	GPIOn	
1.	LGPIO50	LGPIO60	PTMUX1
2.	LGPIO51	LGPIO61	PTMUX2
3.	LGPIO52	LGPIO62	PTMUX3
4.	LGPIO53	LGPIO63	PTMUX4
5.	LGPIO54	LGPIO64	PTMUX5
6.	LGPIO55	LGPIO65	PTMUX6
7.	LGPIO56	LGPIO66	PTMUX7
8.	LGPIO57	LGPIO67	PTMUX8

Note 58: See FIGURE 63 - GPIO PASS-THROUGH PORT.

Note 59: See Table 272 – GPIO Pass-Through Port Mux (GPTM) Register.

Note 60: These pins can generate 8051 interrupts and wake (See FIGURE 14, FIGURE 15, Table 118, and Table 125 in section 11.9, 8051 Interrupts, which starts on page 136).

24.6.1 GPIO PASS-THROUGH PORT MUX REGISTER

The GPIO Pass-Through Port Mux Register contains the eight PTMUX bits that are used to control the Kahuna GPIO Pass-Through Ports (Table 272). When a PTMUX bit is '0' (default), the pass-through mode is disabled and the GPIO pins function normally. When a PTMUX bit is '1', the pass-through mode is enabled, GPIOn (FIGURE 63) is disconnected and the signal at the GPIOm pin appears unmodified at the GPIOn pin (see section 24.6.2 GPTP Multiplexer, below).

The GPTM register is powered by VCC1 and is controlled solely by the 8051.

Table 272 – GPIO Pass-Through Port Mux (GPTM) Register

HOST ADDRESS	N/A
8051 ADDRESS	0x7F85
POWER	VCC1
DEFAULT	0x00

	D7	D6	D5	D4	D3	D2	D1	D0
HOST TYPE	-	-	-	-	-	-	-	-
8051 TYPE	R/W	R/W	R/W	R/W	R/W	R/W	R/W	R/W
BIT NAME	PTMUX8	PTMUX7	PTMUX6	PTMUX5	PTMUX4	PTMUX3	PTMUX2	PTMUX1

24.6.2 GPTP MULTIPLEXER

The GPIO Pass-Through Port Multiplexer determines connectivity for GPIO pin as shown in FIGURE 63. GPIO pin can be either an input or an output depending on the state of the PTMUX bit and the GPIO direction register. In Pass-Through mode, GPIO pin is always an output. In Normal mode, the GPIO pin direction depends upon the GPIO Direction register (Table 273).

Table 273 - GPTP Multiplexer Direction Controls

GPIOm DIRECTION	GPIOn DIRECTION	PTMUX	GPIOn PIN TYPE	DESCRIPTION
IN	X	1	OUTPUT	PASS-THROUGH MODE
OUT	X	1	See Note 60	
X	IN	0	INPUT	NORMAL (GPIO) MODE
X	OUT	0	OUTPUT	

Note 61: When Pass through Mode is enabled, the GPIO pin TYPE is disconnected from the GPIO registers and the GPIO pin signal appears on GPIO pin. The GPIO 8051 LGPIO input register does not reflect the state of the GPIO pin. This is the Pass Through Mode exception to **Note 57**.

25 MULTIFUNCTION PIN

25.1 OVERVIEW

Many of the LPC47N252's signal pins provide alternate functions which may be enabled by the 8051 firmware based on the system design requirements. See Table 4 - Alternate Function Pinson page 15 for a complete list of all of the multifunction pins. The 8051 firmware controls the multiplexing functions for each of the multiplexed pins through the registers described in this section. See the sub-sections that follow for a description of all of the MISC bits in the Multiplexing_1, Multiplexing_2, and Multiplexing_3 registers.

In Kahuna the KBD Scan Interface Pins are multiplexed to support the 8051 Flash Interface. The multiplex functions for these pins are not controlled by the 8051. For information about the multiplexed KBD Scan Interface Pins see section 13.6 ATE Flash Program Access on page 172 and section 13.7 External Flash Interface on page 175.

25.2 FUNCTIONS AVAILABLE ON MORE THAN ONE PIN

The KBRST function can be made available on three pins: OUT8, KSO12 and OUT5. The OUT8 function can be made available on two pins OUT8 and KSO12. The multiplex controls for these functions are described below. The OUT8, KSO12, KSO13 and GPIO17 pin functions all depend on the MISC17 and MISC6 multiplex control bits (Table 274). Note that OUT8 and KBRST cannot simultaneously exist on pins OUT8 and KS012 (FIGURE 64).

Table 274 - Multiplexing Register Bits Misc17 and Misc6

MISC BITS		PHYSICAL PINS			
17	6	OUT8	KSO12	KSO13	GPIO17
0	0	OUT8	KSO12	KSO13	GPIO17
0	1	KBRST	KSO12	KSO13	GATEA20
1	0	OUT8	OUT8	GPIO18	GPIO17
1	1	KBRST	KBRST	GPIO18	GATEA20

Note: see section 25.3

MISC6 – D6 on page 264 and section 0 MISC17 – D1 on page 269.

Table 275 - Multiplexing Register Bits Misc5 and Misc22

MISC BITS		PHYSICAL PINS	
5	22	OUT5	OUT6
1	X	nDS1	nMTR1
0	0	OUT5	OUT6
0	1	KBRST	OUT6

Note: see section 0 MISC5 – D5 on page 264 and section 0 MISC 22 – D6. 0

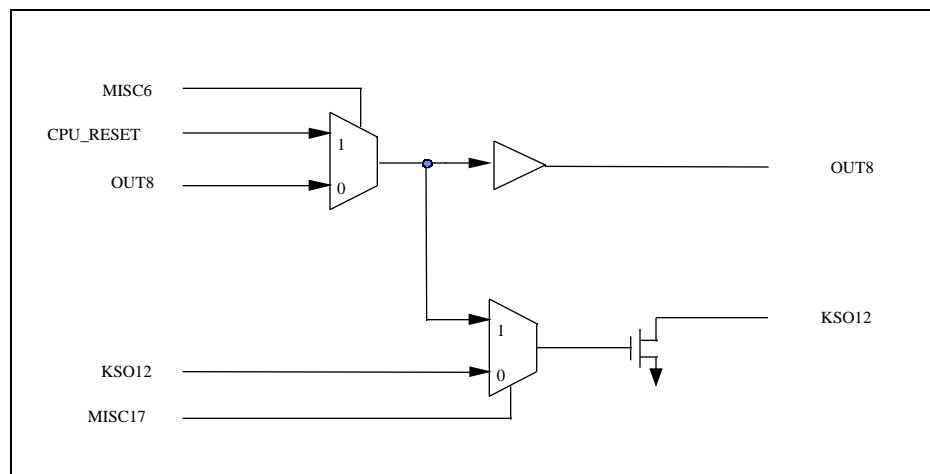


FIGURE 64 - OUT8 AND KSO12 ALTERNATE FUNCTION OPERATION

25.3 MULTIPLEXING_1 REGISTER - MISC[7:0]

Table 276 - Multiplexing_1 Register

HOST ADDRESS	N/A
8051 ADDRESS	0x7F3D
POWER	VCC1
DEFAULT	0x00

	D7	D6	D5	D4	D3	D2	D1	D0
HOST TYPE	-	-	-	-	-	-	-	-
8051 TYPE	R/W	R/W	R/W	R/W	R/W	R/W	R/W	R/W
BIT NAME	MISC7	MISC6	MISC5	MISC4	MISC3	MISC2	MISC1	MISC0

MISC7 – D7

The MISC7 bit is used in Kahuna to select the pin function and the buffer mode between GPIO8 – GPIO9 and IRRX and IRTX (Table 277).

Table 277 - Misc7 Bit

PIN	MISC7 = 0 (DEFAULT)	MISC7 = 1
GPIO8	GPIO8	IRCC BLOCK COM-RX PORT
GPIO9	GPIO9	IRCC BLOCK COM-TX PORT

MISC6 – D6

The MISC6 bit is used in Kahuna to select the pin function and the buffer mode between GPIO17 and GATEA20 (Table 278). MISC6 also affects the multiplex functions of the OUT8, KSO12 pins (see Section 25.2 on page 263 for Multiplexing control register interactive effects).

Table 278 - Misc6 Bit

PIN	MISC6 = 0 (DEFAULT)	MISC6 = 1
GPIO17	GPIO17	GATEA20

MISC5 – D5

The MISC5 bit is used in Kahuna to select the pin function and the buffer mode between OUT5, OUT6, and the FDC Floppy 1 drive controls nDS1 and nMTR1 (Table 279). MISC5 also affects the multiplexing of the KBRST function on the OUT5 pin (see Section 25.2 on page 263 for Multiplexing control register interactive effects).

Table 279 - Misc5 Bit

PIN	MISC5 = 0 (DEFAULT)	MISC5 = 1
OUT5	OUT5	nDS1
OUT6	OUT6	nMTR1

MISC4 – D4

The MISC4 bit is used in Kahuna to select the pin function and the buffer mode between OUT10 and PWM0 for the OUT10 pin (Table 280).

Table 280 – Misc4 Bit

MISC4	DESCRIPTION
0	OUT10 Pin Function Selected (DEFAULT)
1	PWM0 Pin Function Selected

MISC[3,1] – D3 and D1

The MISC3 bit, along with the MISC1 bit, is used in Kahuna to select the pin function and the buffer mode between GPIO20 and GPIO21, the 8051 UART RX and TX, and the PS/2 CLK and DATA (Table 281).

Table 281 - Misc3 And Misc1 Bits

MISC[3,1]	PIN GPIO20	PIN GPIO21
[0,0] (DEFAULT)	GPIO20 + 8051_RX *	GPIO21
[0,1]	PS2CLK	PS2DAT
[1,0]	GPIO20 + 8051_RX *	8051_TX **
[1,1]	PS2CLK	PS2DAT

* GPIO20_DIR bit should be set to 0 when operating as an 8051_RX pin.

** GPIO21_DIR bit must be set to 1 when operating as an 8051_TX pin.

The PS/2 pins on GPIO20 and GPIO21 are disabled (internally pulled high) when the non-PS/2 alternate functions are selected. The PS/2 inputs under this condition are seen as a high to the PS/2 Device Interface logic.

Whenever a PS/2 channel is not enabled, the input signals to that channel must be high. Kahuna provides this through the use of weak pull-ups since the EM and KB channels share a common receive path and the IM and PS2 channels also share a common receive path.

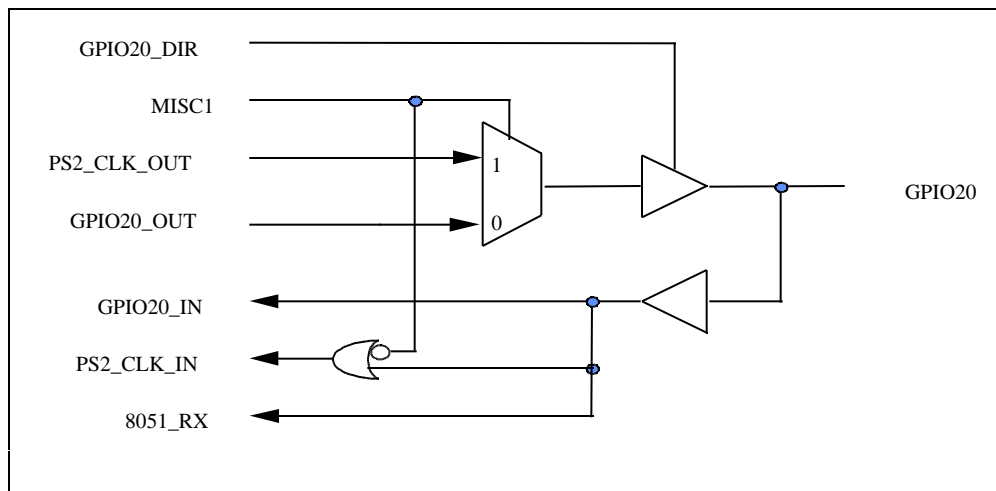


FIGURE 65 - GPIO20 ALTERNATE FUNCTION STRUCTURE

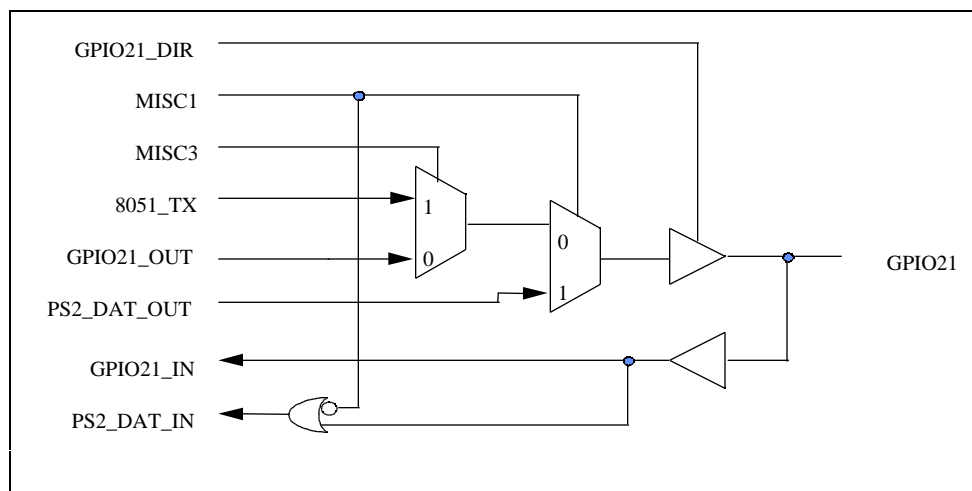


FIGURE 66 - GPIO21 ALTERNATE FUNCTION STRUCTURE

MISC2 – D2

The MISC2 bit is used in Kahuna to select use of the IRCC Block and the IR DATA Register.

Table 282 - Misc2 Bit

PIN	MISC2 = 0 (DEFAULT)	MISC2 = 1
IRTX	FROM IRCC BLOCK	FROM IR DATA REGISTER
IRRX	FROM IRCC BLOCK	FROM IR DATA REGISTER

MISC0 – D0

The MISC0 bit is used in Kahuna to select the pin function and the buffer mode between OUT1 and nIRQ8 (Table 283)

Table 283 - Misc0 Bit

MISC0	DESCRIPTION
0	OUT1 Pin Function Selected (DEFAULT)
1	nIRQ8 Pin Function Selected

25.4 MULTIPLEXING_2 REGISTER - MISC[16:9]

Table 284 - Multiplexing_2 Register

HOST ADDRESS	N/A
8051 ADDRESS	0x7F40
POWER	VCC1
DEFAULT	0x00

	D7	D6	D5	D4	D3	D2	D1	D0
HOST TYPE	-	-	-	-	-	-	-	-
8051 TYPE	R/W	R/W	R/W	R/W	R/W	R/W	R/W	R/W
BIT NAME	MISC16	MISC15	MISC14	MISC13	MISC12	MISC11	RESERVED	MISC9

MISC[16:15], D7 – D6

The MISC16 and MISC15 bits are used in Kahuna to select the pin function and the buffer mode between GPIO6 and the IrCC 2.0 IRMODE and IRRX3 functions (Table 285).

Table 285 – Misc[16:15] Bits

MISC[16:15]	PIN GPIO6
[0:0] (DEFAULT)	GPIO10
[0:1]	IR_MODE (IRCC GP DATA) OUTPUT
[1:0]	IRRX3 INPUT
[1:1]	RESERVED

Note 62: The function of the GPIO10 pin is RESERVED when MISC[16:15] = 1,1 (Table 285).

MISC[14:13], D5 – D4

The MISC14 and MISC13 bits are used in Kahuna to select the pin function and the buffer mode between GPIO6 and the IrCC 2.0 IRMODE and IRRX3 functions (Table 286).

Table 286 - Misc14 And Misc13 Bits

MISC[14:13]	PIN GPIO6
[0:0] (DEFAULT)	GPIO6
[0:1]	IR_MODE (IRCC GP DATA) OUTPUT
[1:0]	IRRX3 INPUT
[1:1]	RESERVED

Note 63: The function of the GPIO6 pin is RESERVED when MISC[14:13] = 1,1 (Table 286).

MISC12 – D3

The MISC12 bit is used in Kahuna to select the pin function and buffer mode between OUT11 and PWM1 for the OUT11 pin (Table 287).

Table 287 – Misc12 Bit

MISC12	DESCRIPTION
0	OUT11 Pin Function Selected (DEFAULT)
1	PWM1 Pin Function Selected

MISC11

The MISC11 bit is used in Kahuna to select the pin function and the buffer mode between OUT9 and PWM0 for the OUT9 pin (Table 288).

Table 288 - Misc11 Bit

MISC4	DESCRIPTION
0	OUT9 Pin Function Selected (DEFAULT)
1	PWM2 Pin Function Selected

MISC10

The MISC10 bit is reserved

MISC9

The MISC9 bit is used in Kahuna to select the between GPIO and Keyboard Scan Output alternate function and the buffer modes for the GPIO4 and GPIO5 pins (Table 289).

Table 289 - Misc9 Bit

MISC9	PIN GPIO4	GPIO5
0 (DEFAULT)	GPIO4	GPIO5
1	KSO14	KSO15

Note: When the KSO14 and KSO15 functions are enabled, the direction bits for GPIO4 and GPIO5 in 8051 MMCR 0x7F18 have to be set to '1' for the KSO14 and KSO15 pins to function normally. When the KSO14 and KSO15 functions are enabled and the GPIO[5:4] direction bits are set to '0', the KSO14 and KSO15 output drivers are disabled; i.e., the KSO14 and KSO15 pins are inputs.

25.5 MULTIPLEXING_3 REGISTER - MISC[23:17]

Table 290 – Multiplexing_3 Register

HOST ADDRESS	N/A
8051 ADDRESS	0x7F30
POWER	VCC1
DEFAULT	0x00

	D7	D6	D5	D4	D3	D2	D1	D0
HOST TYPE	-	-	-	-	-	-	-	-
8051 TYPE	R/W	R/W	R/W	R/W	R/W	R/W	R/W	R/W
BIT NAME	MISC23	MISC22	MISC21	MISC20	MISC19	MISC18	MISC17	RESERVED

MISC23 – D7

The MISC23 bit is used to select the pin function and the buffer mode between GPIO15 and FAN_TACH1 for the GPIO15 pin (Table 291).

Table 291 - Misc23 Bit

MISC23	DESCRIPTION
0	GPIO15 Function Selected (DEFAULT)
1	FAN_TACH1 Function Selected

MISC22 – D6

The MISC22 bit is used along with the MISC5 bit in Multiplexing_1 register to select the KBRST alternate function #2 of the OUT5 pin (Table 292). See Section 25.2 on page 263 for Multiplexing control register interactive effects.

Table 292 - Misc22 Bit

MISC5	MISC22	DESCRIPTION
1	X	nDS1 Pin Function Selected.
0	0	OUT5 Pin Function Selected (DEFAULT)
0	1	KBRST Pin Function Selected

MISC21 – D5

The MISC21 bit is used to select the pin function and the buffer mode between GPIO16 and FAN_TACH2 for the GPIO16 pin (Table 293).

Table 293 - Misc21 Bit

MISC23	DESCRIPTION
0	GPIO16 Function Selected (DEFAULT)
1	FAN_TACH2 Function Selected

MISC[20:19] D4 – D3

The MISC20 and MISC19 bits are used to select the pin function and the buffer mode between the switched ACCESS.Bus 2 interface and the GPIO11, GPIO12, GPIO13 and GPIO14 pins. The MISC20 and MISC19 bits control the number of pins allocated for ACCESS.Bus 2 interface alternate functions as follows: ACCESS.Bus 2 interface (4 pins), unswitched ACCESS.Bus 2 interface (2 pins), or no ACCESS.Bus 2 interface (0 pins). Pins not allocated to the ACCESS.Bus 2 interface are allocated to GPIO interface.

Table 294 - Misc[20:19] Bits

MISC19	MISC20	PIN GPIO11	PIN GPIO12	PIN GPIO13	PIN GPIO14	DESCRIPTION
0	0	GPIO11	GPIO12	GPIO13	GPIO14	Four GPIO pins (Default)
0	1	AB2A_DATA	AB2A_CLK	GPIO13	GPIO14	Switched Access.Bus2 and Two GPIO pins
1	0	AB2A_DATA	AB2A_CLK	AB2B_DATA	AB2B_CLK	Switched Access.Bus 2
1	1					Reserved

Note 64: The function of the GPIO10 pin is RESERVED when MISC[20:19] = 1,1 (Table 294).

Note 65: When the Access Bus 2 function is enabled, the direction bits for GPIO11, GPIO12, GPIO13 and GPIO14 in 8051 MMCR 0x7F1B have to be set as outputs for the Access Bus 2 pins to function normally. Access Bus 2 is the alternate function for these pins. When the Access Bus 2 function is enabled and the GPIO[11:14] direction bits are set as inputs, the Access Bus 2 controller can monitor, but not drive, the Access Bus 2 Clock and Data pins.

MISC18 – D2

The MISC18 bit is used in Kahuna, along with bit D3 in the ESMI Mask register to select the pin function and buffer mode for the OUT7 pin and the SMI transfer mechanism to the host. (Table 295). When MISC18 = '0', the primary function of the OUT7 pin is selected and the SMI is routed to the Serial IRQ interface. If the SMI is masked, SIRQ slot3 is available as IRQ2. When MISC18 = '1', the alternate nSMI function of the OUT7 pin is selected, the pad is

driven open-drain, and the Serial IRQ slot3 is available as IRQ2. The ESMI Mask register is MBX97h. See Section 19.7, ESMI REGISTERS on page 228.

Table 295 – Misc18 And Esmi Mask Bits

ESMI MASK REGISTER	MISC18	FUNCTION		DESCRIPTION
		OUT7 PIN	SIRQ SLOT3	
D3				
0	0	OUT7	nSMI	SERIAL SMI (DEFAULT)
0	1	nSMI	IRQ2	PARALLEL SMI, SERIAL IRQ IRQ2 AVAILABLE
1	0	OUT7	IRQ2	MASKED SERIAL SMI, IRQ2 AVAILABLE
1	1	nSMI	IRQ2	PARALLEL SMI MASKED (INACTIVE), IRQ2 AVAILABLE

MISC17 – D1

The MISC17 bit is used in Kahuna to select the pin function and buffer mode between KSO13 and GPIO18 on pin KSO13 (Table 296). MISC17 also affects the multiplex functions for the OUT8, KSO12 and KSO13 pins (see Section 25.2 on page 263 for Multiplexing control register interactive effects).

The MISC17 bit is used in the LPC47N252 to select the pin function and buffer mode between GPIO18 and nDACK2 on pin GPIO18 and between KSO13 and GPIO18 on pin KSO13.

Table 296 - Misc17

MISC17	PIN KSO13
0	KSO13
1	GPIO18

MISC8 – D0

The MISC8 bit is RESERVED.

26 ACPI PM1 BLOCK

26.1 ACPI PM1 BLOCK OVERVIEW

The LPC47N252 supports ACPI as described in this section. These features comply with the ACPI Specification, Revision 1.0, through a combination of hardware and 8051 software.

The LPC47N252 implements the ACPI fixed registers but includes only those bits that apply to the power button sleep button and RTC alarm events. The ACPI WAK_STS, SLP_TYPx, and SLP_EN bits are also supported.

The registers in the LPC47N252 ACPI PM1 Block occupy eight addresses in the host I/O space and are specified as offsets from the ACPI PM1 Block base address. The ACPI PM1 Block base address is relocatable depending on the values programmed in LPC47N252 configuration registers CR60 and CR61 in Logical Device Number 1.

The functions described in the following sub-sections can generate a SCI event on the nEC_SCI pin. In the LPC47N252, an SCI event is considered the same as an ACPI wakeup or runtime event. The 8051 can also generate a SCI on the nEC_SCI pin by setting the 8051_SCI_STS bit in the 8051_PM_STS register (see nEC_SCI Pin Interface).

26.2 ACPI PM1 BLOCK SCI EVENT-GENERATING FUNCTIONS

Power Button With Override

The power button has a status and an enable bit in the PM1_BLK of registers to provide an SCI upon the button press. The status bit is software Read/Writeable by the 8051; the enable bit is Read-only by the 8051. It also has a status and enable bit in the PM1_BLK of registers to indicate and control the power button override (fail-safe) event. These bits are not required by ACPI. The power button override event status bit is software Read/Writeable by the 8051; the enable bit is software read-only by the 8051. The enable bit for the override event is located at bit 1 in the PM1_CNTRL2 register.

The power button enable bit is set by the Host to enable the generation of an SCI due to the power button event. The status bit is set by the 8051 when it generates a power button event and is cleared by the Host writing a '1' to this bit (writing a '0' has no effect); it can also be cleared by the 8051. If the enable bit is set, the 8051 will generate an SCI power management event.

Sleep Button

The sleep button has a status and an enable bit in the PM1_BLK of registers to provide an SCI upon the button press. The status bit is software Read/Writeable by the 8051; the enable bit is Read-only by the 8051.

The sleep button enable bit is set by the Host to enable the generation of an SCI due to the sleep button event. The status bit is set by the 8051 when it generates a sleep button event and is cleared by the Host writing a '1' to this bit (writing a '0' has no effect); it can also be cleared by the 8051. If the enable bit is set, the 8051 will generate an SCI power management event.

RTC Alarm

The ACPI specification requires that the RTC alarm generate a hardware wake-up event from the sleeping state. The RTC alarm can be enabled as an SCI event and its status can be determined through bits in the PM1_BLK of registers. The status bit is software Read/Writeable by the 8051; the enable bit is Read-only by the 8051.

The RTC enable bit is set by the Host to enable the generation of an SCI due to the RTC alarm event. The status bit is set by the 8051 when the RTC generates an alarm event and is cleared by the Host writing a '1' to this bit (writing a '0' has no effect); it can also be cleared by the 8051. If the enable bit is set, the 8051 will generate an SCI power management event.

26.3 ACPI PM1 BLOCK BASE ADDRESS

Logical Device 1 in the LPC47N252 configuration space supports the ACPI PM1 Block registers interface. Three device configuration registers in LDN1 provide activation control and the base address programming for the ACPI PM1 Block registers (Table 297). Register 0x30 is the Activate register. The activation control (LDN1:CR30.0) qualifies address decoding for the ACPI PM1 Block registers; e.g., if the Activate bit D0 in the Activate register is "0", the PM1 Block addresses will not be decoded; if the Activate bit is "1", PM1 Block addresses will be decoded depending on the values programmed in the ACPI PM1 Block Primary Base Address registers. Registers 0x60 and 0x61 are the ACPI PM1 Block Primary Base Address registers. Register 0x60 is the ACPI PM1 Block Primary Base Address High Byte, register 0x61 is the ACPI PM1 Block Primary Base Address Low Byte. **Note:** The ACPI PM1

Block base address must be located on eight-byte boundaries; i.e., bits D0 – D2 in the ACPI PM1 Block Primary Base Address Low Byte must be “0”. Valid ACPI PM1 Block base address values are 0x0000 – 0x0FF8.

Table 297 – ACPI PM1 Block Configuration Registers (LDN1)

INDEX	TYPE	HARD RESET	SOFT RESET	VCC2 POR	VCC1 &VCC 0 POR	DESCRIPTION							
						D7	D6	D5	D4	D3	D2	D1	D0
0x30	R/W	0x00	0x00	0x00	-	Activate							
						RESERVED							Activate
0x60	R/W	0x00	0x00	0x00	-	ACPI PM1 Block Primary Base Address High Byte							
						“0”	“0”	“0”	“0”	A11	A10	A9	A8
0x61	R/W	0x00	0x00	0x00	-	ACPI PM1 Block Primary Base Address Low Byte							
						A7	A6	A5	A4	A3	“0”	“0”	“0”

26.4 ACPI PM1 BLOCK

Description

The ACPI register model consists of a number of fixed register blocks that perform designated functions. A register block consists of a number of registers that perform Status, Enable and Control functions. The ACPI specification deals with events (which have an associated interrupt status and enable bits, and sometimes an associated control function) and control features. The status registers illustrate what defined function is requesting ACPI interrupt services (SCI). Any status bit in the ACPI specification has the following attributes:

- Status bits are only set through some defined hardware or 8051 event.
- Unless otherwise noted, Status bits are cleared by the system writing a “1” to that bit position, and upon VCC1 POR. Writing a ‘0’ has no effect.
- Status bits only generate interrupts while their associated bit in the enable register is set.
- Function bit positions in the status register have the same bit position in the enable register (there are exceptions to this rule, special status bits have no enables).
- Note that this implies that if the respective enable bit is reset and the hardware event occurs, the respective status bit is set; however no interrupt is generated until the enable bit is set. This allows software to test the state of the event (by examining the status bit) without necessarily generating an interrupt. There are a special class of status bits that have no respective enable bit, these are called out specifically, and the respective enable bit in the enable register is marked as reserved for these special cases.
- The enable registers allow the setting of the status bit to generate an interrupt (under 8051 control). As a general rule there is an enable bit in the enable register for every status bit in the status register. The control register provides special controls for the associated event, or special control features that are not associated with an interrupt event. The order of a register block is the status registers, followed by enable registers, followed by control registers.

26.5 REGISTERS

The registers in the LPC47N252 ACPI PM1 Block occupy eight addresses in the host I/O space and are specified as offsets from the ACPI PM1 Block base address (Table 298).

The registers in the PM1 Block are powered by VCC1.

Table 298 – ACPI PM1 Block Registers

REGISTER	SIZE (bits)	OFFSET	ADDRESS
PM1_STS 1	8	0	<ACPI PM1 Block Base Address>
PM1_STS 2	8	1	<ACPI PM1 Block Base Address>+1h
PM1_EN 1	8	2	<ACPI PM1 Block Base Address>+2h
PM1_EN 2	8	3	<ACPI PM1 Block Base Address>+3h
PM1_CNTRL 1	8	4	<ACPI PM1 Block Base Address>+4h
PM1_CNTRL 2	8	5	<ACPI PM1 Block Base Address>+5h
RESERVED	8	6	<ACPI PM1 Block Base Address>+6h
RESERVED	8	7	<ACPI PM1 Block Base Address>+7h

26.5.1 POWER MANAGEMENT 1 STATUS REGISTER 1 (PM1_STS 1)

Host Register Location: <ACPI PM1 Block Base Address> System I/O Space
8051 Register Location: n/a
Default Value: 00h on VCC1 POR
Host Attribute: Read
Size: 8-bits

BIT	NAME	DESCRIPTION
0-7	Reserved	Reserved. These bits always return a value of zero.

26.5.2 POWER MANAGEMENT 1 STATUS REGISTER 2 (PM1_STS 2)

Host Register Location: <ACPI PM1 Block Base Address>+1h System I/O Space
8051 Register Location: 0x7F80
Default Value: 00h on VCC1 POR
Host Attribute: Read/Write (Note 1)
8051 Attribute: Read/Write
Size: 8-bits

Note 1: These bits are set/cleared by the 8051 directly i.e., writing '1' sets the bit and writing '0' clears it. These bits can also be cleared by the Host software writing a one to this bit position and by VCC1 POR. Writing a 0 by the Host has no effect.

An interrupt is generated to the 8051 when the Host writes to this register.

BIT	NAME	DESCRIPTION
0	PWRBTN_STS	This bit can be set or cleared by the 8051 to simulate a Power button status if the power is controlled by the 8051. The Host writing a one to this bit can also clear this bit. The 8051 must generate the associated SCI interrupt under software control.
1	SLPBTN_STS	This bit can be set or cleared by the 8051 to simulate a Sleep button status if the sleep state is controlled by the 8051. The Host writing a one to this bit can also clear this bit. The 8051 must generate the associated SCI interrupt under software control.
2	RTC_STS	This bit can be set or cleared by the 8051 to simulate a RTC status. The Host writing a one to this bit can also clear this bit. The 8051 must generate the associated SCI interrupt under software control.
3	PWRBTNOR_STS	This bit can be set or cleared by the 8051 to simulate a Power button override event status if the power is controlled by the 8051. The Host writing a one to this bit can also clear this bit. The 8051 must generate the associated hardware event under software control.
4-6	Reserved	Reserved. These bits always return a value of zero.
7	WAK_STS	This bit can be set or cleared by the 8051. The Host writing a one to this bit can also clear this bit.

26.5.3 POWER MANAGEMENT 1 ENABLE REGISTER 1 (PM1_EN 1)

Host Register Location: <ACPI PM1 Block Base Address>+2 System I/O Space
8051 Register Location: n/a
Default Value: 00h on VCC1 POR
Host Attribute: Read
Size: 8-bits

BIT	NAME	DESCRIPTION
0-7	Reserved	Reserved. These bits always return a value of zero.

26.5.4 POWER MANAGEMENT 1 ENABLE REGISTER 2 (PM1_EN 2)

Host Register Location: <ACPI PM1 Block Base Address>+3 System I/O Space
 8051 Register Location: 0x7F81
 Default Value: 00h on VCC1 POR
 Host Attribute: Read/Write
 8051 Attribute: Read
 Size: 8-bits

An interrupt is generated to the 8051 when the Host writes this to register.

BIT	NAME	DESCRIPTION
0	PWRBTN_EN	This bit can be read or written by the Host. It can be read by the 8051
1	SLPBTN_EN	This bit can be read or written by the Host. It can be read by the 8051
2	RTC_EN	This bit can be read or written by the Host. It can be read by the 8051
3-7	RESERVED	RESERVED bits cannot be written and return "0" when read.

26.5.5 POWER MANAGEMENT 1 CONTROL REGISTER 1 (PM1_CNTRL 1)

Host Register Location: <ACPI PM1 Block Base Address>+4 System I/O Space
 8051 Register Location: n/a
 Default Value: 00h on VCC1 POR
 Host Attribute: Read
 Size: 8-bits

BIT	NAME	DESCRIPTION
0-7	RESERVED	RESERVED bits cannot be written and return "0" when read.

26.5.6 POWER MANAGEMENT 1 CONTROL REGISTER 2 (PM1_CNTRL 2)

Host Register Location: <ACPI PM1 Block Base Address>+5 System I/O Space
 8051 Register Location: 0x7F82
 Default Value: 00h on VCC1 POR
 Host Attribute: Read/Write
 8051 Attribute: Read. **Note:** Bit 5 is Read/Write
 Size: 8-bits

An interrupt is generated to the 8051 when the Host writes to this register.

BIT	NAME	DESCRIPTION
0	Reserved	Reserved. This field always returns zero.
1	PWRBTNOR_EN	This bit can be set or cleared by the Host, read by the 8051
2-4	SLP_TYPx	These bits can be set or cleared by the Host, read by the 8051
5	SLP_EN	This bit is R/W by the Host; reads by the Host always return '0'. This bit can be set (written as '1') but not cleared by the Host (writing '0' has no effect). This bit is R/W by the 8051, and reads by the 8051 return the true value of the bit. When set by the Host, this bit is cleared by the 8051 writing a '1' to it; writing '0' has no effect.
6-7	RESERVED	RESERVED bits cannot be written and return "0" when read.

26.6 nEC_SCI PIN INTERFACE

The nEC_SCI pin logic hardware is shown in FIGURE 65.

Any or all of the PWRBTN_STS, SLPBTN_STS, and RTC_STS bits in the PM1_STS 2 register can assert the nEC_SCI pin if enabled by the PWRBTN_EN, SLPBTN_EN, and RTC_EN bits in the PM1_EN 2 register. See descriptions of these registers, above.

The 8051_SCI_STS bit can assert the nEC_SCI pin at any time, without being enabled. The 8051_SCI_STS bit is located in the 8051_PM_STS register at MMCR address 0x7F83h (Table 299).

The 8051_SCI_STS bit is in the LPC47N252 and is read/write by the 8051. If the 8051_SCI_STS bit is “1”, an interrupt is generated on the nEC_SCI pin.

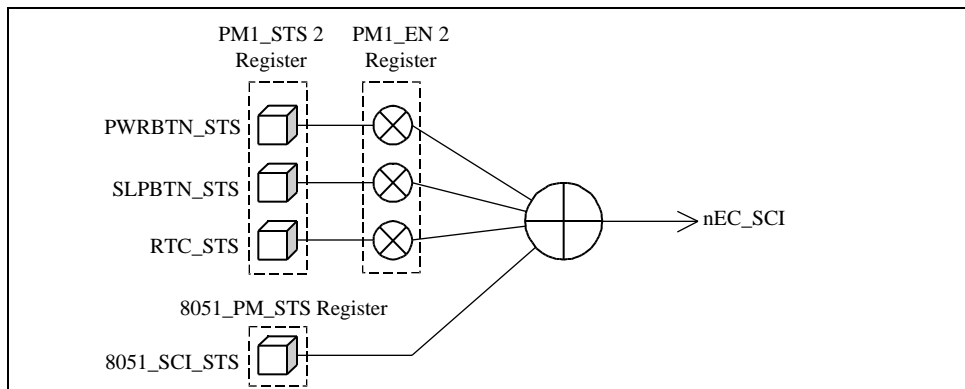


FIGURE 67 – HARDWARE nEC_SCI INTERFACE

Table 299 – 8051_Pm_Sts Register

HOST ADDRESS	8051 ADDRESS	POWER PLANE	DEFAULT
-	0x7F83	VCC1	0x00

	D7	D6	D5	D4	D3	D2	D1	D0
HOST TYPE	-	-	-	-	-	-	-	-
8051 TYPE	R	R	R	R	R	R	R	R/W
BIT NAME	RESERVED (RESERVED bits cannot be written and return “0” when read)							8051_SCI_STS

27 REAL TIME CLOCK

27.1 GENERAL DESCRIPTION

The Real Time Clock Supercell (RTC) is a complete time of day clock with alarm, day of month alarm, one hundred year calendar, a century byte, and a programmable periodic interrupt. The RTC address space consists of two-128 bytes.banks of CMOS RAM (Bank0 and Bank1.) Each bank is accessible via address and data ports. These access ports have relocatable addresses and are accessible by both the host and the 8051. Each bank's last addressable location accesses the Shared RTC Control. The remaining 127 bytes of Bank0 contain the following: eleven registers of time, calendar, century , and alarm data, four control and status registers, and 111 bytes of general purpose registers. The remaining 127bytes of Bank1 contain general purpose registers.

Features:

- Allow 32kHz clock input or a 32kHz crystal.
- Counts seconds, minutes, and hours of the day.
- Counts days of the week, date, month and year.
- Binary or BCD representation of time, calendar and alarm.
- 24 hour daily alarm.
- 30-day alarm.
- RTC/CMOS Bank Addresses are relocatable.
- The RTC CMOS Bank0 index register (70h) is shadowed
- RTC Interrupt (IRQ8) is available on the parallel nIRQ8 pin.
- RTC power source is switched internally between the VCC1 and VCC0 pins according to VCC1_PWRGD (See **FIGURE 4 - VCC2 POWER-UP TIMING** and **FIGURE 5 - VCC1_PWRGD TIMING**).
- Lockable CMOS Ram Address Ranges (See Table 322 - RTC, Logical DEVICE 6 [LOGICAL DEVICE NUMBER = 0X06] in Section **31.10 SMSC Defined Logical Device Configuration Registers**)

27.2 CONFIGURATION REGISTERS

The RTC configuration registers, in Logical Device Number 6, provide activation control and the base address for the run-time registers (See **Table 300**)

The activate bit register 0x30, Bit D0 enables RTC/CMOS Bank0.

The activate bit register 0x30, Bit D1 enables RTC/CMOS Bank1.

Table 300 - RTC Configuration Registers

INDEX	TYPE	HARD RESET	SOFT RESET	VCC2 POR	VCC1& VCC0 POR	DESCRIPTION							
						D7	D6	D5	D4	D3	D2	D1	D0
0x30	R/W	0x00	0x00	0x00	-	Activate							
						RESERVED					Activate CMOS Bank1	Activate RTC/CMOS Bank0	
0x60	R/W	0x00	0x00	0x00	-	RTC/CMOS Bank0 Primary Base Address High Byte							
						"0"	"0"	"0"	"0"	A11	A10	A9	A8
0x61	R/W	0x70	0x70	0x70	-	RTC/CMOS Bank0 Primary Base Address Low Byte							
						A7	A6	A5	A4	A3	A2	A1	"0"
0x62	R/W	0x00	0x00	0x00	-	CMOS Bank1 Primary Base Address High Byte							
						"0"	"0"	"0"	"0"	A11	A10	A9	A8
0x63	R/W	0x74	0x74	0x74	-	CMOS Bank1 Primary Base Address Low Byte							
						A7	A6	A5	A4	A3	A2	A1	"0"
0xF1	R	-	-	-	-	Shadow RTC/CMOS Bank 0 Index register							

27.3 ISA HOST I/O INTERFACE

Each bank has a CMOS Address Register and a CMOS Data Register. Each bank's CMOS Address Register is located at the corresponding base address setup by the Configuration Registers in **Table 300**. Each bank's CMOS Data Register is located at an offset of the corresponding base (see **TABLE 301**.) Bit D7 of both CMOS Address Registers is not used for the CMOS RAM address decoding. All four CMOS Run Time registers are fully read/write.

Table 301 - CMOS Run Time Registers

HOST ADDRESS*	BANK	FUNCTION
Bank0 * (R/W)	RTC/CMOS Bank0	CMOS Address Register
Bank0 * + 1(R/W)	RTC/CMOS Bank0	CMOS Data Register
Bank1 * (R/W)	CMOS Bank1	CMOS Address Register
Bank1 * + 2(R/W)	CMOS Bank1	CMOS Data Register

27.4 INTERNAL REGISTERS

Table 302 shows the address map of the RTC and CMOS RAM, eleven registers of time, calendar, century, and alarm data, four control and status registers, 239 bytes of CMOS registers and one :Shared RTC Control register. Each bank's last addressable location accesses the same register: Shared RTC Control.

Table 302 – RTC and CMOS RAM Address Map

BANK	BASE OFFEST	REGISTER TYPE	REGISTER FUNCTION
Bank0	0	R/W	Register 0: Seconds
Bank0	1	R/W	Register 1: Seconds Alarm
Bank0	2	R/W	Register 2: Minutes
Bank0	3	R/W	Register 3: Minutes Alarm
Bank0	4	R/W	Register 4: Hours
Bank0	5	R/W	Register 5: Hours Alarm
Bank0	6	R/W	Register 6: Day of Week
Bank0	7	R/W	Register 7: Day of Month
Bank0	8	R/W	Register 8: Month
Bank0	9	R/W	Register 9: Year
Bank0	A	R/W	Register A:
Bank0	B	R/W	Register B: (Bit 0 is Read Only)
Bank0	C	R	Register C:
Bank0	D	R/W	Register D: Day of Month Alarm
Bank0	32	R/W	Century Byte
Bank0	E-31, 33-7F	R/W	General purpose
Bank0	7F	R/W	: Shared RTC Control
Bank1	0-7E	R/W	Bank 1: General purpose
Bank1	7F	R/W	: Shared RTC Control

All 256 bytes are directly writable and readable by the host with the following exceptions:

- Registers C is read only
- Bit 7 of Register D is read only which can only be set by a read of Register D.
- Bit 6 of Register D is read only .
- Bit 7 of Register A is read only
- Bits 0 of Register B is read only
- Bits 7-1 of the Shared RTC Control register are read only

27.5 TIME CALENDAR AND ALARM

The processor program obtains time and calendar information by reading the appropriate locations. The program may initialize the time, calendar and alarm by writing to these locations. The contents of the twelve time, calendar and alarm registers can be in binary or BCD as shown in **Table 303 - RTC Register Valid Range**.

Before initializing the internal registers, the SET bit in Register B should be set to a "1" to prevent time/calendar updates from occurring. The program initializes the twelve locations in the binary or BCD format as defined by the DM bit in Register B. The SET bit may then be cleared to allow updates.

The 12/24 bit in Register B establishes whether the hour locations represent 1 to 12 or 0 to 23. The 12/24 bit cannot be changed without reinitializing the hour locations. When the 12 hour format is selected, the high order bit of the hours byte represents PM when it is a "1".

Once per second, the twelve time, calendar and alarm registers are updated, Incrementing by one second and checking for an alarm condition. During the update cycle all the registers in **Table 303**, except Register D, are not accessible by the processor program. The update cycle time is shown in Table 301. The update logic contains circuitry for automatic end-of-month recognition as well as automatic leap year compensation.

The three alarm registers may be used in two ways. First, when the program inserts an alarm time in the appropriate hours, minutes and seconds alarm locations, the alarm interrupt is initiated at the specified time each day if the alarm enable bit is high. The second usage is to insert a "don't care" state in one or more of three alarms registers. The "don't care" code is any hexadecimal byte from C0 to FF inclusive. That is the two most significant bits of each byte, when set to "1" create a "don't care" situation. An alarm interrupt each hour is created with a "don't care" code in the hours alarm location. Similarly, an alarm is generated every minute with "don't care" codes in the hours and minutes alarm bytes. The "don't care" codes in all three alarm bytes create an interrupt every second.

Table 303 - RTC Register Valid Range

ADD	REGISTER FUNCTION	BCD RANGE	BINARY RANGE
0	Register 0: Seconds	00-59	00-3B
1	Register 1: Seconds Alarm	00-59	00-3B
2	Register 2: Minutes	00-59	00-3B
3	Register 3: Minutes Alarm	00-59	00-3B
4	Register 4: Hours	01-12 am	01-0C
	(12 hour mode)	81-92 pm	81-8C
	(24 hour mode)	00-23	00-17
5	Register 5: Hours Alarm	01-12 am	01-0C
	(12 hour mode)	81-92 pm	81-8C
	(24 hour mode)	00-23	00-17
6	Register 6: Day of Week	01-07	01-07
7	Register 7: Day of Month	01-31	01-1F
8	Register 8: Month	01-12	01-0C
9	Register 9: Year	00-99	00-63
D	Day of Month Alarm	01-31	01-1F
32	Century Byte	00-99	00-63

27.6 UPDATE CYCLE

An update cycle is executed once per second if the SET bit in Register B is clear and the DV0-DV2 divider is not clear. The SET bit in the "1" state permits the program to initialize the time and calendar registers by stopping an existing update and preventing a new one from occurring.

The primary function of the update cycle is to increment the seconds register, check for overflow, increment the minutes register when appropriate and so forth through to the year of the century byte. The update cycle also compares each alarm register with the corresponding time register and issues an alarm if a match or if a "don't care" code is present.

The length of an update cycle is shown in Table 301. During the update cycle the time, calendar and alarm registers are not accessible by the processor program. If the processor reads these locations before the update cycle is complete the output will be undefined. The UIP (update in progress) status bit is set during the interval. When the UIP bit goes high, the update cycle will begin 244 μ s later. Therefore, if a low is read on the UIP bit the user has at least 244 μ s before time/calendar data will be changed.

Table 304 - RTC Update Cycle Timing

INPUT CLOCK FREQUENCY	UIP BIT	UPDATE CYCLE TIME	MINIMUM TIME BEFORE START OF UPDATE CYCLE
32.768 kHz	1	1948 μ s	-
32.768 KHZ	0	-	244 μ s

27.7 CONTROL AND STATUS REGISTERS

The RTC has four registers, which are accessible to the processor program at all times, even during the update cycle.

27.7.1 REGISTER A

B7	B6	B5	B4	B3	B2	B1	B0
UIP	DV2	DV1	DV0	RS3	RS2	RS1	RS0

UIP

The update in progress bit is a status flag that may be monitored by the program. When UIP is a "1" the update cycle is in progress or will soon begin. When UIP is a "0" the update cycle is not in progress and will not be for at least 244 μ s. The time, calendar, and alarm information is fully available to the program when the UIP bit is "0". The UIP bit is a read only bit and is not affected by VCC1 POR. Writing the SET bit in Register B to a "1" inhibits any update cycle and then clears the UIP status bit.

DV2-0

Three bits are used to permit the program to select various conditions of the 22 stage divider chain.

TABLE 305 shows the allowable combinations. The divider selection bits are also used to reset the divider chain. When the time/calendar is first initialized, the program may start the divider chain at the precise time stored in the registers. When the divider reset is removed the first update begins one-half second later. These three read/write bits are not affected by VCC1 POR.

Table 305 - RTC Divider Selection Bits

	OSCILLATOR FREQUENCY	REGISTER A BITS			MODE
		DV2	DV1	DV0	
1.	32.768 kHz	0	0	0	Normal Operation
2.		0	0	1	Reset Divider
3.		0	1	0	Normal Operation
4.		0	1	1	Oscillator Disabled
5.		1	0	X	Test
6.		1	1	X	Reset Divider

RS3-0

The four rate selection bits select one of 15 taps on the divider chain or disable the divider output. The selected tap determines rate or frequency of the periodic interrupt. The program may enable or disable the interrupt with the PIE bit in Register B. **Table 306** lists the periodic interrupt rates and equivalent output frequencies that may be chosen with the RS0-RS3 bits. These four bits are read/write bits which are not affected by VCC1 POR.

Table 306 – RTC Periodic Interrupt Rates

RATE SELECT				32.768 kHz TIME BASE	
RS3	RS2	RS1	RS0	PERIOD RATE OF INTERRUPT	FREQUENCY OF INTERRUPT
0	0	0	0	0.0	
0	0	0	1	3.90625 ms	256 Hz
0	0	1	0	7.8125 ms	128 Hz
0	0	1	1	122.070 μ s	8.192 Hz
0	1	0	0	244.141 μ s	4.096 kHz
0	1	0	1	488.281 μ s	2.048 kHz

RATE SELECT				32.768 kHz TIME BASE	
RS3	RS2	RS1	RS0	PERIOD RATE OF INTERRUPT	FREQUENCY OF INTERRUPT
0	1	1	0	976.562 μ s	1.024 kHz
0	1	1	1	1.953125 ms	512 Hz
1	0	0	0	3.90625 ms	256 Hz
1	0	0	1	7.8125 ms	128 Hz
1	0	1	0	15.625 ms	64 Hz
1	0	1	1	31.25 ms	32 Hz
1	1	0	0	62.5 ms	16 Hz
1	1	0	1	125 ms	8 Hz
1	1	1	0	250 ms	4 Hz
1	1	1	1	500 ms	2 Hz

27.7.2 REGISTER B

B7	B6	B5	B4	B3	B2	B1	B0
SET	PIE	AIE	UIE	RES	DM	24/12	DSE

SET

When the SET bit is a "0", the update functions normally by advancing the counts once-per-second. When the SET bit is a "1", an update cycle in progress is aborted and the program may initialize the time and calendar bytes without an update occurring in the middle of initialization. SET is a read/write bit, which is not modified by VCC1 POR or any internal functions.

PIE

The periodic interrupt enable bit is a read/write bit which allows the periodic-interrupt flag (PF) bit in Register C to cause the IRQB port to be driven low. The program writes a "1" to the PIE bit in order to receive periodic interrupts at the rate specified by the RS3 - RS0 bits in Register A. A "0" in PIE blocks IRQB from being initiated by a periodic interrupt, but the periodic flag (PF) is still set at the periodic rate. PIE is not modified by any internal function, but is cleared to "0" by a VCC1 POR.

AIE

The alarm interrupt enable bit is a read/write bit, which when set to a "1" permits the alarm flag (AF) bit in Register C to assert IRQB. An alarm interrupt occurs for each second that the three time bytes equal the three alarm bytes (including a "don't care" alarm code of binary 11XXXXXX). When the AIE bit is a "0", the AF bit does not initiate an IRQB signal. The VCC1 POR port clears AIE to "0". The AIE bit is not affected by any internal functions.

UIE

The update-ended interrupt enable bit is a read/write bit which enables the update-end flag (UF) bit in Register C to assert IRQB. The VCC1 POR port or the SET bit going high clears the UIE bit.

RES

Reserved - read as zero

DM

The data mode bit indicates whether time and calendar updates are to use binary or BCD

Formats: The DM bit is written by the processor program and may be read by the program, but is not modified by any internal functions or by VCC1 POR. A "1" in DM signifies binary data, while a "0" in DM specifies BCD data.

24/12

The 24/12 control bit establishes the format of the hours byte as either the 24 hour mode if set to a "1", or the 12 hour mode if cleared to a "0". This is a read/write bit that is not affected by VCC1 POR or any internal function.

DSE

The daylight savings enable bit is read only and is always set to a "0" to indicate that the daylight savings time option is not available.

27.7.3 REGISTER C

REGISTER C IS A READ ONLY REGISTER

B7	B6	B5	B4	B3	B2	B1	B0
IRQF	PF	AF	UF	0	0	0	0

IRQF

The interrupt request flag is set to a "1" when one or more of the following are true:

- PF = PIE = 1
- AF = AIE = 1
- UF = UIE = 1

Any time the IRQF bit is a "1", the IRQB signal is driven low. All flag bits are cleared after Register C is read or by the VCC1 POR port.

PF

The periodic interrupt flag is a read only bit which is set to a "1" when a particular edge is detected on the selected tap of the divider chain. The RS3 -RS0 bits establish the periodic rate. PF is set to a "1" independent of the state of the PIE bit. PF being a "1" sets the IRQF bit and initiates an IRQB signal when PIE is also a "1". The PF bit is cleared by VCC1 POR or by a read of Register C .

AF

The alarm interrupt flag when set to a "1" indicates that the current time has matched the alarm time. A "1" in AF causes a "1" to appear in IRQF and the IRQB port to go low when the AIE bit is also a "1". A VCC1 POR or a read of Register C clears the AF bit.

UF

The update-ended interrupt flag bit is set after each update cycle. When the UIE bit is also a "1", the "1" in UF causes the IRQF bit to be set and asserts IRQB. A VCC1 POR or a read of Register C causes UF to be cleared.

b3-0

The unused bits of Register C are read as "0" and cannot be written.

27.7.4 REGISTER D

MSB				LSB			
b7	b6	b5	b4	b3	b2	b1	B0
VRT	0	Day of month					

VRT

The Valid RAM and Time (VRT) bit is cleared by the RTC to indicate that both the main power (VCC1) and the battery power (VCC0) are both low at the same time. This is the only case where the contents of the RAM, as well as, the time and calendar registers are not valid. The VRT bit can only be set by a read of Register D. The 8051 can set the VRT bit reading Register D after both of the following conditions are met: VCC1_PWRGD =1 and the 8051 completes initialization. The Host can set the VRT bit reading Register D after PWRGD =1 See Section 27.11 Power Management.

b6

Read as zero and cannot be written.

b5:b0

Day of month Alarm; these bits store the day of month alarm value. If set to 000000b, then a don't care state is assumed. The host must configure the Day of month alarm for these bits to do anything, yet they can be written at any time. If the Day of month alarm is not enabled, these bits will return zeros. These bits are not affected by RESET_DRV, VCC1_POR or VCC2_POR. The BCD Range for the Day of month of month alarm is 1-31 and the Binary Range is 01-1F.

27.7.5 CENTURY BYTE

The century byte is located at RTC/Bank0 register 0x32. The century byte is incremented by one when the year byte changes from 99 or 0x63 to 0. The BCD Range for the century byte is 00-99 and the Binary Range is 00-63.

27.7.6 GENERAL PURPOSE

Registers 0xEh-0x7EH, except 0x32 (The Century Byte) in Bank0 and 0x0-0x7E in Bank1 are general purpose "CMOS" registers. These registers can be used by the host or 8051 and are fully available during the time update cycle. The contents of these registers are preserved by VCC0 power. Registers Eh-7Eh are in bank0 and registers 80h-FEh are in bank1.

27.7.7 SHARED RTC CONTROL

Each bank's last addressable location (0x7F) accesses the Shared RTC Control. The Shared RTC Control Register implements an interface that allows the 8051 to read/write the RTC and CMOS registers by use of the smart host protocol. Refer to 8051 RTC CMOS access, Section 27.9 for the definition of this register.

27.8 INTERRUPTS

The RTC includes three separate fully automatic sources of interrupts to the processor. The alarm interrupt may be programmed to occur at rates from one-per-second to one-a-day. The periodic interrupt may be selected for rates from half-a-second to 122.070 μ s. The update ended interrupt may be used to indicate to the program that an update cycle is completed. Each of these independent interrupts are described in greater detail in other sections.

The processor program selects which interrupts, if any, it wishes to receive by writing a "1" to the appropriate enable bits in Register B. A "0" in an enable bit prohibits the IRQB port from being asserted due to that interrupt cause. When an interrupt event occurs a flag bit is set to a "1" in Register C, which are set independent of the state of the corresponding enable bits in Register B. Each of the three interrupt sources have separate flag bits in Register C. The flag bits may be used with or without enabling the corresponding enable bits. The flag bits in Register C are cleared (record of the interrupt event is erased) when Register C is read. Double latching is included in Register C to ensure the bits that are set are stable throughout the read cycle. All bits which are high when read by the program are cleared, and new interrupts are held until after the read cycle. If an interrupt flag is already set when the interrupt becomes enabled, the IRQB port is immediately activated, though the interrupt initiating the event may have occurred much earlier.

When an interrupt flag bit is set and the corresponding interrupt-enable bit is also set, the IRQB port is driven low. IRQB is asserted as long as at least one of the three interrupt sources has its flag and enable bits both set. The IRQF bit in Register C is a "1" whenever the IRQB port is being driven low.

27.8.1 FREQUENCY DIVIDER

The RTC has 22 binary divider stages following the clock input. The output of the divider is a one Hertz signal to the update-cycle logic. The divider is controlled by the three divider bits (DV3-DV0) in Register A. As shown in Table 305 the divider control bits can select the operating mode, or be used to hold the divider chain reset that allows precision setting of the time. When the divider chain is changed from reset to the operating mode, the first update cycle is one-half second later.

Periodic Interrupt Selection

The periodic interrupt allows the IRQB port to be triggered from once every 500 ms to once every 122.07 μ s. As Table 306 shows, the periodic interrupt is selected with the RS0-RS3 bits in Register A. The periodic interrupt is enabled with the PIE bit in Register B.

27.9 8051 RTC CMOS ACCESS

The LPC47N252FR implements an interface that allows the 8051 to read/write the RTC and CMOS registers under the following conditions: When nRESET_OUT is active, or when VCC2 is off, or by use of the smart host protocol.

RTCCNTRL (RTC Control) Register

HOST	N/A
8051	0x7FF5
POWER	VCC1
DEFAULT	0x80

The RTC Control register is mirrored in CMOS register 0x7Fh in both bank0 and bank1.

D7	D6	D5	D4	D3	D2	D1	D0
nSH	0	0	0	KREQH	HREQH	KREQL	HREQL

nSH

nSmart Host - This bit is controlled by the 8051. When set to a "1", the host is not a smart host and does not recognize the sharing protocol. When set to a "0", the host is smart and can recognize the sharing protocol. When set to "1", this bit will clear HREQH and HREQL. Clearing this bit to "0" will allow the 8051 to regain access to the CMOS RAM.

KREQL

Keyboard Request Low - The 8051 can set this bit when HREQL IS '0'. If the request is not granted, this bit is read back as a zero and the request must be tried again. Note: After regaining control of the CMOS, the 8051 must re-write the RTC Low Address Register before accessing the RTC Data Register. This bit selects access to the CMOS RAM Addresses 0-7F.

HREQL

Host Request Low - This bit can be set by the host when KREQL is "0". If the request is not granted, this bit is read back as a "0" and the request must be tried again.

KREQH

Keyboard Request High - This bit can be set by the 8051 when HREQH is "0". If the request is not granted, this bit is read back as a "0" and the request must be tried again. Note: After regaining control of the CMOS, the 8051 must re-write the RTC High Address Register before accessing the RTC Data Register. This bit selects access to the CMOS RAM Addresses 80-FF.

HREQH

Host Request High - This bit can be set by the host when KREQH is "0". If the request is not granted, this bit is read back as a "0" and the request must be tried again.

nSH	KREQX	HREQX	BUS ACCESS
1	X	X	Host
0	0	0	None
0	1	0	8051
0	0	1	Host

RTC Address Register (High and Low)

HOST	N/A
8051	0x7FF8 & 0x7FF6
POWER	VCC1
DEFAULT	0x00 & 0x00

When KREQ=1 in the RTC Control register, the Low Address Register and the High Address Register are used to access the 256 CMOS RAM registers. The Low Address Register is used to provide the address to access the 128 CMOS RAM registers in bank0 and the High Address Register is used to provide the address to access the 128 CMOS RAM registers in bank1. Bit D7 of the Low Address Register and the High Address Register are not used for the address decode and are don't care bits.

RTC Data Register (High and Low)

HOST	N/A
8051	0x7FF9 & 0x7FF7
POWER	VCC1
DEFAULT	0x00 & 0x00

The low register is used to access the first bank of 128 bytes, in CMOS RAM the high register is used to access the second bank of 128 registers. This register is used to read or write the selected CMOS register when KREQ=1.

27.10 32KHZ CLOCK INPUT

The LPC47N252 uses the XOSEL pin to select either a 32.768kHz input clock or a 32.768kHz crystal to drive the Real Time Clock Interface (**Table 2 - Pin Function DESCRIPTION**).

When XOSEL = '0', the RTC uses a 32.768kHz crystal connected between the XTAL1 and XTAL2 pins. When XOSEL = '1', the RTC is driven by a 32.768kHz single-ended clock source connected to the XTAL2 pin.

Note: $I_{CC0} \geq 10\mu\text{A}$ for time-keeping operations under V_{CC0} using a single-ended clock source. $I_{CC1} = 30\mu\text{A}$ under V_{CC1} using a single-ended clock source.

27.11 POWER MANAGEMENT

The RTC and CMOS RAM utilize VCC0 power plane (see Power Con section 3.2). See FIGURE 4 - VCC2 POWER-UP TIMING and FIGURE 5 - VCC1_PWRGD TIMING

The VCC1 POR does not affect the clock, calendar, or RAM functions. When VCC1 POR is active the following occurs:

- Periodic Interrupt Enable (PIE) is cleared to "0".
- Alarm Interrupt Enable (AIE) bit is cleared to "0".
- Update Ended Interrupt Enable (UIE) bit is cleared to "0".
- Update Ended Interrupt Flag (UF) bit is cleared to "0".
- Interrupt Request status Flag (IRQF) bit is cleared to "0".
- Periodic Interrupt Flag (PIF) is cleared to "0".
- The RTC and CMOS registers are not accessible.
- Alarm Interrupt Flag (AF) is cleared to "0".
- nIRQ pin is in high impedance state.

If both the main power (VCC1) and the battery power (VCC0) are both low at the same time and then re-applied (ie. a new battery is installed) the following occurs:

- Initialize all registers 00-0D to a "00" when VCC1 is applied.
- The oscillator is disabled immediately.
- The VRT bit is cleared to "0".

Note 66: When the RTC battery (coin cell) is replaced, the oscillator requires 5 seconds to stabilize after VCC1. See **Note 53** on page 179.

When PWRGD = 0, all host inputs are locked out so that the internal registers cannot be modified by the host system. The Host lockout condition continues for 500usec (min) to 1msec (max) after PWRGD =1. The Host lockout condition does not occur when either of the following occur:

- RTC Divider Selection mode is not in normal mode in Table 305.
- The VRT bit in Register D is a "0".

28 PCI CLOCK RUN SUPPORT

28.1 OVERVIEW

The LPC47N252 supports the PCI nCLKRUN signal. nCLKRUN is used to indicate the PCI clock status as well as to request that a stopped clock be started. See FIGURE 68, an example of a typical system implementation using nCLKRUN.

nCLKRUN support is required because the LPC47N252 interrupt interface relies entirely on Serial IRQs and PCI clock is required to drive the SER_IRQ signal (see section 29.1 SERIRQ MODE BIT FUNCTION, on page 286).

The nCLKRUN signal in the LPC47N252 also supports the LPC nLDRQ DMA protocol since PCI clock is required to drive the nLDRQ signal active (see section 4.1.7, DMA Request, on page 28). If an interrupt or DMA occurs while the PCI clock is stopped, nCLKRUN must be asserted before the interrupt or DMA can be serviced.

The LPC47N252 SerIRQ Mode control is in bit D2 of the Device Mode register CR25 (see 31.4, Chip Level (Global) Control/Configuration Registers[0x00-0x2F] on page 294.) When the SerIRQ Mode bit is '0', Serial IRQs are disabled, the nCLKRUN pin is disabled and the affects of DMA requests on nCLKRUN are ignored. When the SerIRQ Mode bit is '1', Serial IRQs are enabled, the nCLKRUN pin is enabled and the nCLKRUN support related to nLDRQ as described in the section below is enabled.

28.2 USING NCLKRUN

The nCLKRUN pin is an open drain output and input. Refer to the *PCI Mobile Design Guide Rev 1.0* for a description of the nCLKRUN function. If nCLKRUN is sampled "high", the PCI clock is stopped or stopping. If nCLKRUN is sampled "low", the PCI clock is starting or started (running). nCLKRUN in the LPC47N252 supports both Serial IRQ and LPC DMA cycles.

28.2.1 NCLKRUN SUPPORT FOR SERIAL IRQ CYCLE

If a device in the LPC47N252 asserts or de-asserts an interrupt and nCLKRUN is sampled "high", the LPC47N252 can request the restoration of the clock by asserting the nCLKRUN signal asynchronously (Table 307). The LPC47N252 holds nCLKRUN low until it detects two rising edges of the clock. After the second clock edge, the LPC47N252 must disable the open drain driver (FIGURE 69).

The LPC47N252 must not assert nCLKRUN if it is already driven low by the central resource; i.e., the PCI CLOCK GENERATOR in FIGURE 68. The LPC47N252 will not assert nCLKRUN under any conditions if the Serial IRQs are disabled.

The LPC47N252 must not assert nCLKRUN unless the line has been deasserted for two successive clocks; i.e., before the clock was stopped (FIGURE 69).

28.2.2 NCLKRUN SUPPORT FOR LPC DMA CYCLE

If a device in the LPC47N252 requests DMA service while the PCI clock is stopped, nCLKRUN must be asserted to restart the PCI clock so that the nLDRQ signal may be asserted (see Table 307). The LPC47N252 will not assert nCLKRUN under any conditions if the SerIRQ_Mode bit is inactive ("0").

If a device in the LPC47N252 asserts a DMA request and nCLKRUN is sampled "high", the LPC47N252 holds nCLKRUN low until it detects two rising edges of the PCI clock. After the second clock edge, the LPC47N252 must disable the nCLKRUN open-drain driver (see FIGURE 69).

The LPC47N252 must not assert nCLKRUN if it is already driven low by the central resource; i.e., the PCI CLOCK GENERATOR. The LPC47N252 must also not assert nCLKRUN unless the signal has been deasserted for two successive clocks; i.e., before the clock was stopped.

Table 307 – LPC47N252 nCLKRUN Function

SIRQ_MODE (Bit 2 of CR25)	INTERNAL INTERRUPT Or DMA REQUEST	nCLKRUN	ACTION
0	X	X	None
1	NO CHANGE	X	None
	CHANGE/ASSERTION ¹	0	None
		1	Assert nCLKRUN

Note¹: “Change” means either-edge change on any or all parallel IRQs routed to the Serial IRQ block. “Assertion” means assertion of DMA request by a device in the LPC47N252. The “change” detection logic must run asynchronously to the PCI Clock and regardless of the Serial IRQ mode; i.e., “continuous” or “quiet”.

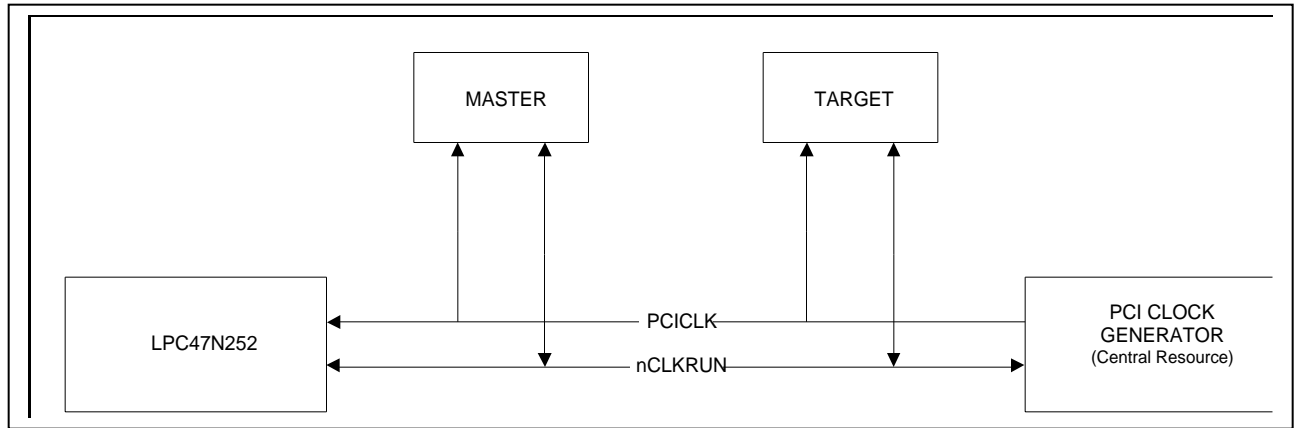


FIGURE 68 – nCLKRUN SYSTEM IMPLEMENTATION EXAMPLE

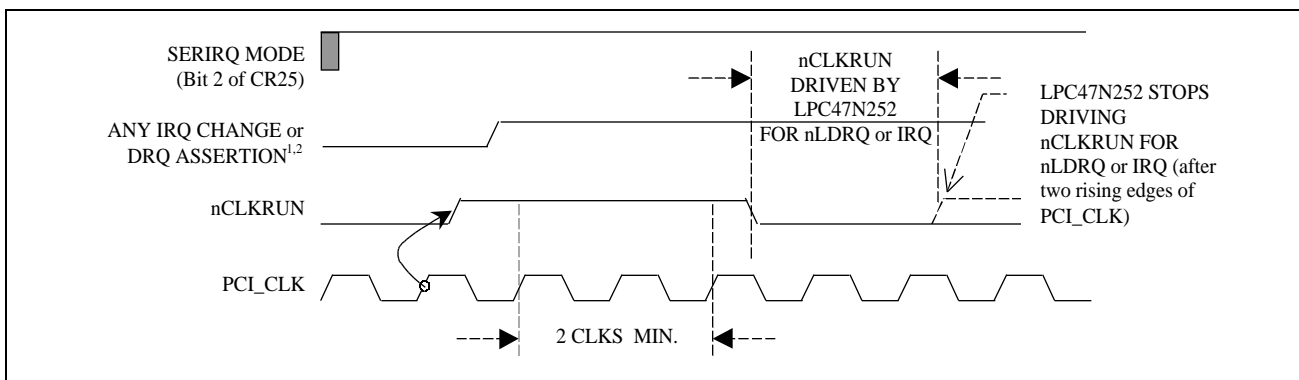


FIGURE 69 – CLOCK START ILLUSTRATION

Note¹: The signal “ANY IRQ CHANGE or DRQ ASSERTION” is the same as “CHANGE/ASSERTION” in Table 307.

Note²: The LPC47N252 must continually monitor the state of nCLKRUN to maintain the PCI Clock until an active “any IRQ change” condition has been transferred to the host in a Serial IRQ cycle or “any DRQ assertion” condition has been transferred to the host in a DMA cycle. For example, if “any IRQ change or DRQ assertion” is asserted before nCLKRUN is de-asserted (not shown in FIGURE 69), the LPC47N252 must assert nCLKRUN as needed until the Serial IRQ cycle or DMA cycle has completed.

29 SERIAL INTERRUPTS

MSIO will support the serial interrupt scheme, which is adopted by several companies, to transmit interrupt information to the system. The serial interrupt scheme adheres to the Serial IRQ Specification for PCI Systems Version 6.0.

Timing Diagrams For IRQSER Cycle

PCICLK = 33 MHz_IN pin
IRQSER = SIRQ pin

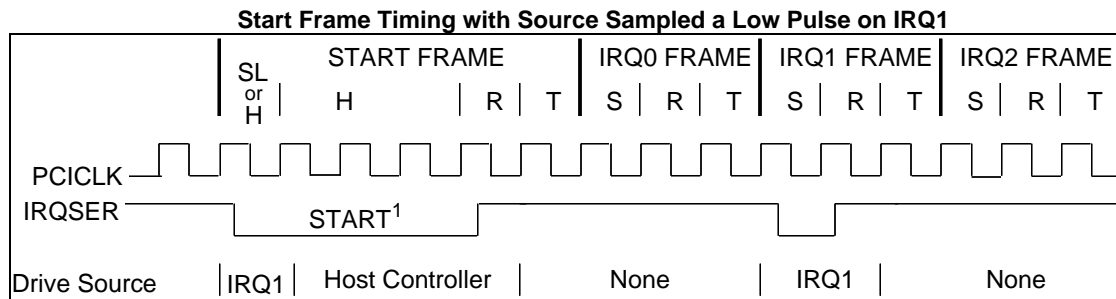


FIGURE 70 - SERIAL INTERRUPTS WAVEFORM "START FRAME"

H=Host Control SL=Slave Control R=Recovery T=Turn-around S=Sample

- Start Frame pulse can be 4-8 clocks wide.

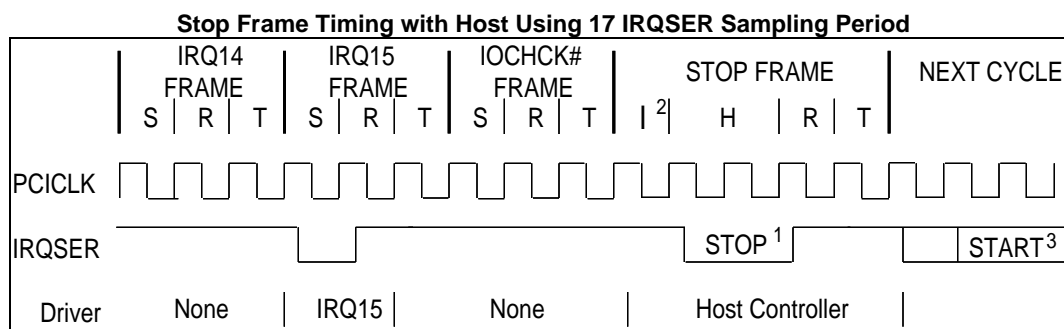


FIGURE 71 - SERIAL INTERRUPT WAVEFORM "STOP FRAME"

H=Host Control R=Recovery T=Turn-around S=Sample I= Idle

- Stop pulse is two clocks wide for Quiet mode, three clocks wide for Continuous mode.
- There may be none, one or more Idle states during the Stop Frame.
- The next IRQSER cycle's Start Frame pulse may or may not start immediately after the turn-around clock of the Stop Frame.

29.1 SERIRQ MODE BIT FUNCTION

Table 308 – SERIRQ_EN Configuration Control

CR25 BIT[2]	NAME	DESCRIPTION
0	SERIRQ_EN	Serial IRQ Disabled
1		Serial IRQ Enabled (Default)

IRQSER Cycle Control

There are two modes of operation for the IRQSER Start Frame:

1) Quiet (Active) Mode

Any device may initiate a Start Frame by driving the IRQSER low for one clock, while the IRQSER is Idle. After driving low for one clock the IRQSER must immediately be tri-stated without at any time driving high. A Start Frame may not be initiated while the IRQSER is active. The IRQSER is Idle between Stop and Start Frames. The IRQSER is active between Start and Stop Frames. This mode of operation allows the IRQSER to be Idle when there are no IRQ/Data transitions which should be most of the time.

Once a Start Frame has been initiated the host controller will take over driving the IRQSER low in the next clock and will continue driving the IRQSER low for a programmable period of three to seven clocks. This makes a total low pulse width of four to eight clocks. Finally, the host controller will drive the IRQSER back high for one clock then tri-state.

Any IRQSER Device (i.e., The LPC47N252) which detects any transition on an IRQ/Data line for which it is responsible must initiate a Start Frame in order to update the host controller unless the IRQSER is already in an IRQSER Cycle and the IRQ/Data transition can be delivered in that IRQSER Cycle.

Continuous (Idle) Mode

Only the Host controller can initiate a Start Frame to update IRQ/Data line information. All other IRQSER agents become passive and may not initiate a Start Frame. IRQSER will be driven low for four to eight clocks by host controller. This mode has two functions. It can be used to stop or idle the IRQSER or the host controller can operate IRQSER in a continuous mode by initiating a Start Frame at the end of every Stop Frame.

An IRQSER mode transition can only occur during the Stop Frame. Upon reset, IRQSER bus is defaulted to continuous mode, therefore only the host controller can initiate the first Start Frame. Slaves must continuously sample the Stop Frames pulse width to determine the next IRQSER Cycle's mode.

IRQSER Data Frame

Once a Start Frame has been initiated, the LPC47N252 will watch for the rising edge of the Start Pulse and start counting IRQ/Data Frames from there. Each IRQ/Data Frame is three clocks: Sample phase, Recovery phase, and Turn-around phase. During the sample phase, the LPC47N252 must drive the IRQSER (SIRQ pin) low, if and only if, its last detected IRQ/Data value was low. If its detected IRQ/Data value is high, IRQSER must be left tri-stated. During the recovery phase the LPC47N252 must drive the SERIRQ high, if and only if, it had driven the IRQSER low during the previous sample phase. During the turn-around phase the LPC47N252 must tri-state the SERIRQ. The LPC47N252 drives the IRQSER line low at the appropriate sample point if its associated IRQ/Data line is low, regardless of which device initiated the start frame.

The Sample phase for each IRQ/Data follows the low to high transition of the Start Frame pulse by a number of clocks equal to the IRQ/Data Frame times three, minus one

e.g. The IRQ5 Sample clock is the sixth IRQ/Data Frame, then the sample phase is $\{(6 \times 3) - 1 = 17\}$ the seventeenth clock after the rising edge of the Start Pulse.

Table 309 - IRQSER Sampling Periods

IRQSER PERIOD	SIGNAL SAMPLED	# OF CLOCKS PAST START
1	Not Used	2
2	IRQ1	5
3	nSMI/IRQ2	8
4	IRQ3	11
5	IRQ4	14
6	IRQ5	17
7	IRQ6	20
8	IRQ7	23
9	IRQ8	26
10	IRQ9	29
11	IRQ10	32
12	IRQ11	35
13	IRQ12	38
14	IRQ13	41
15	IRQ14	44
16	IRQ15	47

The SIRQ data frame will now support IRQ2 from a logical device; previously IRQSER Period 3 was reserved for use by the System Management Interrupt (nSMI). When using Period 3 for IRQ2 the user should mask off the LPC47N252's SMI via the ESMI Mask Register. Likewise, when using Period 3 for nSMI, the user should not configure any logical devices as using IRQ2.

IRQSER Period 14 is used to transfer IRQ13. Logical devices 0 (FDC), 3 (Par Port), 4 (Ser Port 1), 5 (Ser Port 2), 6 (RTC), and 7 (KBD) will have IRQ13 as a choice for their primary interrupt.

Stop Cycle Control

Once all IRQ/Data Frames have completed the host controller will terminate IRQSER activity by initiating a Stop Frame. Only the host controller can initiate the Stop Frame. A Stop Frame is indicated when the IRQSER is low for two or three clocks. If the Stop Frame's low time is two clocks then the next IRQSER cycle's sampled mode is the Quiet mode; and any IRQSER device may initiate a Start Frame in the second clock or more after the rising edge of the Stop Frame's pulse. If the Stop Frame's low time is three clocks, then the next IRQSER cycle's sampled mode is the continuous mode, and only the host controller may initiate a Start Frame in the second clock or more after the rising edge of the Stop Frame's pulse.

Latency

Latency for IRQ/Data updates over the IRQSER bus in bridge-less systems with the minimum IRQ/Data Frames of seventeen will range up to 96 clocks (3.84 μ S with a 25 MHz PCI Bus or 2.88 μ S with a 33 MHz PCI Bus). If one or more PCI to PCI Bridge is added to a system, the latency for IRQ/Data updates from the secondary or tertiary buses will be a few clocks longer for synchronous buses, and approximately double for asynchronous buses.

EOI/ISR Read Latency

Any serialized IRQ scheme has a potential implementation issue related to IRQ latency. IRQ latency could cause an EOI or ISR Read to precede an IRQ transition that it should have followed. This could cause a system fault. The host interrupt controller is responsible for ensuring that these latency issues are mitigated. The recommended solution is to delay EOIs and ISR Reads to the interrupt controller by the same amount as the IRQSER Cycle latency in order to ensure that these events do not occur out of order.

AC/DC Specification Issue

All IRQSER agents must drive/sample IRQSER synchronously related to the rising edge of the PCI bus clock. IRQSER (SIRQ) pin uses the electrical specification of the PCI bus. Electrical parameters will follow the PCI specification section 4, sustained tri-state.

Reset and Initialization

The IRQSER bus uses nPCIRST as its reset signal (nPCIRST is equivalent to using nRESET_OUT) and follows the PCI bus reset mechanism. The IRQSER pin is tri-stated by all agents while nPCIRST is active. With reset, IRQSER slaves and bridges are put into the (continuous) Idle mode. The host controller is responsible for starting the initial IRQSER cycle to collect system's IRQ/Data default values. The system then follows with the Continuous/Quiet mode protocol (Stop Frame pulse width) for subsequent IRQSER cycles. It is the host controller's responsibility to provide the default values to the 8259's and other system logic before the first IRQSER cycle is performed. For IRQSER system suspend, insertion, or removal application, the host controller should be programmed into Continuous (IDLE) mode first. This is to guarantee IRQSER bus is in Idle state before the system configuration changes.

30 XNOR-CHAIN TEST MODE

An XNOR-Chain test structure is in to the LPC47N252 to allow users to confirm that all pins are in contact with the motherboard during assembly and test operations (FIGURE 72).

The XNOR-Chain test structure must be activated to perform these tests. When the XNOR-Chain is activated, the LPC47N252 pin functions are disconnected from the device pins, which all become input pins except for one output pin at the end of XNOR-Chain.

The tests that are performed when the XNOR-Chain test structure is activated require the board-level test hardware to control the device pins and observe the results at the XNOR-Chain output pin.

30.1 KAHUNA BOARD LEVEL CONNECTIVITY TEST MODE

This test mode is entered by setting pins:

IN0 = IN1 = IN2 = 0 and IN3 = 1 prior to the rising edge of **TEST_PIN** then initiated and latched upon the rising edge of **TEST_PIN**.

This test mode is exited by setting pins:

IN0 = IN1 = IN2 = 0 and IN3 = 0 prior to the rising edge of **TEST_PIN** then disabled and latched upon the rising edge of **TEST_PIN**.

This test mode is also disabled/reset by a **VCC1_POR**.

When activated, this test mode forces all output and bidirectional pins to function as inputs. All pins (except power supplies, **nRESET_OUT**, **XOSEL**, **XTAL1**, **XTAL2**) are then connected to a XNOR chain which is output on **nRESET_OUT**. This will allow one single input pin, when switched, to toggle the **nRESET_OUT** output, if all other input pins are high. The pins should be toggled in order of descending pin numbers.

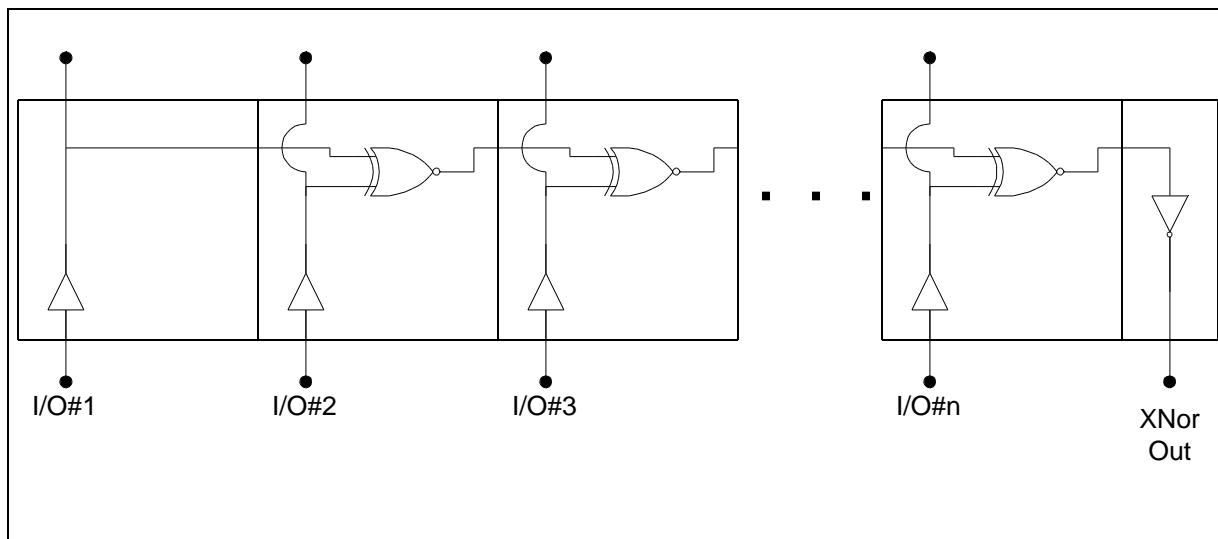


FIGURE 72 - XNOR-CHAIN TEST STRUCTURE

31 LPC47N252 CONFIGURATION

31.1 OVERVIEW

The Configuration of the LPC47N252 is very flexible and is based on the configuration architecture implemented in typical Plug-and-Play components.

The LPC47N252 is designed for motherboard designs in which the resources required by their components are known. With its flexible resource allocation architecture, the LPC47N252 allows the BIOS to assign resources at POST.

31.2 CONFIGURATION REGISTER ACCESS

Only two states are defined (Run and Configuration). In the Run State the chip will always be ready to enter the Configuration State.

The desired configuration registers are accessed in two steps:

Write the index of the Logical Device Number Configuration Register (i.e., 0x07) to the INDEX PORT and then write the number of the desired logical device to the DATA PORT.

Write the address of the desired configuration register within the logical device to the INDEX PORT and then write or read the configuration register through the DATA PORT.

Note: If accessing the Global Configuration Registers, step (a) is not required.

31.2.1 PRIMARY CONFIGURATION ADDRESS DECODER

The logical devices are configured through three Configuration Access Ports (CONFIG, INDEX and DATA). The BIOS uses these ports to initialize the logical devices at POST (Table 310).

The MODE pin is a hardware configuration pin that sets the default Configuration Access Port base address at power-up. The Configuration Ports base address can also be changed using the configuration ports base address register (see Base Address Configuration Registers).

Table 310 - LPC47N252 Configuration Access Ports

PORT NAME	MODE PIN = 0 (10K PULL-DOWN RESISTOR OR TIE TO GND)	MODE PIN = 1 (10K PULL-UP RESISTOR OR TIE TO VCC1)	TYPE
CONFIG PORT	0x02E	0x04E	Write
INDEX PORT	0x02E	0x04E	Read/Write
DATA PORT	INDEX PORT + 1		Read/Write

Note 67: This address can be changed by configuration registers 26h and 27h.

31.2.1.1 Entering the Configuration State

The INDEX and DATA ports are effective only when the chip is in the Configuration State. The device enters the Configuration State when the following Config Key is successfully written to the CONFIG PORT.

Config Key = < 0x55 >

31.2.1.2 Exiting the Configuration State

The device exits the Configuration State when the following Config Key is successfully written to the CONFIG PORT address.

Config Key = < 0xAA >

31.2.1.3 Read Accessing Configuration Port

The Configuration Port reads back a float condition when not in the Configuration State. The Configuration Port reads back 0x00, after the Configuration Key 0x55 has been written to the Configuration Port, but prior any further writes to the Configuration Port. After the Configuration Index Register has been written to at least once (in the Configuration State,) then the last value written to the Configuration Index Register (via the Configuration Port) can be read back.

31.2.2 CONFIGURATION SEQUENCE EXAMPLE

To program the configuration registers, the following sequence must be followed:

Enter Configuration Mode

Configure the Configuration Registers

Exit Configuration Mode

The following is an example of a configuration program in Intel 8086 assembly language.

```
;-----  
; ENTER CONFIGURATION MODE |  
;-----  
MOV    DX,02EH  
MOV    AX,055H  
OUT    DX,AL  
;-----  
; CONFIGURE REGISTER CRE0, |  
; LOGICAL DEVICE 8        |  
;-----  
MOV    DX,02EH  
MOV    AL,07H  
OUT    DX,AL ;Point to LD# Config Reg  
MOV    DX,02FH  
MOV    AL, 08H  
OUT    DX,AL;Point to Logical Device 8  
;  
MOV    DX,02EH  
MOV    AL,E0H  
OUT    DX,AL ; Point to CRE0  
MOV    DX,02FH  
MOV    AL,02H  
OUT    DX,AL ; Update CRE0  
;-----  
; EXIT CONFIGURATION MODE |  
;-----  
MOV    DX,02EH  
MOV    AX,0AAH  
OUT    DX,AL.
```

31.2.3 BASE ADDRESS CONFIGURATION REGISTERS

The LPC47N252 configuration ports base address is relocatable beyond the two addressing options provided by the MODE pin. The ability to relocate the configuration ports base address can prevent address conflicts. Registers CR26 and CR27 enable the relocatable configuration ports base address function. CR26 is the configuration ports base address least significant byte; CR27 is the most significant byte (Table 311). The configuration ports base address is relocatable on even-byte boundaries; i.e., A0 = "0". Valid configuration ports base address values are 0x0000 – 0x0FFE.

Prior to Vcc2 POR the configuration ports base address are undefined, At Vcc2 POR, the configuration ports base address is determined by the MODE pin.

To relocate the configuration ports base address after power-up, first write the lower address byte (LSB) of the new base address to CR26 and then write the upper address bits to CR27. **Note:** Writing CR27 changes the configuration ports base address.

Table 311 - Configuration Port Address Registers

INDEX	TYPE	HARD RESET (See Note 68)	REGISTER NAME	DESCRIPTION							
				D7	D6	D5	D4	D3	D2	D1	D0
GLOBAL CONFIGURATION REGISTERS											
0x26 ²	R/W	MODE = 0: 0x2E MODE = 1: 0x4E	Configuration Port Base Address Byte 0 (LSB)	A7	A6	A5	A4	A3	A2	A1	"0"
0x27 ³	R/W	MODE = 0: 0x00 MODE = 1: 0x00	Configuration Port Base Address Byte 1 (MSB)	"0"	"0"	"0"	"0"	A11	A10	A9	A8

Note 68: The MODE pin determines the configuration port base address following Hard Reset Configuration Register (See Section 31.2.4.1.) Soft Reset Configuration Register has no effect on CR26 and CR27

Note 69: The configuration ports base address is relocatable on even-byte boundaries; i.e., A0 = "0".

Note 70: Writing CR27 changes the configuration ports base address.

31.2.4 CONFIGURATION REGISTER RESET CONDITIONS

31.2.4.1 Hard Reset Configuration Register

HARD RESET = VCC2 POR or nRESET_OUT pin asserted.

(See section 11.8.3.5, Output Enable Register on page 134 for description 8051 control of nRESET_OUT)

31.2.4.2 Soft Reset Configuration Register

SOFT RESET = Configuration Control Register Bit0 set to a one by host.

31.3 CONFIGURATION REGISTER MAP

The LPC47N252 Configuration register map is shown below in Table 312.

Table 312 - LPC47N252 Configuration Register Map

INDEX	TYPE	HARD RESET	SOFT RESET	CONFIGURATION REGISTER NAME
0x02	W	0x00	0x00	Config Control
0x03	-	-	-	RESERVED
0x07	R/W	0x00	0x00	Logical Device Number
0x17	-	-	-	RESERVED
0x20	R	0x0E	0x0E	LPC47N252 Device ID
0x21	R	0x00	0x01	Device Rev – hard wired
0x22	R/W	0x00	n/a	Power Control

INDEX	TYPE	HARD RESET	SOFT RESET	CONFIGURATION REGISTER NAME
0x23	R/W	0x00	n/a	Power Mgmt
0x24	R/W	0x04	n/a	OSC
0x25	R/W	0x04	n/a	DeviceMode
0x26	R/W	See Note 68 above.		Configuration Port Base Address (LSB)
0x27	R/W			Configuration Port Base Address (MSB)
0x28 – 0x2F	-	0x00	0x00	RESERVED (Test Mode Registers)
LOGICAL DEVICE 0 CONFIGURATION REGISTERS (FDC)				
0x30	R/W	0x00	0x00	Activate
0x60, 0x61	R/W	0x03, 0xF0	0x03, 0xF0	Primary Base I/O Address
0x70	R/W	0x06	0x06	Primary Interrupt Select
0x74	R/W	0x02	0x02	DMA channel Select
0xF0	R/W	0x0E	n/a	FDD Mode Register
0xF1	R/W	0x00	n/a	FDD Option Register
0xF2	R/W	0xFF	n/a	FDD Type Register
0xF4	R/W	0x00	n/a	FDD0
0xF5	R/W	0x00	n/a	FDD1
LOGICAL DEVICE 1 CONFIGURATION REGISTERS (PM1)				
0x30	R/W	0x00	0x00	Activate
0x60, 0x61	R/W	0x00, 0x00	0x00, 0x00	Primary Base I/O Address
LOGICAL DEVICE 2 CONFIGURATION REGISTERS (RESERVED)				
LOGICAL DEVICE 3 CONFIGURATION REGISTERS (PARALLEL PORT)				
0x30	R/W	0x00	0x00	Activate
0x60, 0x61	R/W	0x00, 0x00	0x00, 0x00	Primary Base I/O Address
0x70	R/W	0x00	0x00	Primary Interrupt Select
0x74	R/W	0x04	0x04	DMA channel Select
0xF0	R/W	0x3C	n/a	Parallel Port Mode Register
0xF1	R/W	0x00	n/a	Parallel Port CnfgB shadow Register
LOGICAL DEVICE 4 CONFIGURATION REGISTERS (SERIAL PORT 1)				
0x30	R/W	0x00	0x00	Activate
0x60, 0x61	R/W	0x00, 0x00	0x00, 0x00	UART Register Base I/O Address
0x70	R/W	0x00	0x00	Primary Interrupt Select
0xF0	R/W	0x00	n/a	Serial Port 1 Mode Register
LOGICAL DEVICE 5 CONFIGURATION REGISTERS (INFRARED)				
0x30	R/W	0x00	0x00	Activate
0x60, 0x61	R/W	0x00, 0x00	0x00, 0x00	Primary Base I/O Address
0x62, 0x63	R/W	0x00, 0x00	0x00, 0x00	SCE Register Base I/O Address
0x70	R/W	0x00	0x00	Primary Interrupt Select
0x74	R/W	0x04	0x04	IRCC 2.0 DMA Channel Select
0xF0	R/W	0x00	n/a	Mode Register
0xF1	R/W	0x02	n/a	IR Options Register
0xF2	R/W	0x03	n/a	IR Half Duplex Timeout
0xF7	R/W	0x00	0x00	Software Select A
0xF8	R/W	0x00	0x00	Software Select B

INDEX	TYPE	HARD RESET	SOFT RESET	CONFIGURATION REGISTER NAME
LOGICAL DEVICE 6 CONFIGURATION REGISTERS (RTC)				
0x30	R/W	0x00	0x00	Activate
0x60, 0x61	R/W	0x00, 0x70	0x00, 0x70	RTC Bank 0 Primary Base Address
0x62, 0x63	R/W	0x00, 0x74	0x00, 0x74	RTC Bank 1 Primary Base Address
0x70	R/W	0x00	0x00	Primary Interrupt Select
0xF0	R/W	0x00	n/a	Real Time Clock Mode Register
00xF1	R	-	-	Shadowed RTC/CMOS Bank 0 Index Register
LOGICAL DEVICE 7 CONFIGURATION REGISTERS (KBD)				
0x30	R/W	0x00	0x00	Activate
0x70	R/W	0x00	0x00	Primary Interrupt Select
0x72	R/W	0x00	0x00	Second Interrupt Select
0xF0	R/W	0x00	0x00	KRST_GA20
LOGICAL DEVICE 8 CONFIGURATION REGISTERS (EC)				
0x30	R/W	0x00	0x00	Activate
0x60, 0x61	R/W	0x00, 0x62	0x00, 0x62	ECI Register Base I/O Address
LOGICAL DEVICE 9 CONFIGURATION REGISTERS (MAILBOX)				
0x30	R/W	0x00	0x00	Activate
0x60, 0x61	R/W	0x00, 0x00	0x00, 0x00	Mailbox Register Base I/O Address
LOGICAL DEVICE A CONFIGURATION REGISTERS (LGPIO)				
0x30	R/W	0x00	0x00	Activate
0x60, 0x61	R/W	0x00, 0x00	0x00, 0x00	Mailbox Register Base I/O Address

31.4 CHIP LEVEL (GLOBAL) CONTROL/CONFIGURATION REGISTERS[0X00-0X2F]

The chip-level (global) registers lie in the address range [0x00-0x2F]. All unimplemented registers and bits ignore writes and return zero when read.

The INDEX PORT is used to select a configuration register in the chip. The DATA PORT is then used to access the selected register. These registers are accessible only in the Configuration State.

Table 313 - Global Configuration Registers

REGISTER	ADDRESS	DESCRIPTION
CHIP (GLOBAL) CONTROL REGISTERS		
	0x00 –0x01	Reserved, Writes are ignored, reads return 0.
Config Control	0x02 W	The hardware automatically clears this bit after the write; there is no need for software to clear the bits. Bit [0] = 1: Soft Reset; Refer to Table 312 for the soft reset value for each register.
Card Level Reserved	0x03W	Reserved - Writes are ignored, reads return 0.
	0x04 - 0x06	Reserved - Writes are ignored, reads return 0.
Logical Device #	0x07 R/W	A write to this register selects the current logical device. This allows access to the control and configuration registers for each logical device. Note: The Activate command operates only on the selected logical device.
Card Level Reserved	0x08 - 0x1F	Reserved - Writes are ignored, reads return 0.
CHIP (GLOBAL) CONTROL REGISTERS		
Device ID Hard Wired	0x20 R	A read-only register which provides device identification.: Bits[7-0] = 0x0E when read
Device Rev Hard Wired	0x21 R	A read-only register which provides device revision information. Bits[7-0] = 0x01 when read

REGISTER	ADDRESS	DESCRIPTION
PowerControl	0x22 R/W	Bit[0] FDC Power Bit[1:2] Reserved (read as 0) Bit[3] Parallel Port Power Bit[4] Serial Port 1 Power Bit[5] Serial Port 2 Power Bit[6:7] Reserved (read as 0) =0 Power off or disabled =1 Power on or Enabled
Power Mgmt	0x23 R/W	Bit[0] FDC (see Note in section 10, FDC Power Management) Bit[1:2] Reserved (read as 0) Bit[3] Parallel Port Bit[4] Serial Port 1 Bit[5] Serial Port 2 Bit[6:7] Reserved (read as 0) =0 Power off or disabled =1 Power on or Enabled
OSC	0x24 R/W	Bit[1:0] Reserved, set to "0" Bit[3:2] OSC =01 OSC is on, BRG clock is on when PWRGD is active, OSC is off and BRG Clock is disabled (default) =10 Same as above (01) case =00 OSC is on, BRG Clock Enabled =11 OSC is off, BRG Clock is disabled Bit[6:4] CLK_OUT Select =[0,0,0] CLK_OUT = 1.8432 MHz =[0,0,1] CLK_OUT = 14.318 MHz =[0,1,0] CLK_OUT = 16 MHz =[0,1,1] CLK_OUT = 24 MHz =[1,0,0] CLK_OUT = 48 MHz =[1,0,1] Reserved =[1,1,X] Reserved Bit[7] nIRQ8 Polarity =0 nIRQ8 is active high =1 nIRQ8 is active low Note: This polarity bit not only affects the nIRQ8 pin, but is also reflected in the Serial IRQ sample phase for the IRQ8 Frame for the Serial IRQ Bus.
Device Mode	0x25 R/W	Bit [1-0] Reserved – writes ignored, reads return "0". Bit[2] SerIRQ Mode (Note 71) = 0 : Serial IRQ Disabled. = 1 : Serial IRQ Enabled (Default). Bit [4:3] Parallel Port FDC = [0:0] Normal = [0:1] PPF1 Mode = [1:0] PPF2 Mode = [1:1] Reserved Bit [7:5] Reserved – writes ignored, reads return "0".

REGISTER	ADDRESS	DESCRIPTION
Registers Base Address	0x26-0x27	See section 31.2.3, Base Address Configuration Registers on page 292.
Test Registers	0x28-0x2B	SMSC Test Mode Registers, Reserved for SMSC.
TEST 0	0x2C	Test Modes - Reserved for SMSC. Users should not write to this register, may produce undesired results.
TEST 1	0x2D R/W	Test Modes : Reserved for SMSC. Users should not write to this register; may produce undesired results.
TEST 2	0x2E R/W	Test Modes - Reserved for SMSC. Users should not write to this register; may produce undesired results.
TEST 3	0x2F R/W	Test Modes - Reserved for SMSC. Users should not write to this register; may produce undesired results.

Note 71: The SerIRQ Mode bit controls the SER_IRQ pin, the nCLKRUN pin and the affects of LPC DMA requests on nCLKRUN (see section 28.2.2 nCLKRUN Support for LPC DMA Cycle on page 284).

31.5 LOGICAL DEVICE CONFIGURATION/CONTROL REGISTERS [0X30-0XFF]

Used to access the registers that are assigned to each logical unit. This chip supports ten logical units and has ten sets of logical device registers:

Floppy

PM1

Parallel

Serial 1

IRCC 2.

Real Time Clock

Keyboard Controller

Embedded Controller

Mailbox Interface

LPC/8051-addressable GPIO

A separate set (bank) of control and configuration registers exists for each Logical Device and is selected with the Logical Device # Register (0x07). The INDEX PORT is used to select a specific logical device register. These registers are then accessed through the DATA PORT. The Logical Device registers are accessible only when the device is in the Configuration State The logical register addresses are listed in Table 314.

Table 314 - Logical Device Configuration Registers

LOGICAL DEVICE REGISTER	ADDRESS	DESCRIPTION
Activate	(0x30)	Bits[7:1] Reserved, set to "0". Bit[0] = 1 Activates the logical device currently selected through the Logical Device # register. = 0 Logical device currently selected is inactive.
Logical Device Control	(0x31-0x37)	Reserved - Writes are ignored, reads return "0".
Logical Device Control	(0x38-0x3F)	Vendor Defined – Reserved - Writes are ignored, reads return "0".
Memory Base Address	(0x40-0x5F)	Reserved - Writes are ignored, reads return "0".

LOGICAL DEVICE REGISTER	ADDRESS	DESCRIPTION
I/O Base Address (see Table 315)	(0x60-0x6F) 0x60= addr[15:8] 0x61= addr[7:0]	All logical devices contain 0x60, 0x61. Unused registers will ignore writes and return "0" when read.
Interrupt Select	(0x70,072)	0x70 is implemented for each logical device. Refer to Interrupt Configuration Register description. Only the KYBD controller uses Interrupt Select register 0x72. Unused register (0x72) will ignore writes and return "0" when read. Interrupts default to edge high (ISA compatible).
	(0x71,0x73)	Reserved - not implemented. These register locations ignore writes and return "0" when read.
DMA Channel Select	(0x74)	Only 0x74 is implemented for FDC , and Parallel port. Refer to Table 317 - DMA Channel Select Configuration Registers
	(0x75)	Reserved - not implemented and ignores writes and returns "0" when read.
32-Bit Memory Space Configuration	(0x76-0xA8)	Reserved - not implemented. These register locations ignore writes and return "0" when read.
Logical Device	(0xA9-0xDF)	Reserved - not implemented. These register locations ignore writes and return "0" when read.
Logical Device Configuration	(0xE0-0xFE)	Reserved - Vendor Defined (see SMSC defined Logical Device Configuration Registers).
Reserved	0xFF	Reserved

Note 72: A logical device will be active and powered up according to the following equation:

DEVICE ON (ACTIVE) = (Activate Bit SET AND Pwr/Control Bit SET) AND (8051 Disable Bit SET)

The Logical device's Activate Bit and its Pwr/Control Bit are linked such that setting or clearing one sets or clears the other. Three bits in the 8051's Disable Register (see Keyboard spec), bits D7, D6 and D4 are capable of overriding the Activate and PWR/Control bit settings for logical devices 3, 4 and 0 respectively. Thus clearing bit D7 of the Disable register will disable the FDC regardless of the FDC's Activate and PWR/Control bits. When D7 of the Disable register is set, the FDC's Activate and PWR/Control bits will determine the on/off state of the FDC. If the I/O Base Addr of the logical device is not within the Base I/O range as shown in the Logical Device I/O map, then read or write is not valid and is ignored.

31.6 I/O BASE ADDRESS CONFIGURATION REGISTER DESCRIPTION

Table 315 - Logical Device, Base I/O Addresses

LOGICAL DEVICE NUMBER	LOGICAL DEVICE	REGISTER INDEX	BASE I/O RANGE (NOTE 1)	FIXED BASE OFFSETS
0x00	FDC	0x60,0x61	[0x100:0x0FF8] ON 8 BYTE BOUNDARIES	+0 : SRA +1 : SRB +2 : DOR +3 : TSR +4 : MSR/DSR +5 : FIFO +7 : DIR/CCR
0x01	Reserved			
0x02	Reserved			
0x03	Parallel Port	0x60,0x61	[0x100:0x0FFC] ON 4 BYTE BOUNDARIES (EPP Not supported) or [0x100:0x0FF8] ON 8 BYTE BOUNDARIES (all modes supported, EPP is only available when the base address is on an 8-byte boundary)	+0 : Data ecpAfifo +1 : Status +2 : Control +3 : EPP Address +4 : EPP Data 0 +5 : EPP Data 1 +6 : EPP Data 2 +7 : EPP Data 3 +400h : cfifo ecpDfifo tfifo cnfgA +401h : cnfgB +402h : ecr
0x04	Serial Port 1	0x60,0x61	[0x100:0x0FF8] ON 8 BYTE BOUNDARIES	+0 : RB/TB LSB div +1 : IER MSB div +2 : IIR/FCR +3 : LCR +4 : MCR +5 : LSR +6 : MSR +7 : SCR
0x05	IRCC 2.0 (UART)	0x60,0x61	[0x100:0x0FF8] ON 8 BYTE BOUNDARIES	+0 : RB/TB LSB div +1 : IER MSB div +2 : IIR/FCR +3 : LCR +4 : MCR +5 : LSR +6 : MSR +7 : SCR
0x05	IRCC 2.0 (IR-SCE)	0x62, 0x63	[0x100:0x0FF8] ON 8 BYTE BOUNDARIES	+0 : Register Block N, address 0 +1 : Register Block N, address 1 +2 : Register Block N, address 2 +3 : Register Block N, address 3 +4 : Register Block N, address 4 +5 : Register Block N, address 5 +6 : Register Block N, address 6 +7 : SCE Master Control Reg.

LOGICAL DEVICE NUMBER	LOGICAL DEVICE	REGISTER INDEX	BASE I/O RANGE (NOTE 1)	FIXED BASE OFFSETS
0x06	RTC	0x60, 0x61 0x62, 0x63	[0x100:0x0FFE] [0x100:0x0FFD]	<u>Bank 0 Base address</u> +0 : Address Register +1 : Data Register <u>Bank 1 Base address</u> +0 : Address Register +2 : Data Register
0x07	KYBD	N/a	Not Relocatable Fixed Base Address	0x60 : Data Register 0x64 : Command/Status Reg.
0x08	ECl	0x60, 0x61 ²	[0x0000:0xFFA] Relocatable	+0 : Data Register ³ +4 : Command Register
0x09	Mailbox Register	0x60, 0x61	[0x0000:0x0FFE]	+0 : Index +1 : Data
0x0A	LPC/8051 GPIO	0x60, 0x61	[0x100:0x0FF0] ON 16 BYTE BOUNDARIES	+0 : LGPIO DIR G +1 : LGPIO INPUT G +2 : LGPIO OUTPUT G +3 : LGPIO DIR H +4 : LGPIO INPUT H +5 : LGPIO OUTPUT H +6 : LGPIO DIR I +7 : LGPIO INPUT I +8 : LGPIO OUTPUT I

Note 1: This chip uses all LPC address bits to decode the base address of each of its logical devices.

Note 2: Please refer to Table 61 – ECl Configuration Registers (LDN8) for further description.

Note 3: Please refer to Table 62 – ECl Run-Time Registers for further description.

31.7 INTERRUPT SELECT CONFIGURATION REGISTER DESCRIPTION

Table 316 - Interrupt Select Configuration Registers

NAME	REG INDEX	DEFINITION
Interrupt request level select 0	0x70 (R/W)	<p>Bit [3-0] Select which interrupt level is used for Interrupt 0.</p> <p>0x00=no interrupt selected. 0x01=IRQ1 0x02=IRQ2</p> <ul style="list-style-type: none"> • • • <p>0x0E= IRQ14 0x0F= IRQ15</p> <p>All pin-type interrupts are edge high (except ECP/EPP). Each Logical Device's interrupts selected through this register physically select the interrupts to be used by the LPC47N252 for either the Serial IRQ interface or for the individual pin-type ISA interrupts if selected. Setting the IRQ through this register for the Parallel Port is not reflected in the Enhanced Parallel port cnfgB register, software must set the DMA/IRQ bits in the Parallel Port logical device config register 0xF1 (Parallel Port CnfgB shadow register).</p>

Note: An interrupt is activated by setting the Interrupt Request Level Select 0 register to a non-zero value AND:

- 1) for the FDC logical device by setting DMAEN, bit D3 of the Digital Output Register.
- 2) for the PP logical device by setting IRQE, bit D4 of the Control Port and in addition
- 3) for the PP logical device in ECP mode by clearing serviceIntr, bit D2 of the ecr.
- 4) for the Serial Port logical device by setting any combination of bits D0-D3 in the IER and by setting the OUT2 bit in the UART's Modem Control (MCR) Register.
- 5) for the RTC by (refer to the RTC section of this specification).
- 6) for the KYBD by (refer to the KYBD controller section of this specification).

31.8 DMA CHANNEL SELECT CONFIGURATION REGISTER DESCRIPTION

Table 317 - DMA Channel Select Configuration Registers

NAME	REG INDEX	DEFINITION
DMA Channel select 0	0x74 (R/W)	Bit [2:0] Select the DMA Channel. 0x00=DMA0 0x01=DMA1 0x02=DMA2 0x03=DMA3 0x04-0x07= No DMA active

Note: A DMA channel is activated by setting the DMA Channel Select 0 register to [0x00-0x03]

AND :

for the FDC logical device by setting DMAEN, bit D3 of the Digital Output Register

for the PP logical device in ECP mode by setting dmaEn, bit D3 of the ecr

for the UART2 logical device, by setting the DMA Enable bit. Refer to the IRCC 2.0 specification available from SMSC

31.9 INTERRUPT AND DMA ENABLE AND DISABLE

Any time the interrupt or DMA for a logical block is disabled by a register bit in that logical block, the interrupt output and/or DMA request cycles must be disabled. This is in addition to the interrupt and DMA disabled by the Configuration Registers (activate bit cleared or address outside of valid range or the Interrupt Select register set to 0x00 or the DMA Channel Select register set to 0x04).

31.9.1 LOGICAL DEVICE 0 (FDC)

For the following cases, the interrupt and DMA channel used by the FDC are disabled.

Digital Output Register (Base+2) bit D3 (DMAEN) set to "0".

The FDC is in power down (disabled).

31.9.2 LOGICAL DEVICE 5 (SERIAL PORT1)

Modem Control Register (MCR) Bit D2 (OUT2) –

When OUT2 is a logic "0", the serial port interrupt is disabled. Disabling DMA Enable bit, disables DMA for UART2. Refer to the IrCC specification.

31.9.3 LOGICAL DEVICE 5 (SERIAL PORT2/USART)

Interrupt is disabled when:

Modem Control Register (MCR) bit 2 (OUT2) - When OUT2 is a logic "0", then Logical Device 5's interrupt is forced to a high impedance state, i.e., disabled. This applies to all UART/IR modes of operation.

DRQ is disabled when:

SCE Configuration Register B bit-0 (DMA Enable) - When the DMA Enable bit is a logic "0", then logical device 5's DMA channel is disabled. When the DMA Enable bit is set to logic "1", then logical device 5's DMA channel is activated.

31.9.4 PARALLEL PORT

SPP and EPP modes: Control Port (Base+2) bit D4 (IRQE) set to "0", IRQ is disabled (high impedance).

ECP Mode:

(DMA) dmaEn from ecr register.

IRQ - See table below.

MODE (FROM ECR REGISTER)		IRQ CONTROLLED BY	DNA CONTROLLED BY
000	PRINTER	IRQE	dmaEn
001	SPP	IRQE	dmaEn
010	FIFO	(on)	dmaEn
011	ECP	(on)	dmaEn
100	EPP	IRQE	dmaEn
101	RES	IRQE	dmaEn
110	TEST	(on)	dmaEn
111	CONFIG	IRQE	dmaEn

31.9.5 REAL TIME CLOCK (RTC)

See to section 27, REAL TIME CLOCK on page 275.

31.9.6 KEYBOARD CONTROLLER (KYBD)

See KEYBOARD CONTROLLER SECTION.

31.10 SMSC DEFINED LOGICAL DEVICE CONFIGURATION REGISTERS

The SMSC Specific Logical Device Configuration Registers reset to their default values only on hard resets. These registers are not effected by soft resets. See section 31.2.4, Configuration Register Reset Conditions on page 292.

Table 318 - FDC, Logical Device 0 [Logical Device Number = 0x00]

NAME	REG INDEX	DEFINITION
FDD Mode Register Default = 0x0E	0xF0 R/W	<p>Bit[0] Floppy Mode =0 Normal Floppy Mode (default) =1 Enhanced Floppy Mode 2 (OS2)</p> <p>Bit[1] FDC DMA Mode =0 Burst Mode is enabled =1 Non-Burst Mode (default)</p> <p>Bit[3:2] Interface Mode</p> <p>Bit 3 – IDENT</p> <p>Bit 2 – MFM =11 AT Mode (default) =10 (Reserved) =01 PS/2 =00 Model 30</p> <p>Bit[4] Swap Drives 0,1 Mode =0 No swap (default) =1 Drive and Motor Sel 0 and 1 are swapped</p> <p>Bit[5] FDC Shutdown =0 LPC47N252 FDC operates normally, FDC pins are active (default) =1 FDC core is shutdown, only I/O Writes to DOR, TDR, DSR and CCR are enabled, all Floppy Disk interface pins tri-state except for DRVDEN0, DRVDEN1, nDS0, nDS1, nMTR0, and nMTR1.</p> <p>Bit[6] FDC Output Type Control =0 FDC Outputs are OD24 Open Drain (default) =1 FDC Outputs are O24 push pull</p> <p>Bit[7] FDC Output Control =0 FDC Outputs active (default) =1 FDC Outputs tri-stated</p> <p>Bits 6 and 7 do not reflect the Parallel Port FDC pins.</p>
FDD Option Register Default = 0x00	0xF1 R/W	<p>Bit[1:0] Reserved, set to "0"</p> <p>Bit[3-2] Density Select =00 Normal (default) =01 Normal (reserved for users) =10 (forced to logic "1") =11 (forced to logic "0")</p> <p>Bit[5:4] Reserved</p> <p>Bit[7:6] Boot Floppy =00 FDD 0 (default) =01 FDD 1 =10 FDD 2 =11 FDD 3</p>
FDD Type Register Default = 0Xff	0xF2 R/W	<p>Bit[1:0] Floppy Drive A Type</p> <p>Bit[3:2] Floppy Drive B Type</p> <p>Bit[5:4] Floppy Drive C Type</p> <p>Bit[7:6] Floppy Drive D Type</p>
	0xF3 R	Reserved, read as 0 (read only)

NAME	REG INDEX	DEFINITION
FDD0 Default = 0x00	0xF4 R/W	Bit[1:0] Drive Type Select (DT1, DT0) (See Table 32 on page 15). Bit[2] Read as "0" (read only) Bit[3:4] Data Rate Table Select (DRT1,DRT0) Bit[5] Read as "0" (read only) Bit[6] Precomp Disable = 0 Use Precompensation = 1 No Precompensation Bit[7] Read as "0" (read only)
FDD1	0xF5 R/W	Refer to definition and default for 0xF4

Table 319 - Parallel Port, Logical Device 3 [Logical Device Number = 0x03]

NAME	REG INDEX	DEFINITION
PP Mode Register Default = 0x3C	0xF0 R/W	Bit [2:0] Parallel Port Mode = 100 Printer Mode (default) = 000 Standard and Bi-directional (SPP) Mode = 001 EPP-1.9 and SPP Mode = 101 EPP-1.7 and SPP Mode = 010 ECP Mode = 011 ECP and EPP-1.9 Mode = 111 ECP and EPP-1.7 Mode Bit[6:3] ECP FIFO Threshold 0111b (default) Bit[7] PP Interrupt Type Not valid when the parallel port is in the Printer Mode (100) or the Standard \$ Bi-Directional Mode (000) =1 Pulsed Low, released to high-Z (665/666) =0 IRW follows nACK when parallel port in EPP Mode or [Printer, SPP, EPP] under ECP, TEST or Centronics FIFO Mode.
Parallel Port CnfgB shadow Register Default = 0x00	0xF1 R/W	Bits [2:0] Parallel Port DMA channel Select = 000 h/w jumpered 8-bit DMA (default) = 001 DMA channel 1 = 010 DMA channel 2 = 011 DMA channel 3 Bits [5:3] Parallel Port IRQ line Select = 000 h/w jumpered IRQ (default) = 001 IRQ 7 = 010 IRQ 9 = 011 IRQ 10 = 100 IRQ 11 = 101 IRQ 14 = 110 IRQ 15 = 111 IRQ 5 Bit [6] Reserved, ignores writes, returns "0" on reads. Bit [7] Timeout_Select (NOTES: the Timeout_Select bit affects the EPP Status Register Timeout bit. The Timeout_Select bit does not appear in the Parallel Port CnfgB register). = 0 Timeout bit cleared on trailing edge of EPP Status Register Read (default). = 1 Timeout bit cleared on a write of '1' to the Timeout bit. NOTE: The DMA/IRQ bits in this register are reflected in the Enhanced Parallel Port's read-only cnfgB register.

Table 320 - Serial Port 1, LOGICAL DEVICE 4 [LOGICAL DEVICE Number = 0X04]

NAME	REG INDEX	DEFINITION
Serial Port 1 Mode Register Default = 0x00	0xF0 R/W	Bit[0] MIDI Mode = 0 MIDI support disabled (default) = 1 MIDI support enabled Bit[1] High Speed = 0 High Speed Disabled (default) = 1 High Speed Enabled Bit[6:2] Reserved, set to "0" Bit[7] Reserved

Table 321 - Infrared, Logical Device 5 [Logical Device Number = 0x05]

NAME	REG INDEX	DEFINITION
Infrared Mode Register Default = 0x00	0xF0 R/W	Bit[0] MIDI Mode =0 MIDI support disabled (default) =1 MIDI support enabled Bit[1] High Speed =0 High Speed Disabled (default) =1 High Speed Enabled Bit[7:2] Reserved
IR Option Register Default = 0x00	0xF1 R/W	Bit[0] Receive Polarity =0 Active High =1 Active Low (default) Bit[1] Transmit Polarity =0 Active High (Default) =1 Active Low Bit[2] Duplex Select =0 Full Duplex (Default) =1 Half Duplex Bit[5:3] UART/IR Mode =000 Standard COMM (default) =001 IrDA SIR-A =010 ASK-IR =011 (IrDA SIR-B) =100 (IrDA HDLC) =101 (IrDA 4PPM) =110 (Consumer) =111 (Raw IR) Bit[7:6] IRCC 2.0 Output Mux =00 Active Device to COM-RX/COM-TX port (default) =01 Active Device to IRRX/IRTX port =10 Reserved-use AUX port not mapped to pins thus both IR and COM ports are inactive =11 Reserved, all ports are inactive

NAME	REG INDEX	DEFINITION
IR Half Duplex Timeout Default = 0x03	0xF2 R/W	Bit[7:0] These bits set the half duplex time-out for the IR port. This value is 0 to 10ms in 100µs increments =0x00 blank RX/TX during Transmit/Receive =0x01 blank TX/TX during Xmit/Rcv + 100µs =0x64 blank RX/TX during Xmit/Rcv +10ms =0x65 - 0xFF: Reserved

See Section 8.4.1, Software Select Registers A and B on page

Table 322 - RTC, LOGICAL DEVICE 6 [LOGICAL DEVICE NUMBER = 0X06]

NAME	REG INDEX	DEFINITION	STATE
RTC Mode Register Default = 0x00	0xF0 R/W	Bit[0] = 1 : Lock CMOS RAM 80-9Fh Bit[1] = 1 : Lock CMOS RAM A0-BFh Bit[2] = 1 : Lock CMOS RAM C0-DFh Bit[3] = 1 : Lock CMOS RAM E0-FEh Bit[7:4] Reserved, set to "0" Once set, bit[3:0] can not be cleared by a write; bits[3:0] are cleared on VCC2 Power On Reset, VCC2 Power Off, or upon a Hard Reset (nRESET_OUT asserted). Once lock bits are set, both the Host and the 8051 are locked out of accessing the locked locations as long as VCC1 and VCC2 are active. When VCC2 goes to 0V, the lock bits are cleared and the 8051 can access this RAM while nRESET_OUT is asserted.	C

Table 323 - KYBD, LOGICAL DEVICE 7 [LOGICAL DEVICE NUMBER = 0X07]

NAME	REG INDEX	DEFINITION	STATE
KRST_GA20	0xf0 R/W	Bit[0] : ENAB_P92 = 0 : Port 92 Disabled = 1 : Port 92 Enabled Bit[7:0] : Reserved, set to "0".	

Note: See 16.5.4 for descriptions of these registers.

32 ELECTRICAL SPECIFICATIONS

32.1 MAXIMUM GUARANTEED RATINGS*

Operating Temperature Range.....	0°C to +70°C
Storage Temperature Range.....	-55° to +150°C
Lead Temperature Range (soldering, 10 seconds)	+325°C
Positive Voltage on any pin, with respect to Ground	+5.5V
Negative Voltage on any pin, with respect to Ground.....	-0.3V
Supply Voltage Range V_{CC1} and V_{CC2}	V_{CC1} and V_{CC2}

*Stresses above those listed above could cause permanent damage to the device. This is a stress rating only and functional operation of the device at any other condition above those indicated in the operation sections of this specification is not implied.

Note: When powering this device from laboratory or system power supplies, it is important that the Absolute Maximum Ratings not be exceeded or device failure can result. Some power supplies exhibit voltage spikes on their outputs when the AC power is switched on or off. In addition, voltage transients on the AC power line may appear on the DC output. If this possibility exists, it is suggested that a clamp circuit be used.

Table 324 - Operating Conditions

SYMBOL	PARAMETER	MIN	TYP	MAX	UNITS
Vcc0	Vbat for RTC	2.4	3.0	3.3	V
Vcc1	Vcc for 8051	3.15	3.3	3.45	V
Vcc2	System Vcc	3.15	3.3	3.45	V
PCI_CLK	PCI Clock		33		MHz
XTAL1/XTAL2	RTC Crystal		32.768		kHz
CLOCKI	14.318 Clock Input		14.318		MHz
T _A	Operating Temperature	0		70	°C

32.2 DC SPECIFICATIONS

DC ELECTRICAL CHARACTERISTICS (T_A = 0°C - 70°C, V_{CC1} and V_{CC2}= 3.3 VDC)

PARAMETER	SYMBOL	MIN	TYP	MAX	UNITS	COMMENTS
I Type Input Buffer						
Low Input Level	V _{IL}			0.8	V	TTL Levels
High Input Level	V _{IHI}	2.0			V	
IS Type Input Buffer						
Low Input Level	V _{IUS}			0.8	V	Schmitt Trigger
High Input Level	V _{IHS}	2.2			V	Schmitt Trigger
Schmitt Trigger Hysteresis	V _{HYS}		250		mV	

PARAMETER	SYMBOL	MIN	TYP	MAX	UNITS	COMMENTS
ISP Type Input Buffer with 90 μA weak pull-up						
Low Input Level	V_{ILIS}			0.8	V	Schmitt Trigger
High Input Level	V_{IHIS}	2.2			V	Schmitt Trigger
Schmitt Trigger Hysteresis	V_{HYS}		250		mV	
I_{CLK} Input Buffer						
Low Input Level	V_{ILCK}			0.4	V	
High Input Level	V_{IHCK}	3.0			V	
O_{CLK2} Crystal Oscillator Output	Use a 32 KHz parallel resonant crystal oscillator. The load capacitors are seen by the crystal as two capacitors in series and should be approximately 2 times the C_o of the actual crystal used ($C1=2C_o$). For example, a 7.5pF crystal should use two 15pF capacitors for proper loading.					
I _{CLK2} Crystal Oscillator Input						
Input Leakage (All I and IS buffers except PWRGD & VCC1_PWRGD)						
Low Input Leakage	I_{IL}	-10		+10	μ A	$V_{IN} = 0$
High Input Leakage	I_{IH}	-10		+10	μ A	$V_{IN} = V_{CC}$ or $V_{IN} = 5 V$.
Input Current PWRGD	I_{OH}		75	150	μ A	$V_{IN} = 0$
O4 Type Buffer						
Low Output Level	V_{OL}			0.4	V	$I_{OL} = 4 \text{ mA}$
High Output Level	V_{OH}	2.4			V	$I_{OH} = -2 \text{ mA}$
Output Leakage	I_{OL}	-10		+10	μ A	$V_{IN} = 0 \text{ to } V_{CC}$
OD4 Type Buffer						
Low Output Level	V_{OL}			0.4	V	$V_{OL} = 4 \text{ mA}$
Output Leakage	I_{OH}	-10		+10	μ A	$I_{OH} = 0 \text{ to } V_{CC}$
O8 Type Buffer						
Low Output Level	V_{OL}			0.4	V	$I_{OL} = 8 \text{ mA}$
High Output Level	V_{OH}	2.4			V	$I_{OH} = -4 \text{ mA}$
Output Leakage	I_{OL}	-10		+10	μ A	$V_{IN} = 0 \text{ to } V_{CC}$
OD8 Type Buffer						
Low Output Level	V_{OL}			0.4	V	$V_{OL} = 8 \text{ mA}$
Output Leakage	I_{OH}	-10		+10	μ A	$I_{OH} = 0 \text{ to } V_{CC}$

PARAMETER	SYMBOL	MIN	TYP	MAX	UNITS	COMMENTS
O24 Type Buffer						
Low Output Level	V_{OL}			0.4	V	$I_{OL} = 24 \text{ mA}$
High Output Level	V_{OH}	2.4			V	$I_{OH} = -12 \text{ mA}$
Output Leakage	I_{OL}	-10		+10	μA	$V_{IN} = 0 \text{ to } V_{CC}$
OD24 Type Buffer						
Low Output Level	V_{OL}			0.4	V	$I_{OL} = 24 \text{ mA}$
High Output Level	V_{OH}	2.4			V	$I_{OH} = -50 \text{ mA}$
Output Leakage	I_{OL}	-10		+10	μA	$V_{IN} = 0 \text{ to } V_{CC}$
IO12 Type Buffer						
Low Output Level	V_{OL}			0.4	V	$I_{OL} = 12 \text{ mA}$
High Output Level	V_{OH}	2.4			V	$I_{OH} = -6 \text{ mA}$
Output Leakage	I_{OL}	-10		+10	μA	$V_{IN} = 0 \text{ to } V_{CC}$
IO8 Type Buffer						
Low Output Level	V_{OL}			0.4	V	$I_{OL} = 8 \text{ mA}$
High Output Level	V_{OH}	2.4			V	$I_{OH} = -4 \text{ mA}$
Output Leakage	I_{OL}	-10		+10	μA	$V_{IN} = 0 \text{ to } V_{CC}$ (Note 2)
Input Leakage (All I and IS buffers except FAD[7:0])						
FAD[7:0]						
Input Leakage						
Low Input Leakage	I_{IL}	-100		+100	nA	$V_{IN} = 0$
High Input Leakage	I_{IH}	-100		+100	nA	$V_{IN} = V_{CC} \text{ or } V_{IN} = 5 \text{ V.}$
IOD8 Type Buffer						
Low Output Level	V_{OL}	0.5			V	$I_{OL} = 8 \text{ mA}$
High Input Level	V_{IH}	2.0			V	
High Input Level	V_{IL}	0.8			V	
Output Leakage						

PARAMETER	SYMBOL	MIN	TYP	MAX	UNITS	COMMENTS
IOD16 Type Buffer						
Low Output Level	V_{OL}	0.5			V	$I_{OL}=16\text{ mA}$
High Input Level	V_{IH}	2.0			V	
High Input Level	V_{IL}	0.8			V	
Output Leakage						
IOP14 Type Buffer						
Low Output Level	V_{OL}			0.4	V	$I_{OL} = 14\text{mA}$
High Output Level	V_{OH}	2.4			V	$I_{OH} = -14\text{mA}$
Output Leakage	I_{OL}	-10		+10	μA	$V_{IN} = 0\text{ to }5\text{V}$
IP Type Buffer						
Low Input Level	V_{IL}			0.8	V	
High Input Level	V_{IH}	2.0			V	
IPD Type Buffer						
Low Input Level	V_{IL}				V	
High Input Level	V_{IH}				V	
O12 Type Buffer						
Low Output Level	V_{OL}			0.4	V	$I_{OL} = 12\text{mA}$
High Output Level	V_{OH}	2.4			V	$I_{OH} = -6\text{mA}$
OD12 Type Buffer						
Low Output Level	V_{OL}			0.4	V	$I_{OL} = 12\text{mA}$
Output Leakage	I_{OL}	-10		+10	μA	$V_{IN} = 0\text{ to }5\text{V}$
OD14 Type Buffer						
Low Output Level	V_{OL}			0.4	V	$I_{OL} = 14\text{mA}$
Output Leakage	I_{OL}	-10		+10	μA	$V_{IN} = 0\text{ to }5\text{V}$
OD16 Type Buffer						
Low Output Level	V_{OL}			0.4	V	$I_{OL} = 16\text{mA}$
Output Leakage	I_{OL}	-10		+10	μA	$V_{IN} = 0\text{ to }5\text{V}$

PARAMETER	SYMBOL	MIN	TYP	MAX	UNITS	COMMENTS
OP14 Type Buffer						
Low Output Level				0.4	V	$I_{OL} = 14\text{mA}$
High Output Level	V_{OL}	2.4			V	$I_{OH} = -14\text{mA}$
Output Leakage	V_{OH}	-10		+10	μA	$V_{IN} = 0 \text{ to } 5\text{V}$ Note: All output leakage's are measured with the current pins in high impedance
	I_{OL}					
PCI_CLK Type Buffer						
						See Specification for PCI Systems Version 6.0
PCI_IO Type Buffer						
						See Specification for PCI Systems Version 6.0
PCI_OD Type Buffer						
						See Specification for PCI Systems Version 6.0
ICLK Type Buffer						
Low Input Level	V_{IL}			0.4	V	
High Input Level	V_{IHCLK}	2.4			V	
ICLK2 Type Buffer						
OCLK2 Type Buffer						
						Use a 32 kHz parallel resonant crystal oscillator. The load capacitors are seen by the crystal as two capacitors in series and should be approximately 2 times the C_0 of the actual crystal used ($c_1 - c_0$). For example a 7.5 pF crystal should use two 15 pF capacitors for proper loading.

Table 325 - Power Consumption In Various States

V_{CC2} (VDC)	V_{CC1} (VDC)	8051 STATE	CLOCK STATE	Supply Current (AMPS)			COMMENTS
				MIN	TYP	MAX	
3.3	3.3	Run	24 Mhz	I_{CC2} I_{CC1}	15 ma 24 ma	20 ma 30 ma	FLOPPY @ 1 Meg Data Rate ACCESS.Bus @ 24 Mhz
3.3	3.3	Run	12 Mhz	I_{CC2} I_{CC1}	13 ma 12 ma	15 ma 18 ma	FLOPPY @ 500K Data Rate ACCESS.Bus @ 12 Mhz
3.3	3.3	Run	Ring OSC	I_{CC2} I_{CC1}	>1ma 8 ma	2 ma 10 ma	PLL On ACCESS.Bus Off
3.3	3.3	Idle	Ring OSC	I_{CC2} I_{CC1}	>1ma 5ma	2 ma 7 ma	PLL Off
3.3	3.3	Idle	32 Mhz	I_{CC2} I_{CC1}	tbd	tbd	Flash program cycle
0	3.3	Run	Ring OSC	I_{CC2} I_{CC1}	8 ma	10ma	PLL Off ACCESS.Bus Off
0	3.3	Idle	Ring OSC	I_{CC2} I_{CC1}	6 ma	8ma	PLL Off ACCESS.Bus Off
0	3.3	Sleep	Stop	I_{CC1}		160 μa	XOSEL=1
0	3.3	Sleep	Stop	I_{CC1}	50 μa	80 μa	XOSEL=0
0	0			I_{CC0}	40 μa	60 μa	2.4 < V_{CC0} < 4 VDC, XOSEL=1,
0	0			I_{CC0}	0.4 μa	1.5 μa	2.4 < V_{CC0} < 4 VDC, XOSEL = 0

Note: When a single-ended 32.768kHz clock source is selected (see Section 32kHz Clock Input. The LPC47N252 uses the XOSEL pin to select either a 32.768kHz input clock or a 32.768kHz crystal to drive the Real Time Clock Interface (Table 2 - PIN FUNCTION DESCRIPTION). When XOSEL = '0', The RTC uses a 32.768kHz crystal connected between the XTAL1 and XTAL2 pins. When XOSEL = '1', the RTC is driven by a 32.768kHz single-ended clock source connected to the XTAL2 pin. Start up delay for 32Khz can be 5 seconds.

32.3 AC SPECIFICATIONS

AC Test Conditions

CAPACITANCE $T_A = 25^\circ\text{C}$; $f_c = 1\text{MHz}$; $V_{cc} = 3.3\text{VDC}$

PARAMETER	SYMBOL	LIMITS			UNIT	TEST CONDITION
		MIN	TYP	MAX		
Clock Input Capacitance	C_{IN}			20	pF	All pins except pin under test tied to AC ground
Input Capacitance	C_{IN}			10	pF	
Output Capacitance	C_{OUT}			20	pF	

33 TIMING DIAGRAMS

33.1 CLOCK AND RESET TIMING

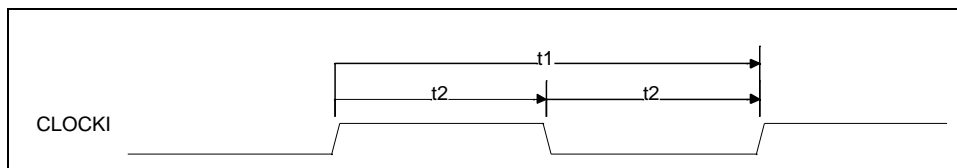


FIGURE 73 - INPUT CLOCK TIMING

Table 326 - Input Clock Timing Parameters

NAME	DESCRIPTION	MIN	TYP	MAX	UNITS
t1	Clock Cycle Time for 14.318 MHz (Note)		69.84		ns
t2	Clock High Time/Low Time for 14.318 MHz	15			ns
tr, tf	Clock Rise Time/Fall Time (not shown)			5	ns

Note: Tolerance is $\pm 0.01\%$.

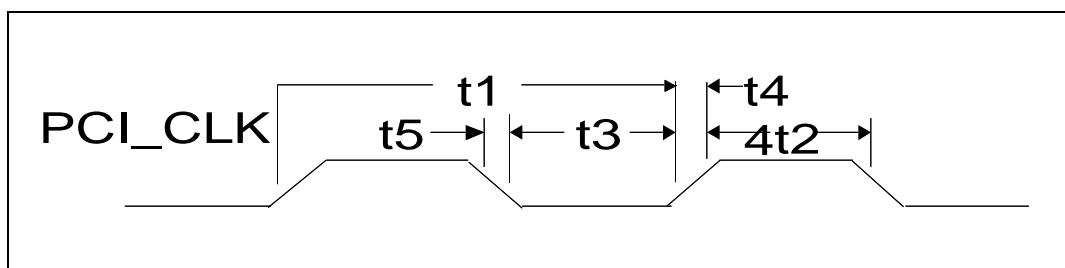


FIGURE 74 – PCI CLOCK TIMING

NAME	DESCRIPTION	MIN	TYP	MAX	UNITS
t1	PERIOD	30		33.3	nsec
t2	High Time	12			nsec
t3	Low Time	12			nsec
t4	Rise Time			3	nsec
t5	Fall Time			3	nsec

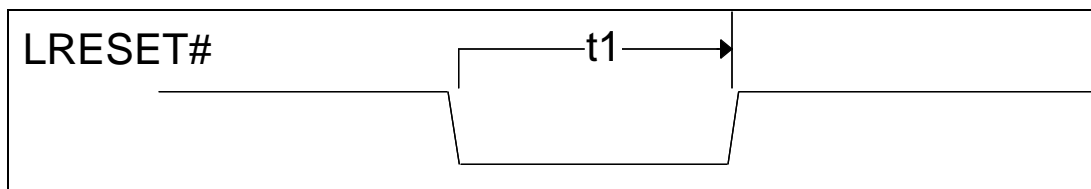


FIGURE 75 - RESET TIMING

NAME	DESCRIPTION	MIN	TYP	MAX	UNITS
t1	LRESET# width	1			ms

33.2 LPC TIMING

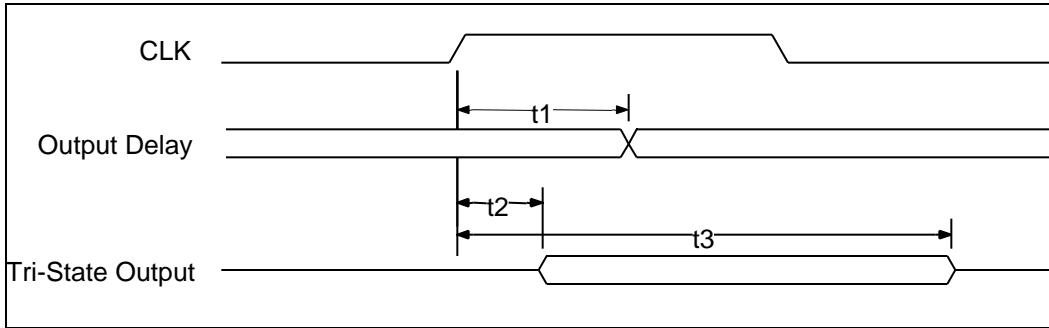


FIGURE 76 – OUPUT TIMING MEASUREMENT CONDITIONS, LPC SIGNALS

NAME	DESCRIPTION	MIN	TYP	MAX	UNITS
t1	CLK to Signal Valid Delay – Bused Signals	2		11	ns
t2	Float to Active Delay	2		11	ns
t3	Active to Float Delay			28	ns

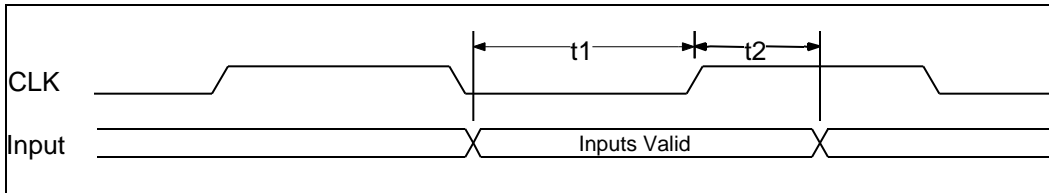


FIGURE 77 – INPUT TIMING MEASUREMENT CONDITIONS, LPC SIGNALS

NAME	DESCRIPTION	MIN	TYP	MAX	UNITS
t1	Input Set Up Time to CLK – Bused Signals	7			ns
t2	Input Hold Time from CLK	0			ns

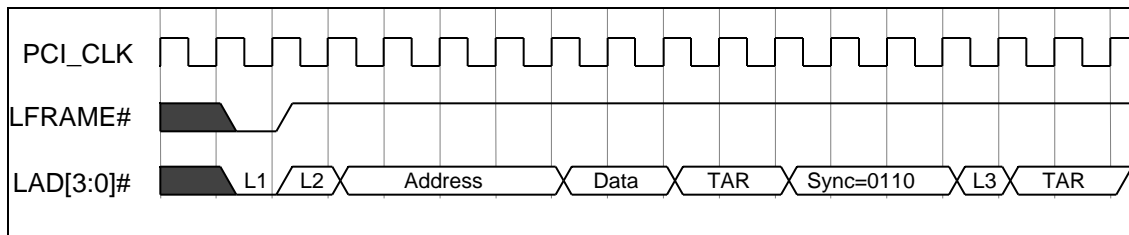


FIGURE 78 – I/O WRITE

Note: L1=Start; L2=CYCTYP+DIR; L3=Sync of 0000

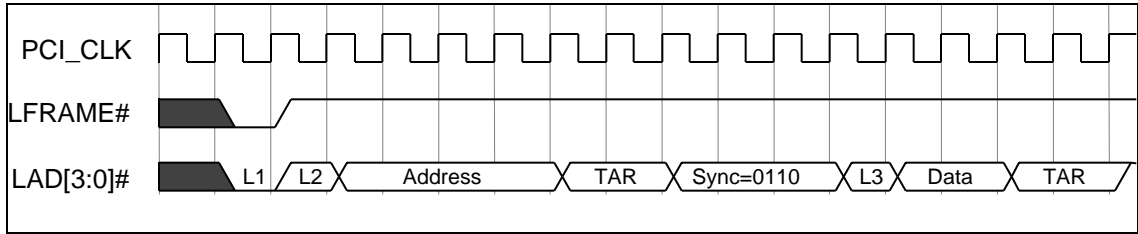


FIGURE 79 – I/O READ

Note: L1=Start; L2=CYCTYP+DIR; L3=Sync of 0000

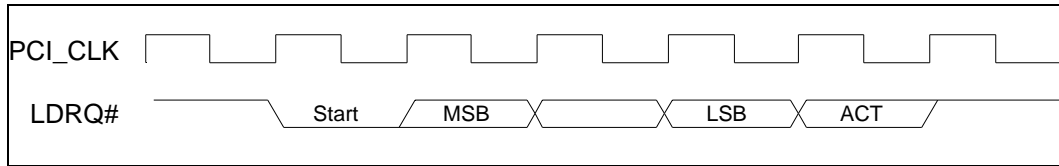


FIGURE 80 – DMA REQUEST ASSERTION THROUGH LDRQ#

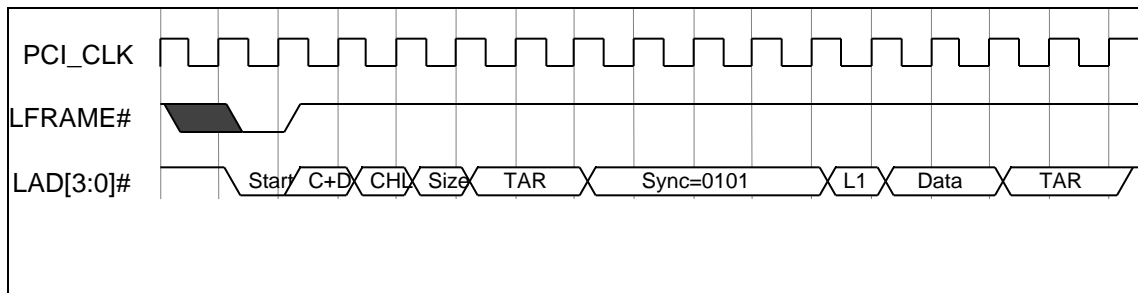


FIGURE 81 – DMA WRITE (FIRST BYTE)

Note: L1=Sync of 0000

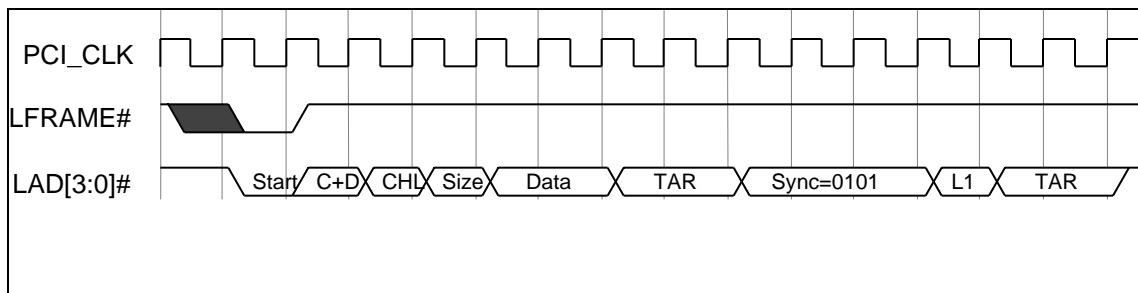


FIGURE 82 – DMA READ (FIRST BYTE)

Note: L1=Sync of 0000

33.3 FLOPPY DISK TIMING

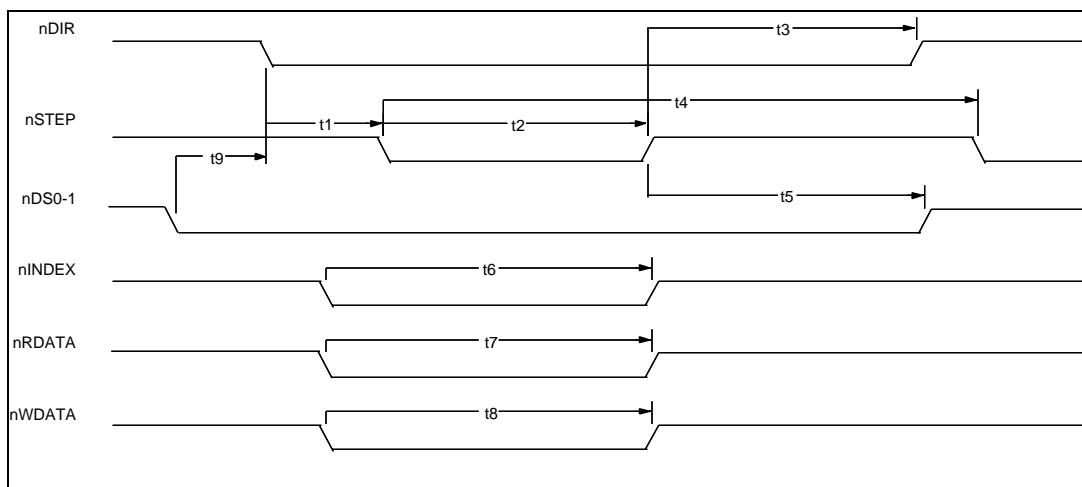


FIGURE 83 – FLOPPY DISK DRIVE TIMING (AT MODE ONLY)

NAME	DESCRIPTION	MIN	TYP	MAX	UNITS
t1	nDIR Set Up to STEP Low		4		X*
t2	nSTEP Active Time Low		24		X*
t3	nDIR Hold Time after nSTEP		96		X*
t4	nSTEP Cycle Time		132		X*
t5	nDS0-1 Hold Time from nSTEP Low (Note)		20		X*
t6	nINDEX Pulse Width		2		X*
t7	nRDATA Active Time Low		40		ns
t8	nWDATA Write Data Width Low		.5		Y*
t9	nDS0-1, Setup Time nDIR Low (Note)	0			ns

*X specifies one MCLK period and Y specifies one WCLK period.

MCLK = 16 x Data Rate (at 500 kb/s MCLK = 8 MHz)

WCLK = 2 x Data Rate (at 500 kb/s WCLK = 1 MHz)

Note: The nDS0-1 setup and hold times must be met by software.

33.4 EPP TIMING

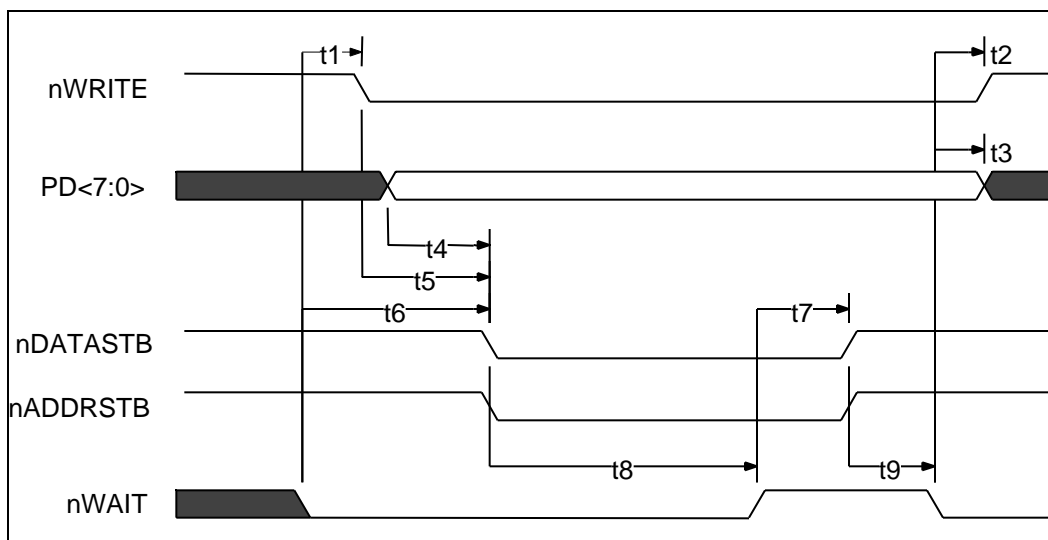


FIGURE 84 – EPP 1.9 DATA OR ADDRESS WRITE CYCLE

NAME	DESCRIPTION	MIN	TYP	MAX	UNITS
t1	nWAIT Asserted to nWRITE Asserted (Note 1)	60		185	ns
t2	nWAIT Asserted to nWRITE Change (Note 1)	60		185	ns
t3	nWAIT Asserted to PDATA Invalid (Note 1)	0			ns
t4	PDATA Valid to Command Asserted	10			ns
t5	nWRITE to Command Asserted	5		35	ns
t6	nWAIT Asserted to Command Asserted (Note 1)	60		210	ns
t7	nWAIT Deasserted to Command Deasserted (Note 1)	60		190	ns
t8	Command Asserted to nWAIT Deasserted	0		10	μs
t9	Command Deasserted to nWAIT Asserted	0			ns

Note 1: nWAIT must be filtered to compensate for ringing on the parallel bus cable. WAIT is considered to have settled after it does not transition for a minimum of 50 nsec.

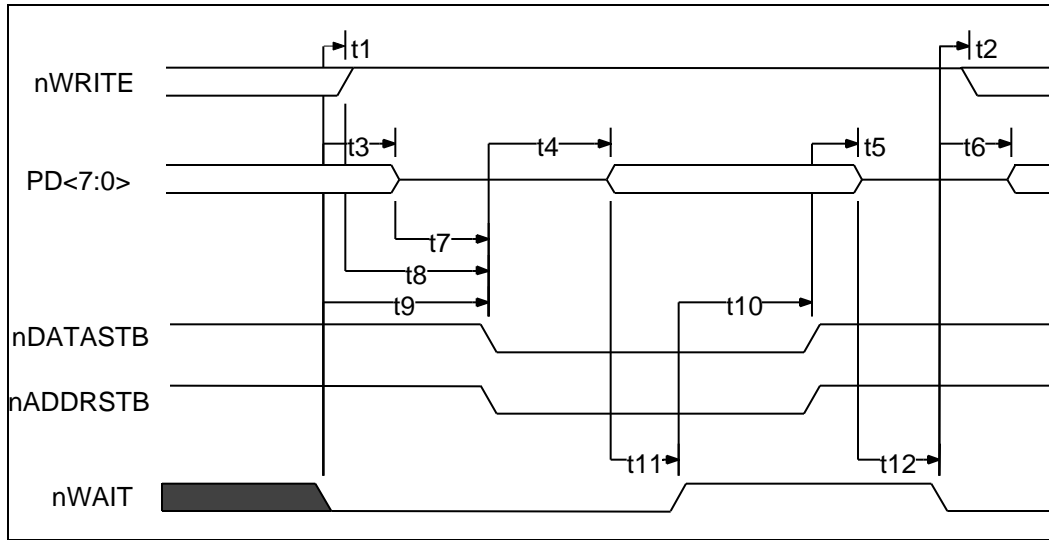


FIGURE 85 – EPP 1.9 DATA OR ADDRESS READ CYCLE

NAME	DESCRIPTION	MIN	TYP	MAX	UNITS
t1	nWAIT Asserted to nWRITE Deasserted	0		185	ns
t2	nWAIT Asserted to nWRITE Modified (Notes 1,2)	60		190	ns
t3	nWAIT Asserted to PDATA Hi-Z (Note 1)	60		180	ns
t4	Command Asserted to PDATA Valid	0			ns
t5	Command Deasserted to PDATA Hi-Z	0			ns
t6	nWAIT Asserted to PDATA Driven (Note 1)	60		190	ns
t7	PDATA Hi-Z to Command Asserted	0		30	ns
t8	nWRITE Deasserted to Command	1			ns
t9	nWAIT Asserted to Command Asserted	0		195	ns
t10	nWAIT Deasserted to Command Deasserted (Note 1)	60		180	ns
t11	PDATA Valid to nWAIT Deasserted	0			ns
t12	PDATA Hi-Z to nWAIT Asserted	0			µs

Note 1: nWAIT is considered to have settled after it does not transition for a minimum of 50 ns.

Note 2: When not executing a write cycle, EPP nWRITE is inactive high.

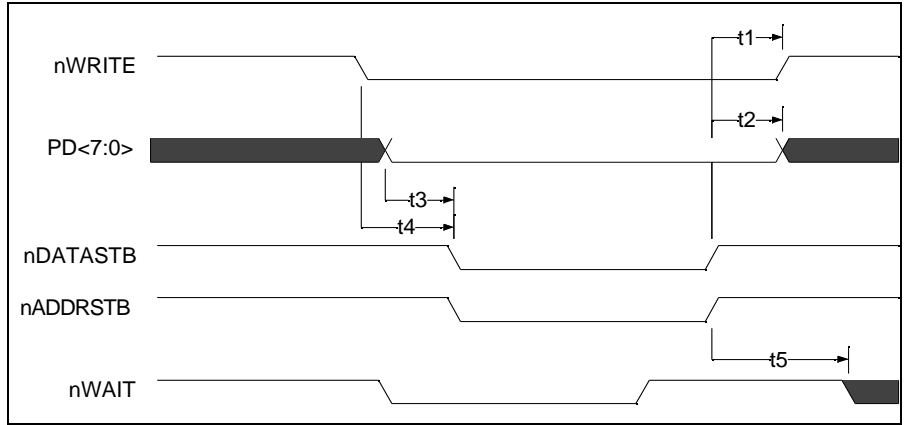


FIGURE 86 – EPP 1.7 DATA OR ADDRESS WRITE CYCLE

NAME	DESCRIPTION	MIN	TYP	MAX	UNITS
t1	Command Deasserted to nWRITE Change	0		40	ns
t2	Command Deasserted to PDATA Invalid	50			ns
t3	PDATA Valid to Command Asserted	10		35	ns
t4	nWRITE to Command	5		35	ns
t5	Command Deasserted to nWAIT Deasserted	0			ns

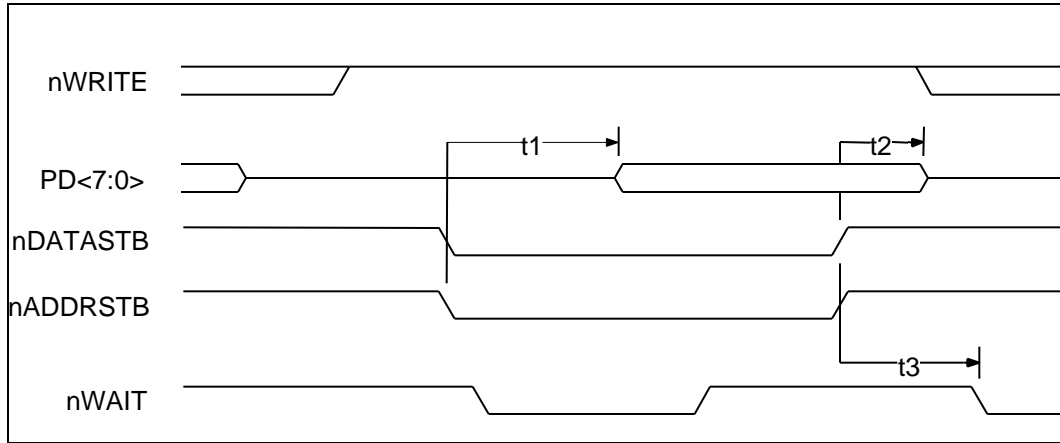


FIGURE 87 – EPP 1.7 DATA OR ADDRESS READ CYCLE

NAME	DESCRIPTION	MIN	TYP	MAX	UNITS
t1	Command Asserted to PDATA Valid	0			ns
t2	Command Deasserted to PDATA Hi-Z	0			ns
t3	Command Deasserted to nWAIT Deasserted	0			ns

33.5 ECP PARALLEL PORT TIMING

Parallel Port FIFO (Mode 101)

The standard parallel port is run at or near the peak 500Kbytes/sec allowed in the forward direction using DMA. The state machine does not examine nACK, but begins the next transfer based on Busy. Refer to **FIGURE 88 - PARALLEL PORT FIFO TIMING**.

ECP Parallel Port Timing

The timing is designed to allow operation at approximately 2.0 Mbytes/sec over a 15ft. cable. If a shorter cable is used then the bandwidth will increase.

Forward-Idle

When the host has no data to send it keeps HostClk () high and the peripheral will leave PeriphClk (Busy) low.

Forward Data Transfer Phase

The interface transfers data and commands from the host to the peripheral using an interlocked PeriphAck and HostClk. The peripheral may indicate its desire to send data to the host by asserting nPeriphRequest.

The Forward Data Transfer Phase may be entered from the Forward-Idle Phase. While in the Forward Phase the peripheral may asynchronously assert the nPeriphRequest (nFault) to request that the channel be reversed. When the peripheral is not busy it sets PeriphAck (Busy) low. The host then sets HostClk (nStrobe) low when it is prepared to send data. The data must be stable for the specified setup time prior to the falling edge of HostClk. The peripheral then sets PeriphAck (Busy) high to acknowledge the handshake. The host then sets HostClk (nStrobe) high. The peripheral then accepts the data and sets PeriphAck (Busy) low, completing the transfer. This sequence is shown in **FIGURE 89 - ECP PARALLEL PORT FORWARD TIMING**. The timing is designed to provide 3 cable round-trip times for data setup if Data is driven simultaneously with HostClk (nStrobe).

Reverse-Idle Phase

The peripheral has no data to send and keeps PeriphClk high. The host is idle and keeps HostAck low.

Reverse Data Transfer Phase

The interface transfers data and commands from the peripheral to the host using an interlocked HostAck and PeriphClk.

The Reverse Data Transfer Phase may be entered from the Reverse-Idle Phase. After the previous byte has been accepted the host sets HostAck (nALF) low. The peripheral then sets PeriphClk (nACK) low when it has data to send. The data must be stable for the specified setup time prior to the falling edge of PeriphClk. When the host is ready to accept a byte it sets HostAck (nALF) high to acknowledge the handshake. The peripheral then sets PeriphClk (nACK) high. After the host has accepted the data it sets HostAck (nALF) low, completing the transfer. This sequence is shown in **FIGURE 90 - ECP PARALLEL PORT REVERSE TIMING**.

Output Drivers

To facilitate higher performance data transfer, the use of balanced CMOS active drivers for critical signals (Data, HostAck, HostClk, PeriphAck, PeriphClk) are used ECP Mode. Because the use of active drivers can present compatibility problems in Compatible Mode (the control signals, by tradition, are specified as open-collector), the drivers are dynamically changed from open-collector to totem-pole. The timing for the dynamic driver change is specified in the IEEE 1284 Extended Capabilities Port Protocol and ISA Interface Standard, Rev. 1.14, July 14, 1996, available from Microsoft. The dynamic driver change must be implemented properly to prevent glitching the outputs.

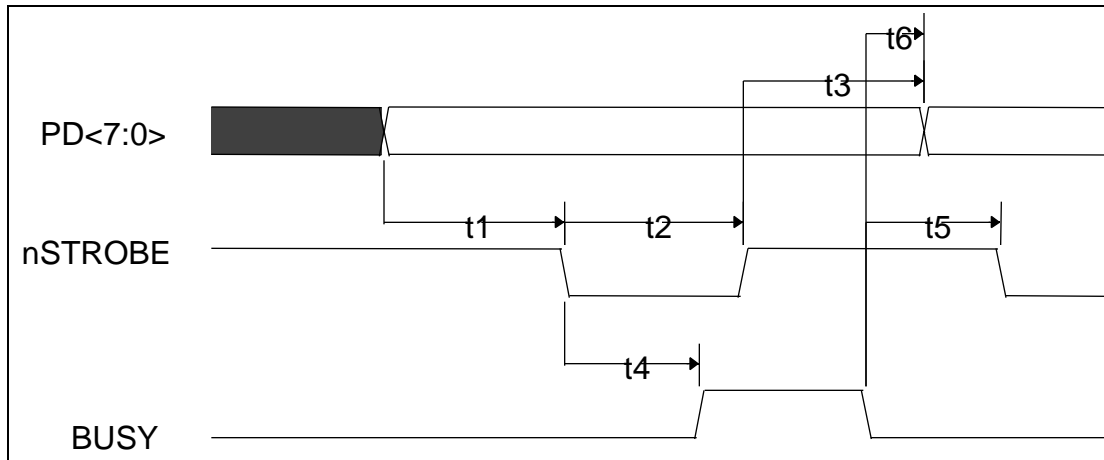


FIGURE 88 - PARALLEL PORT FIFO TIMING

NAME	DESCRIPTION	MIN	TYP	MAX	UNITS
t1	DATA Valid to nSTROBE Active	600			ns
t2	nSTROBE Active Pulse Width	600			ns
t3	DATA Hold from nSTROBE Inactive (Note 1)	450			ns
t4	nSTROBE Active to BUSY Active			500	ns
t5	BUSY Inactive to nSTROBE Active	680			ns
t6	BUSY Inactive to PDATA Invalid (Note 1)	80			ns

Note 1: The data is held until BUSY goes inactive or for time t3, whichever is longer. This only applies if another data transfer is pending. If no other data transfer is pending, the data is held indefinitely.

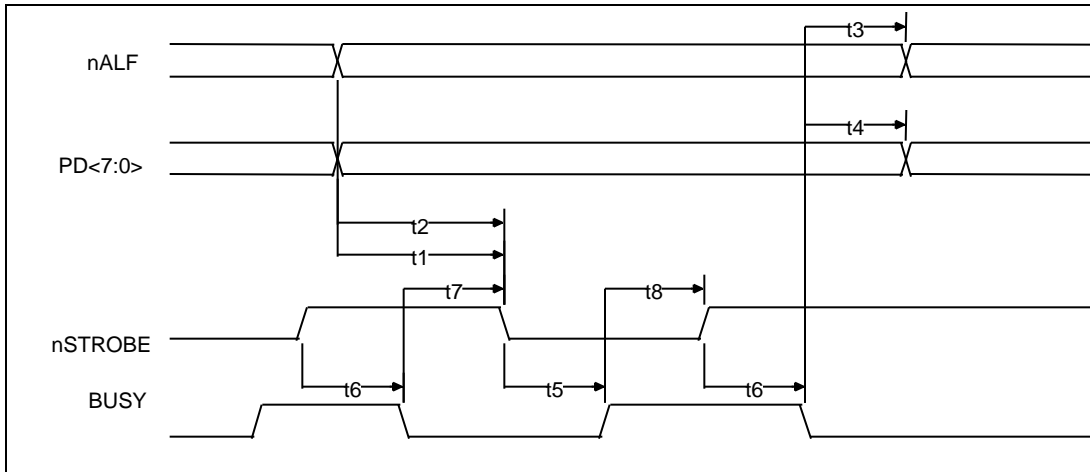


FIGURE 89 - ECP PARALLEL PORT FORWARD TIMING

NAME	DESCRIPTION	MIN	TYP	MAX	UNITS
t1	nALF Valid to nSTROBE Asserted	0		60	ns
t2	PDATA Valid to nSTROBE Asserted	0		60	ns
t3	BUSY Deasserted to nALF Changed (Notes 1,2)	80		180	ns
t4	BUSY Deasserted to PDATA Changed (Notes 1,2)	80		180	ns
t5	nSTROBE Asserted to Busy Asserted	0			ns
t6	nSTROBE Deasserted to Busy Deasserted	0			ns
t7	BUSY Deasserted to nSTROBE Asserted (Notes 1,2)	80		200	ns
t8	BUSY Asserted to nSTROBE Deasserted (Note 2)	80		180	ns

Note 1: Maximum value only applies if there is data in the FIFO waiting to be written out.

Note 2: BUSY is not considered asserted or deasserted until it is stable for a minimum of 75 to 130 ns.

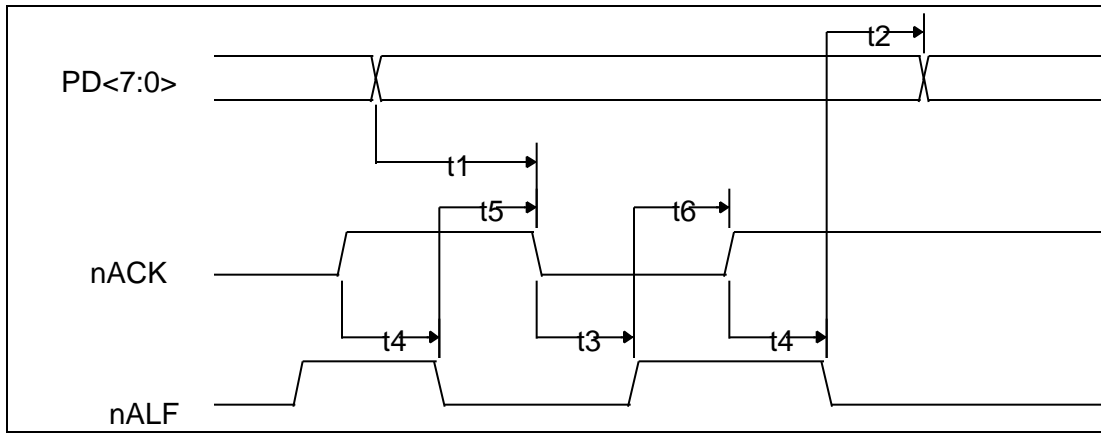


FIGURE 90 - ECP PARALLEL PORT REVERSE TIMING

NAME	DESCRIPTION	MIN	TYP	MAX	UNITS
t1	PDATA Valid to nACK Asserted	0			ns
t2	nALF Deasserted to PDATA Changed	0			ns
t3	nACK Asserted to nALF Deasserted (Notes 1,2)	80		200	ns
t4	nACK Deasserted to nALF Asserted (Note 2)	80		200	ns
t5	nALF Asserted to nACK Asserted	0			ns
t6	nALF Deasserted to nACK Deasserted	0			ns

Note 1: Maximum value only applies if there is room in the FIFO and terminal count has not been received. ECP can stall by keeping nALF low.

Note 2: nACK is not considered asserted or deasserted until it is stable for a minimum of 75 to 130 ns.

33.6 SERIAL IRQ TIMING

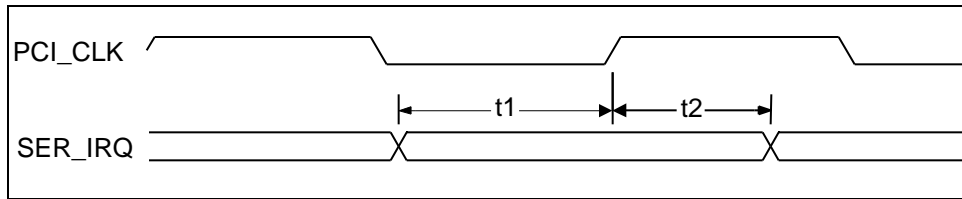


FIGURE 91 – SETUP AND HOLD TIME

NAME	DESCRIPTION	MIN	TYP	MAX	UNITS
t1	SER_IRQ SETUP TIME TO PCI_CLK RISING	7			nsec
t2	SER_IRQ Hold Time to PCI_CLK Rising	0			nsec

33.7 SERIAL PORT DATA TIMING

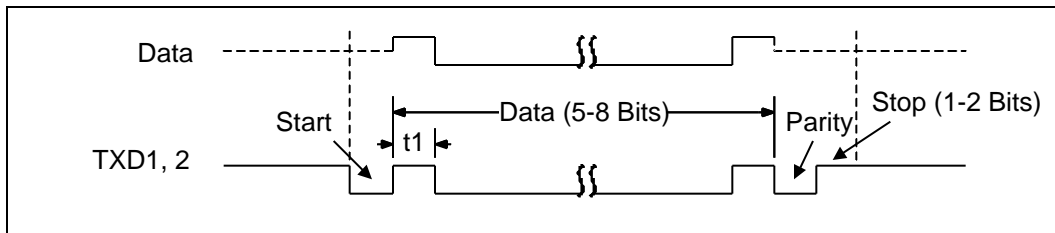


FIGURE 92 – SERIAL PORT DATA

NAME	DESCRIPTION	MIN	TYP	MAX	UNITS
t1	Serial Port Data Bit Time		t_{BR}^1		nsec

Note 1: t_{BR} is 1/Baud Rate. The Baud Rate is programmed through the divisor latch registers. Baud Rates have percentage errors indicated in the “Baud Rate” table in the “Serial Port” section.

33.8 ACCESS.BUS TIMING

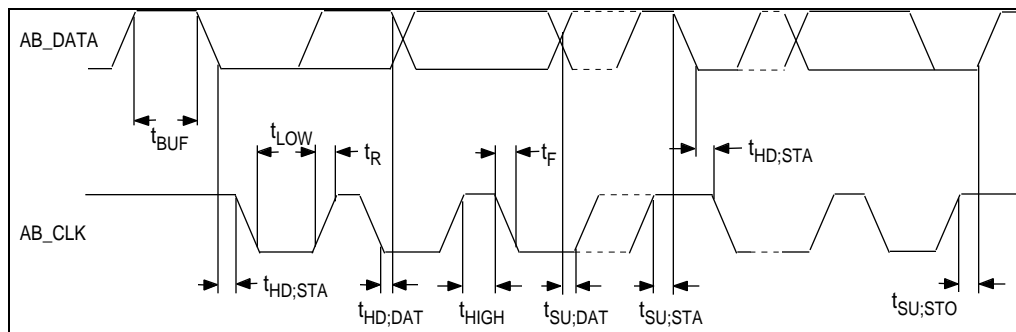


FIGURE 93 - ACCESS.BUS TIMING

SYMBOL	PARAMETER	MIN.	TYP.	MAX.	UNIT
f_{SCL}	SCL Clock Frequency			100	kHz
t_{BUF}	Bus Free Time	4.7			μs
$t_{SU;STA}$	START Condition Set-Up Time	4.7			μs
$t_{HD;STA}$	START Condition Hold Time	4.0			μs
t_{LOW}	SCL LOW Time	4.7			μs
t_{HIGH}	SCL HIGH Time	4.0			μs
t_R	SCL and SDA Rise Time			1.0	μs
t_F	SCL and SDA Fall Time			0.3	μs
$t_{SU;DAT}$	Data Set-Up Time	0.25			μs
$t_{HD;DAT}$	Data Hold Time	0			μs
$t_{SU;STO}$	STOP Condition Set-Up Time	4.0			μs

33.9 FAN AND FAN TACHOMETER TIMING

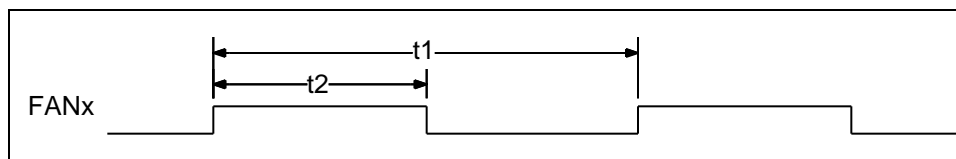


FIGURE 94 – FAN OUTPUT TIMING

NAME	DESCRIPTION	MIN	TYP	MAX	UNITS
t1	PWM PERIOD (NOTE 1)	0.021		25.8	msec
t2	PWM HIGH TIME (NOTE 2)	0.00033		25.4	msec

Note 1: The period is $1/f_{out}$, where f_{out} is programmed through the PWMx and PWM Control registers. The tolerance on f_{out} is +/- 5%.

Note 2: When Bit 0 of the PWMx registers is 0, then the duty cycle is programmed through Bits[6:1] of these registers. If Bits[6:1] = "000000" then the PWMx pin is low. The duty cycle is programmable through Bits[6:1] to be between 1.56% and 98.44%. When Bit 0 is 1, the PWMx pin is high.

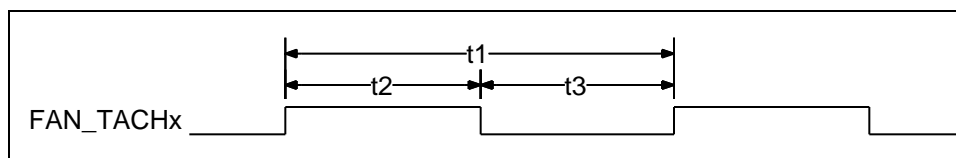


FIGURE 95 – FAN TACHOMETER INPUT TIMING

NAME	DESCRIPTION	MIN	TYP	MAX	UNITS
t1	PULSE TIME (1/2 REVOLUTION TIME=30/RPM)	$4T_{TACH}^1$			μ sec
t2	PULSE HIGH TIME	$3T_{TACH}^1$			μ sec
t3	PULSE LOW TIME	T_{TACH}			μ sec

Note 1: t_{TACH} is the clock used for the tachometer counter. It is 30.52^* prescaler, where the prescaler is programmed in the Fan Tachometer Timebase Prescaler register.

33.10 PS/2 TIMING

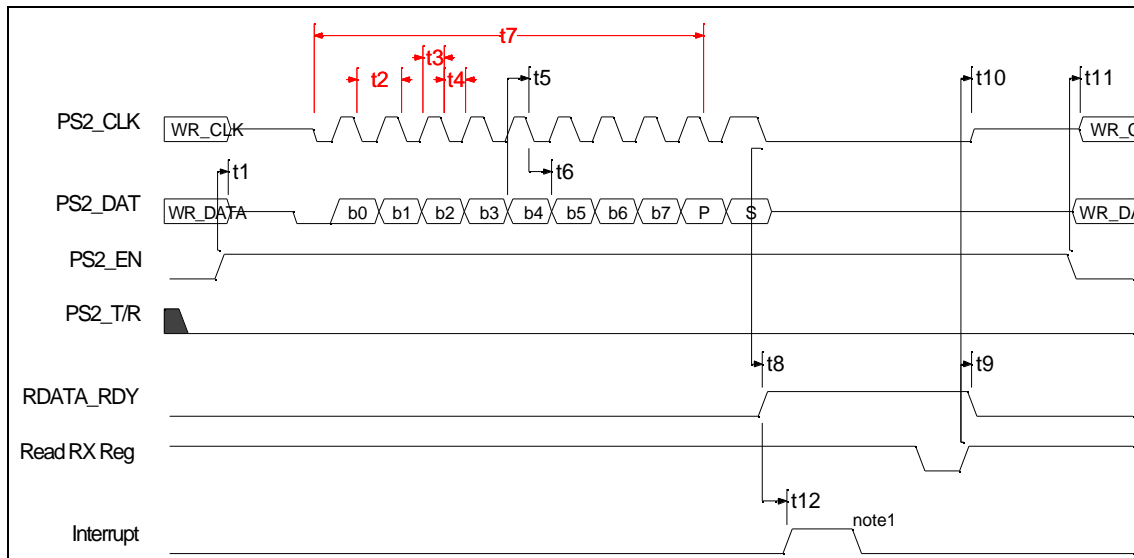


FIGURE 96 - PS/2 CHANNEL RECEIVE TIMING DIAGRAM

	PARAMETER	MIN	TYP	MAX	UNITS
t1	The PS2 Channel's CLK and DATA lines are floated following PS2_EN=1 and PS2_T/R=0.			100	ns
t2	Period of CLK	60		302	us
t3	Duration of CLK high (active)	30		151	us
t4	Duration of CLK low (inactive)	30		151	us
t5	DATA setup time to falling edge of CLK. LPC47N252 samples the data line on the falling CLK edge.	1			us
t6	DATA hold time from falling edge of CLK. LPC47N252 samples the data line on the falling CLK edge.	2			us
t7	Duration of Data Frame. Falling edge of Start bit CLK (1st clk) to falling edge of Parity bit CLK (10th clk).			2.002	ms
t8	Falling edge of 11th CLK to RDATA_RDY asserted.			1.6	us
t9	Trailing edge of the 8051's RD signal of the Receive Register to RDATA_RDY bit deasserted.			100	ns
t10	Trailing edge of the 8051's RD signal of the Receive Register to the CLK line released to high-Z.			100	ns
t11	The PS2 Channel's CLK and DATA lines are driven to the values stored in the WR_CLK and WR_DATA bits of the Control Register when PS2_EN is written to 0.			100	ns
t12	RDATA_RDY asserted to interrupt generated. Note1- Interrupt is cleared by reading the 8051 INT0 Source Register.			100	ns

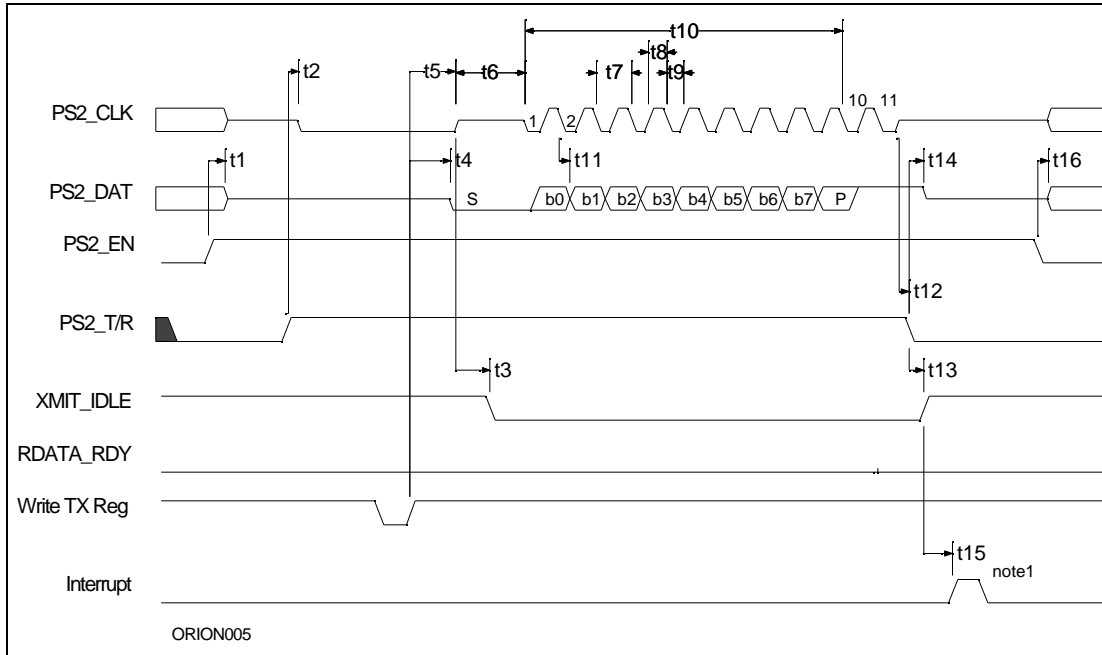


FIGURE 97 - PS/2 CHANNEL TRANSMIT TIMING DIAGRAM

PS/2 CHANNEL TRANSMISSION TIMING PARAMETERS

	PARAMETER	MIN	TYP	MAX	UNITS
t1	The PS2 Channel's CLK and DATA lines are floated following PS2_EN=1 and PS2_T/R=0.			100	ns
t2	PS2_T/R bit set to CLK driven low preparing the PS2 Channel for data transmission.			100	ns
t3	CLK line floated to XMIT_IDLE bit deasserted.			1.7	us
t4	Trailing edge of 8051 WR of Transmit Register to DATA line driven low.	45		90	ns
t5	Trailing edge of 8051 WR of Transmit Register to CLK line floated.	90		130	ns
t6	Initiation of Start of Transmit cycle by the PS2 channel controller to the auxilliary peripheral's responding by latching the Start bit and driving the CLK line low.	0.002		25.003	ms
t7	Period of CLK	60		302	us
t8	Duration of CLK high (active)	30		151	us
t9	Duration of CLK low (inactive)	30		151	us
t10	Duration of Data Frame. Falling edge of Start bit CLK (1st clk) to falling edge of Parity bit CLK (10th clk).			2.002	ms
t11	DATA output by LPC47N252 following the falling edge of CLK. The auxilliary peripheral device samples DATA following the rising edge of CLK.	3.5		7.1	us
t12	Rising edge following the 11th falling clock edge to PS_T/R bit driven low.	400		800	ns
t13	Trailing edge of PS_T/R to XMIT_IDLE bit asserted.			100	ns
t14	DATA released to high-Z following the PS2_T/R bit going low.			100	ns

	PARAMETER	MIN	TYP	MAX	UNITS
t15	XMIT_IDLE bit driven high to interrupt generated. Note1- Interrupt is cleared by reading the 8051 INTO Source Register.			100	ns
t16	The PS2 Channel's CLK and DATA lines are driven to the values stored in the WR_CLK and WR_DATA bits of the Control Register when PS2_EN is written to 0.			100	ns

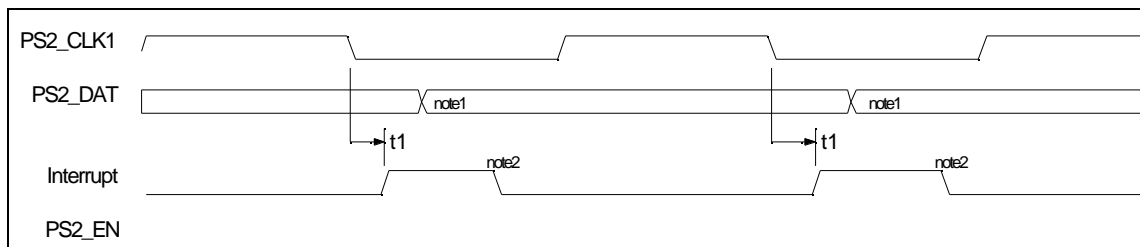


FIGURE 98 - PS/2 CHANNEL "BIT-BANG" TRANSMIT TIMING DIAGRAM

PS/2 CHANNEL "BIT-BANG" TRANSMIT TIMING PARAMETERS

	PARAMETER	MIN	TYP	MAX	UNITS
t1	Falling Edge of CLK to Interrupt generated.			1.1	us
note1	8051 firmware responds to interrupt and drives data line before rising edge of PS2_CLK line.				
note2	8051 firmware clears Interrupt by reading the 8051 INTO Source Register.				

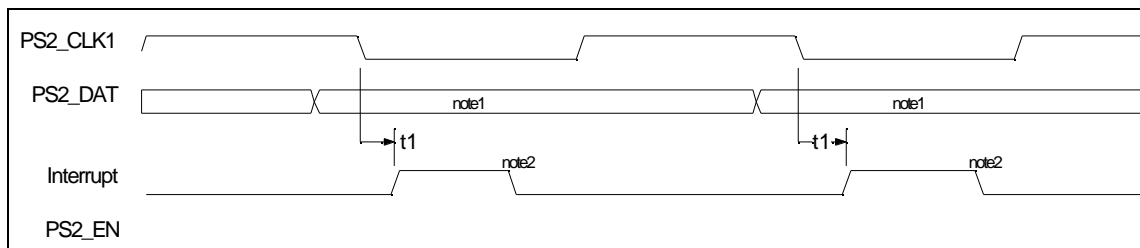


FIGURE 99 - PS/2 CHANNEL "BIT-BANG" RECEIVE TIMING DIAGRAM

PS/2 CHANNEL "BIT-BANG" RECEIVE TIMING PARAMETERS

	PARAMETER	MIN	TYP	MAX	UNITS
t1	Falling Edge of CLK to Interrupt generated.			100	ns
note1	8051 firmware responds to interrupt and latches data line before rising edge of PS2_CLK line.				
note2	8051 firmware clears Interrupt by reading the 8051 INTO Source Register.				

33.11 FLASH TIMING

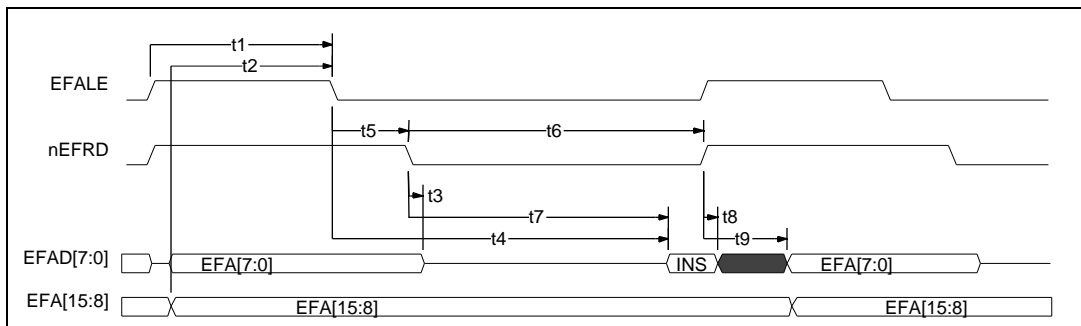


FIGURE 100 - EXTERNAL FLASH INTERFACE TIMING DIAGRAM

Table 327 - External Flash Interface Timing Values

	PARAMETER	MIN	TYP	MAX	UNITS
t1	EFALE Pulse Width	TBD			ns
t2	Address Valid to EFALE Low	TBD			ns
t3	nEFRD Low to Address Float			TBD	ns
t4	EFALE Low to Valid Instruction In			TBD	ns
t5	EFALE Low to nEFRD Low	TBD			ns
t6	nEFRD Pulse Width	TBD			ns
t7	nEFRD Low to Valid Instruction In	TBD			ns
t8	Valid Instruction Hold Time Following nEFRD Low-To-High Transition	TBD			ns
t9	Instruction Float Following nEFRD Low-To-High Transition			TBD	ns

34 PACKAGE OUTLINE DATA

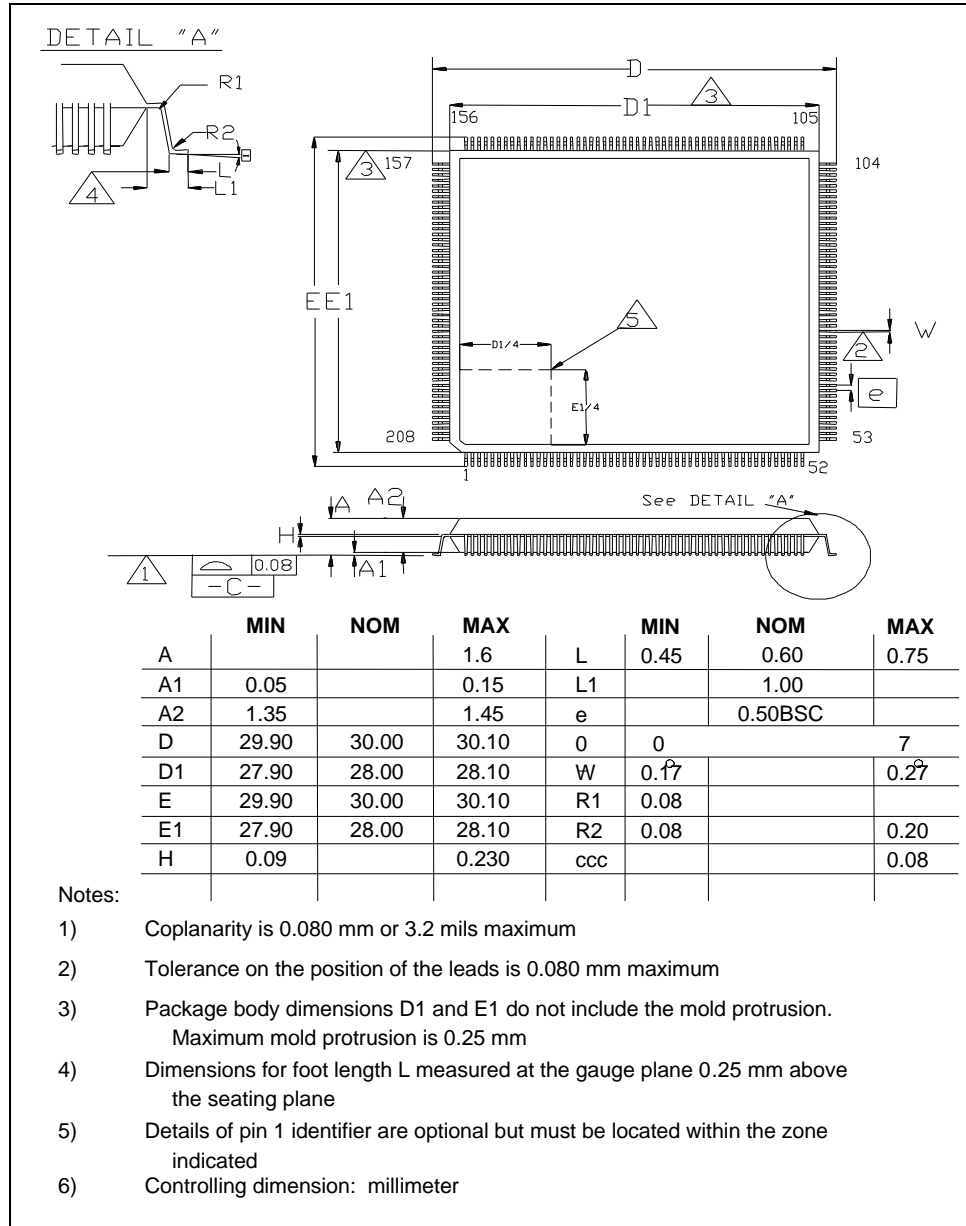


FIGURE 101 - 208 PIN TQFP PACKAGE OUTLINE

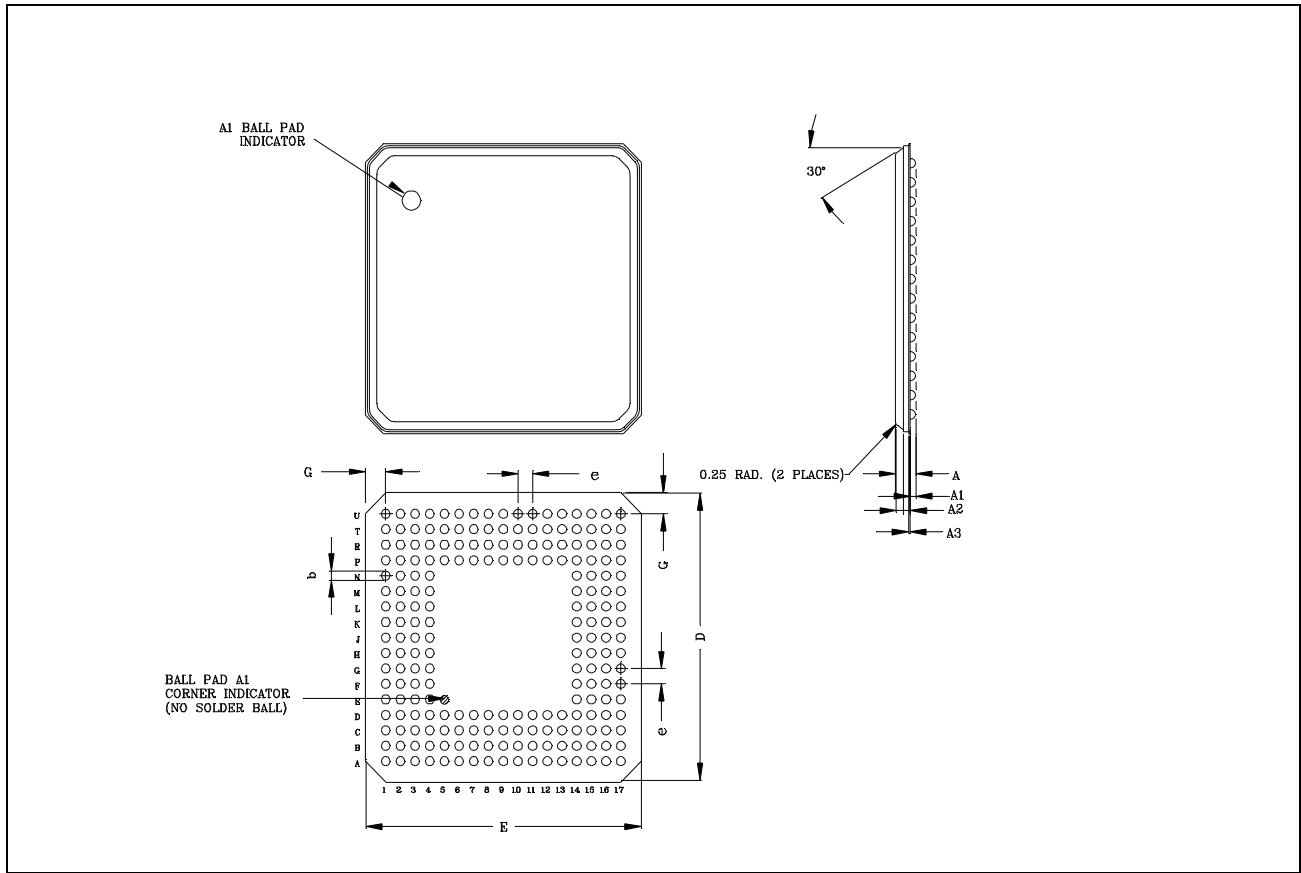


FIGURE 102 - 208 PIN FLEX BGA 15.0X15.0X1.10 (PRELIMINARY)

	MIN	NOMINAL	MAX	REMARK
A	1.0	1.1	1.2	Overall Package Height
A1	0.24	0.30	0.36	Standoff
A2	0.76	0.80	0.84	Package Body Thickness
A3	0.32	0.35	0.38	Substrate Thickness
D	14.80	15.00	15.20	X Board Length
D1	12.70	12.80	12.90	X Distance Between End Ball Centers
E	14.80	15.00	14.80	Y Board Length
E1	12.70	12.80	12.90	Y distance Between End Ball Centers
F	29°	30°	31°	Molded Lid Angle
G	1.10 Typical			X, Y Edge Distance
b	0.43	0.48	0.53	Ball Diameter
e	0.80 Typical			Pitch
ccc	0.12 Maximum			Coplanarity

Notes:

- ¹ Controlling Unit: millimeter
- ² Tolerance on the position of the ball is +/- 0.15 mm maximum.
- ³ A1 ball pad corner must be located in zone indicated.

APPENDIX A: HIGH-PERFORMANCE 8051 CYCLE TIMING & INSTRUCTION SET

The high-performance 8051 processor offers increased performance by executing instructions in a 4-clock cycle, as opposed to the standard 8051. The shortened bus timing improves the instruction execution rate for most instructions by a factor of three over the standard 8051 architectures.

Some instructions require a different number of instruction cycles on the high-performance 8051 than they do on the standard 8051. In the standard 8051, all instructions except for MUL and DIV take one or two instruction cycles to complete. In the high-performance 8051 architecture, instructions can take between one and five instruction cycles to complete. The average speed improvement for the entire instruction set is approximately 2.5X.

Legend For Instruction Set Table

SYMBOL	FUNCTION
A	Accumulator
Rn	Register R7-R0
direct	Internal register address
@Ri	Internal register pointed to by R0 or R1 (except MOVX)
rel	Two's complement offset byte
bit	Direct bit address
#data	8-bit constant
#data 16	16-bit constant
addr 16	16-bit destination address
addr 11	11-bit destination address

Table 328 - 8051 Instruction Set

INSTRUCTION	DESCRIPTION	BYTE COUNT	INSTRUCTION CYCLES	HEX CODE
ARITHMETIC				
ADD A, Rn	Add register to A	1	1	28-2F
ADD A, direct	Add direct byte to A	2	2	25
ADD A, @Ri	Add data memory to A	1	1	26-27
ADD A, #data	Add immediate to A	2	2	24
ADDC A, Rn	Add register to A with carry	1	1	38-3F
ADDC A, direct	Add direct byte to A with carry	2	2	35
ADDC A, @Ri	Add data memory to A with carry	1	1	36-37
ADDC A, #data	Add immediate to A with carry	2	2	34
SUBB A, Rn	Subtract register from A with borrow	1	1	98-9F
SUBB A, direct	Subtract direct byte from A with borrow	2	2	95
SUBB A, @Ri	Subtract data memory from A with borrow	1	1	96-97
SUBB A, #data	Subtract immediate from A with borrow	2	2	94
INC A	Increment A	1	1	04
INC Rn	Increment register	1	1	08-0F
INC direct	Increment direct byte	2	2	05
INC @Ri	Increment data memory	1	1	06-07
DEC A	Decrement A	1	1	14
DEC Rn	Decrement register	1	1	18-1F
DEC direct	Decrement direct byte	2	2	15

INSTRUCTION	DESCRIPTION	BYTE COUNT	INSTRUCTION CYCLES	HEX CODE
DEC @Ri	Decrement data memory	1	1	16-17
INC DPTR	Increment data pointer	1	3	A3
MUL AB	Multiply A by B	1	5	A4
DIV AB	Divide A by B	1	5	84
DA A	Decimal adjust A	1	1	D4
LOGICAL				
ANL A, Rn	AND register to A	1	1	58-5F
ANL A, direct	AND direct byte to A	2	2	55
ANL A, @Ri	AND data memory to A	1	1	56-57
ANL A, #data	AND immediate to A	2	2	54
ANL direct, A	AND A to direct byte	2	2	52
ANL direct, #data	AND immediate data to direct byte	3	3	53
ORL A, Rn	OR register to A	1	1	48-4F
ORL A, direct	OR direct byte to A	2	2	45
ORL A, @Ri	OR data memory to A	1	1	46-47
ORL A, #data	OR immediate to A	2	2	44
ORL direct, A	OR A to direct byte	2	2	42
ORL direct, #data	OR immediate data to direct byte	3	3	43
XORL A, Rn	Exclusive-OR register to A	1	1	68-6F
XORL A, direct	Exclusive-OR direct byte to A	2	2	65
XORL A, @Ri	Exclusive-OR data memory to A	1	1	66-67
XORL A, #data	Exclusive-OR immediate to A	2	2	64
XORL direct, A	Exclusive-OR A to direct byte	3	3	63
XORL direct, #data	Exclusive-OR immediate to direct byte	3	3	63
CLR A	Clear A	1	1	E4
CPL A	Complement A	1	1	F4
RL A	Rotate A left	1	1	23
RLC A	Rotate A left through carry	1	1	33
RR A	Rotate A right	1	1	03
RRC A	Rotate A right through carry	1	1	13
DATA TRANSFER				
MOV A, RN	Move register to A	1	1	E8-EF
MOV A, direct	Move direct byte to A	2	2	E5
MOV A, @Ri	Move data memory to A	1	1	E6-E7
MOV A, #data	Move immediate to A	2	2	74
MOV Rn, A	Move A to register	1	1	F8-FF
MOV Rn, direct	Move direct byte to register	2	2	A8-AF
MOV Rn, #data	Move immediate to register	2	2	78-7F
MOV direct, A	Move A to direct byte	2	2	F5
MOV direct, Rn	Move register to direct	2	2	88-8F

INSTRUCTION	DESCRIPTION	BYTE COUNT	INSTRUCTION CYCLES	HEX CODE
Rn	byte			
MOV direct, direct	Move direct byte to direct byte	3	3	85
MOV direct, @Ri	Move data memory to direct byte	2	2	86-87
MOV direct, #data	Move immediate to direct byte	3	3	75
MOV @Ri, A	Move A to data memory	1	1	F6-F7
MOV @Ri, direct	Move direct byte to data memory	2	2	A6-A7
MOV @Ri, #data	Move immediate to data memory	2	2	76-77
MOV DPTR, #data	Move immediate to data pointer	3	3	90
MOVC A, @A+DPTR	Move code byte relative DPTR to A	1	3	93
MOVC A, @A+PC	Move code byte relative PC to A	1	3	83
MOVX A, @Ri	Move external data (A8) to A	1	2-9	E2-E3
MOVX A, @DPTR	Move external data (A16) to A	1	2-9	E0
MOVX @Ri, A	Move A to external data (A8)	1	2-9	F2-F3
MOVX @DPTR, A	Move A to external data (A16)	1	2-9	F0
PUSH direct	Push direct byte onto stack	2	2	C0
POP direct	Pop direct byte from stack	2	2	D0
XCH A, Rn	Exchange A and register	1	1	C8-CF
XCH A, direct	Exchange A and direct byte	2	2	C5
XCH A, @Ri	Exchange A and data memory	1	1	C6-C7
XCHD A, @Ri	Exchange A and data memory nibble	1	1	D6-D7
BOOLEAN				
CLR C	Clear carry	1	1	C3
CLR bit	Clear direct bit	2	2	C2
SETB C	Set Carry	1	1	D3
SETB bit	Set direct bit	2	2	D2
CPL C	Complement carry	1	1	B3
CPL bit	Complement direct bit	2	2	B2
ANL C, bit	AND direct bit to carry	2	2	82
ANL C, /bit	AND direct bit inverse to carry	2	2	B0
ORL C, bit	OR direct bit to carry	2	2	72
ORL C, /bit	OR direct bit inverse to carry	2	2	A0
MOV C, bit	Move direct bit to carry	2	2	A2
MOV bit, C	Move carry to direct bit	2	2	92
BRANCHING				
ACALL addr	Absolute call to	2	3	11-F1

INSTRUCTION	DESCRIPTION	BYTE COUNT	INSTRUCTION CYCLES	HEX CODE
11	subroutine			
LCALL addr 16	Long call to subroutine	3	4	12
RET	Return from subroutine	1	4	22
RETI	Return from interrupt	1	4	32
AJMP addr 11	Absolute jump unconditional	2	3	01-E1
LJMP addr 16	Long jump unconditional	3	4	02
SJMP rel	Short jump (relative address)	2	3	80
JC rel	Jump on carry = 1	2	3	40
JNC rel	Jump on carry = 0	2	3	50
JB bit, rel	Jump on direct bit = 1	3	4	20
JNB bit, rel	Jump on direct bit = 0	3	4	30
JMP @A+DPTR	Jump indirect relative DPTR	1	3	73
JZ rel	Jump on accumulator = 0	2	3	60
JNZ rel	Jump on accumulator /= 0	2	3	70
CJNE A, direct, rel	Compare A, direct JNE relative	3	4	B5
CJNE A, #d, rel	Compare A, immediate JNE relative	3	4	B4
CJNE Rn, #d, rel	Compare reg, immediate JNE relative	3	4	B8-BF
CJNE @Ri, #d, rel	Compare Ind, immediate JNE relative	3	4	B6-B7
DJNZ Rn, rel	Decrement register, JNZ relative	2	3	D8-DF
DJNZ direct, rel	Decrement direct byte, JNZ relative	3	4	D5
MISCELLANEOUS				
NOP	No operation	1	1	00

APPENDIX B HIGH PERFORMANCE 8051 EXTENDED INTERRUPT UNIT

APPENDIX B INTERRUPTS

The EXIF, EICON, EIE, and EIP registers provide flags, enable control, and priority control for the extended interrupt unit in the LPC47N252 high-performance 8051.

INTERRUPT PROCESSING

When an enabled interrupt occurs, the CPU vectors to the address of the interrupt service routine (ISR) associated with that interrupt (See Table 108 – 8051 Interrupts). The CPU executes the ISR to completion unless another interrupt of higher priority occurs. Each ISR ends with a RETI (return from interrupt) instruction. After executing the RETI, the CPU returns to the next instruction that would have been executed if the interrupt had not occurred.

An ISR can only be interrupted by a higher priority interrupt. That is, an ISR for a low-level interrupt can only be interrupted by high-level interrupt. An ISR for a high-level interrupt can only be interrupted by the power-fail interrupt (extended interrupt unit only).

The 8051 always completes the instruction in progress before servicing an interrupt. If the instruction in progress is RETI, or a write access to any of the IP, IE, EIP, or EIE SFRs, the 8051 completes one additional instruction before servicing the interrupt.

INTERRUPT MASKING

The EA bit in the IE SFR (IE.7) is a global enable for all interrupts except the power-fail interrupt. When EA = 1, each interrupt is enabled/masked by its individual enable bit. When EA = 0, all interrupts are masked. The only exception is the power-fail interrupt, which is not affected by the EA bit. When EPFI = 1, the power-fail interrupt is enabled, regardless of the state of the EA bit. TABLE 92 on page 169 provides a summary of interrupt sources, flags, enables, and priorities.

INTERRUPT PRIORITIES

There are two stages of interrupt priority assignment, interrupt level and natural priority. The interrupt level (highest, high, or low) takes precedence over natural priority. The power-fail interrupt, if enabled, always has highest priority and is the only interrupt that can have highest priority. All other interrupts can be assigned either high or low priority. In addition to an assigned priority level (high or low), each interrupt also has a natural priority, as listed in TABLE 92 - on page 169. Simultaneous interrupts with the same priority level (for example, both high) are resolved according to their natural priority. For example, if int0_n and int2 are both programmed as high priority, int0_n takes precedence. Once an interrupt is being serviced, only an interrupt of higher priority level can interrupt the service routine of the interrupt currently being serviced.

INTERRUPT SAMPLING

The internal timers and serial ports generate interrupts by setting their respective SFR interrupt flag bits. External interrupts are sampled once per instruction cycle.

int0_n and int1_n are both active low and can be programmed to be either edge-sensitive or level-sensitive, through the IT0 and IT1 bits in the TCON SFR. For example, when IT0 = 0, int0_n is level-sensitive and the 8051 sets the IE0 flag when the int0_n pin is sampled low. When IT0 = 1, int0_n is edge-sensitive and 8051 sets the IE0 flag when the int0_n pin is sampled high then low on consecutive samples.

The remaining four external interrupts are edge-sensitive only. int2 and int4 are active high, int3_n and int5_n are active low. The power-fail (pfi) interrupt is edge-sensitive, active high, and sampled once per instruction cycle. To ensure that edge-sensitive interrupts are detected, the corresponding ports should be held high for 4 clk cycles and then low for 4 clk cycles. Level-sensitive interrupts are not latched and must remain active until serviced.

INTERRUPT LATENCY

Interrupt response time depends on the current state of the 8051. The fastest response time is 5 instruction cycles: 1 to detect the interrupt, and 4 to perform the LCALL to the ISR. The maximum latency (13 instruction cycles) occurs when the 8051 is currently executing a RETI instruction followed by a MUL or DIV instruction. The 13 instruction cycles in this case are: 1 to detect the interrupt, 3 to complete the RETI, 5 to execute the DIV or MUL, and 4 to execute the LCALL to the ISR. For the maximum latency case, the response time is $13 \times 4 = 52$ clk cycles.

DUAL DATA POINTERS

The high-performance 8051 in the LPC47N252 employs dual data pointers to accelerate data memory block moves. The standard 8051 data pointer (DPTR) is a 16-bit value used to address external RAM or peripherals. The LPC47N252 maintains the standard data pointer as DPTR0 at SFR locations 82h and 83h. It is not necessary to modify code to use DPTR0.

The LPC47N252 adds a second data pointer (DPTR1) at SFR locations 84h and 85h. The SEL bit in the DPTR Select Register, DPS (SFR 86h), selects the active pointer (see sections DPL1, DPH1 and DPS below). All DPTR-related instructions use the currently selected data pointer. To switch the active pointer, toggle the SEL bit. The fastest way to do so is to use the increment instruction (INC DPS). This requires only one instruction to switch from a source address to a destination address, saving application code from having to save source and destination addresses when doing a block move.

TIMER 2

OVERVIEW

The high-performance 8051 in the LPC47N252 includes a third timer/counter (Timer 2). Timer 2 runs only in 16-bit mode and offers several capabilities not available with Timers 0 and 1. The modes available with Timer 2 are 16-bit auto-reload timer/counter and baud rate generator. The SFRs associated with Timer 2 are:

T2CON (SFR C8h)

RCAP2L (SFR CAh) – Used as the 16-bit LSB reload value when Timer 2 is configured for auto-reload mode.

RCAP2H (SFR CBh) – Used as the 16-bit MSB reload value when Timer 2 is configured for auto-reload mode.

TL2 (SFR CCh) – Lower 8 bits **Table 332**-bit count.

TH2 (SFR CDh) – Upper 8 bits of 16-bit count.

Table 329 summarizes how the T2CON SFR bits (Table 333) determine the Timer 2 operating mode.

Table 329 - Timer 2 Mode Control Summary

RCLK	TCLK	TR2	MODE
0	0	1	16-bit Timer/Counter w/Auto-reload
1	X	1	Baud Rate Generator
X	1	1	Baud Rate Generator
X	X	0	Off

16-BIT TIMER/COUNTER MODE WITH AUTO-RELOAD

FIGURE 103 illustrates how Timer 2 operates in timer/counter mode with auto-reload. The 16-bit timer counts CLK cycles (divided by 4 or 12). The TR2 bit enables the counter. When the count increments from FFFFh, the overflow occurs. The overflow causes the TF2 flag is set, and t2_out goes high for one CLK cycle. The overflow also causes the preloaded start value in the RCAP2L and RCAP2H registers to be reloaded into the TL2 and TH2 registers.

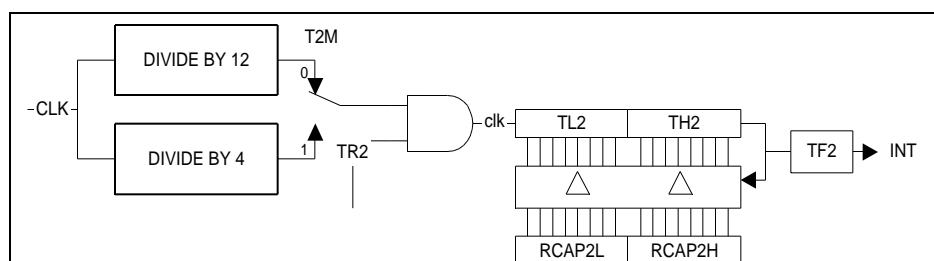


FIGURE 103 - TIMER 2 TIMER/COUNTER WITH AUTO-RELOAD

BAUD RATE GENERATOR MODE

Setting either RCLK or TCLK to 1 configures Timer 2 to generate baud rates for Serial Port 0 in serial mode 1 or 3. In baud rate generator mode, Timer 2 functions in auto-reload mode. However, instead of setting the TF2 flag, the counter overflow is used to generate a shift clock for the serial port function. As in normal auto-reload mode, the overflow also causes the preloaded start value in the RCAP2L and RCAP2H registers to be reloaded into the TL2 and TH2 registers.

When either TCLK = 1 or RCLK = 1, Timer 2 is forced into auto-reload operation. The counter time base in baud rate generator mode is $clk/2$.

SPECIAL FUNCTION REGISTERS

The following SFRs are not part of the standard 8051 architecture.

DPL1

The DPL1 register (Table 330) is the LSB of DPTR1

Table 330 - DPL1 Register - SFR 84H

SFR ADDRESS	84h
POWER	VCC1
DEFAULT	0x00

	D7	D6	D5	D4	D3	D2	D1	D0
TYPE	R/W	R/W	R/W	R/W	R/W	R/W	R/W	R/W
BIT NAME	A7	A6	A5	A4	A3	A2	A1	A0

DPH1

The DPH1 register (Table 331) is the MSB of DPTR1

Table 331 - DPH1 Register - SFR 85H

SFR ADDRESS	85h
POWER	VCC1
DEFAULT	0x00

	D7	D6	D5	D4	D3	D2	D1	D0
TYPE	R/W	R/W	R/W	R/W	R/W	R/W	R/W	R/W
BIT NAME	A15	A14	A13	A12	A11	A10	A9	A8

DPS

The DPS register (Table 332) is used to select the active DPTR

Table 332 - DPS Register - SFR 86h

SFR ADDRESS	86h
POWER	VCC1
DEFAULT	0x00

	D7	D6	D5	D4	D3	D2	D1	D0
TYPE	R	R	R	R	R	R	R	R/W
BIT NAME	RESERVED							SEL ¹

Note¹: When SEL = '0', instructions that use the DPTR will use DPL0 and DPH0. When SEL = '1', instructions that use the DPTR will use DPL1 and DPH1.

CKCON

The default timer clock scheme for the DW8051 timers is 12 clk cycles per increment, the same as in the standard 8051. However, in the DW8051, the instruction cycle is 4 clk cycles. Using the default rate (12 clocks per timer increment) allows existing application code with real-time dependencies, such as baud rate, to operate properly. However, applications that require fast timing can set the timers to increment every 4 clk cycles by setting bits in the Clock Control register (CKCON) at SFR location 8Eh (Table 333 and Table 334)

The CKCON bits that control the timer clock rates are:

<u>CKCON BIT</u>	<u>COUNTER/TIMER</u>
5	Timer 2
4	Timer 1
3	Timer 0

When a CKCON register bit is set to 1, the associated counter increments at 4-clk intervals. When a CKCON bit is cleared, the associated counter increments at 12-clk intervals. The timer controls are independent of each other. The default setting for all three timers is 0 (12-clk intervals). These bits have no effect in counter mode.

Table 333 - CKCON Register - SFR 8EH

SFR ADDRESS	8EH
POWER	VCC1
DEFAULT	0x01

	D7	D6	D5	D4	D3	D2	D1	D0
TYPE	R	R	R/W	R/W	R/W	R/W	R/W	R/W
BIT NAME	RESERVED		T2M	T1M	T0M	MD2	MD1	MD0

Table 334 - CKCON Register Bit Descriptions

BIT	FUNCTION
CKCON.7-6	Reserved
CKCON.5	T2M. Timer 2 clock select. When T2M = 0, Timer 2 uses clk/12 (for compatibility with 80C32); when T2M = 1, Timer 2 uses clk/4. This bit has no effect when Timer 2 is configured for baud rate generation.
CKCON.4	T1M. Timer 1 clock select. When T1M = 0, Timer 1 uses clk/12 (for compatibility with 80C32); when T1M = 1, Timer 1 uses clk/4.
CKCON.3	T0M. Timer 0 clock select. When T0M = 0, Timer 0 uses clk/12 (for compatibility with 80C32); when T0M = 1, Timer 0 uses clk/4.
CKCON.2-0	MD2, MD1, MD0 -- Control the number of cycles to be used for external MOVX instructions.

MPAGE

The MPAGE special function register (Table 335) replaces the function of the Port 2 latch in the LPC47N252. During MOVX A, @Ri and MOVX @Ri, A instructions, the 8051 places the contents of the MPAGE register on the upper eight address bits. This provides the paging function that is normally provided by the Port 2 latch.

Table 335 - Mpage Register – SFR 92H

SFR ADDRESS	92H
POWER	VCC1
DEFAULT	0x00

	D7	D6	D5	D4	D3	D2	D1	D0
TYPE	R/W	R/W	R/W	R/W	R/W	R/W	R/W	R/W
BIT NAME	A15	A14	A13	A12	A11	A10	A9	A8

T2CON

The T2CON register Table 336 and Table 337 is used to configure Timer 2

Table 336 – T2CON Register - SFR C8H

SFR ADDRESS	C8h
POWER	VCC1
DEFAULT	0x00

	D7	D6	D5	D4	D3	D2	D1	D0
TYPE	R/W	R/W	R/W	R/W	R/W	R/W	R/W	R/W
BIT NAME	TF2	RESERVED	RCLK	TCLK	RESERVED	TR2	RESERVED	

Table 337 – T2CON Register Bit Descriptions

BIT	FUNCTION
T2CON.7	TF2 Timer 2 overflow flag. Hardware will set TF2 when the Timer 2 overflows from FFFFh. TF2 must be cleared to 0 by the software. TF2 will only be set to a 1 if RCLK and TCLK are both cleared to 0. Writing a 1 to TF2 forces a Timer 2 interrupt if enabled.
T2CON.6	Reserved. This bit should be written as '0'.
T2CON.5	RCLK Receive clock flag. Determines whether Timer 1 or Timer 2 is used for Serial Port 0 timing of received data in serial mode 1 or 3. RCLK =1 selects Timer 2 overflow as the receive clock. RCLK =0 selects Timer 1 overflow as the receive clock.
T2CON.4	TCLK Transmit clock flag. Determines whether Timer 1 or Timer 2 is used for Serial Port 0 timing of transmit data in serial mode 1 or 3. RCLK =1 selects Timer 2 overflow as the transmit clock. RCLK =0 selects Timer 1 overflow as the transmit clock.
T2CON.3	Reserved. This bit should be written as '0'.
T2CON.2	TR2. Timer 2 run control flag. TR2 = 1 starts Timer 2. TR2 = 0 stops Timer 2.
T2CON.1-0	Reserved. This bit should be written as '0'.

RCAP2L

The RCAP2L register

Table 338 is the 16-bit LSB reload value (RV[7:0]) when Timer 2 is configured for auto-reload mode.

Table 338 - RCAP2I Register – SFR CAH

SFR ADDRESS	CAh
POWER	VCC1
DEFAULT	0x00

	D7	D6	D5	D4	D3	D2	D1	D0
TYPE	R/W	R/W	R/W	R/W	R/W	R/W	R/W	R/W
BIT NAME	RV7	RV6	RV5	RV4	RV3	RV2	RV1	RV0

RCAP2H

The RCAP2H register

Table 339 is the 16-bit MSB reload value (RV[15:8]) when Timer 2 is configured for auto-reload mode.

Table 339 - RCAP2H Register - SFR CBH

SFR ADDRESS	CBh
POWER	VCC1
DEFAULT	0x00

	D7	D6	D5	D4	D3	D2	D1	D0
TYPE	R/W	R/W	R/W	R/W	R/W	R/W	R/W	R/W
BIT NAME	RV15	RV14	RV13	RV12	RV11	RV10	RV9	RV8

TL2

The TL2 register (Table 340) is the 16-bit LSB Timer 2 count value (CV[7:0]).

Table 340 - T12 Register - SFR CCh

SFR ADDRESS	CCh
POWER	VCC1
DEFAULT	0x00

	D7	D6	D5	D4	D3	D2	D1	D0
TYPE	R/W	R/W	R/W	R/W	R/W	R/W	R/W	R/W
BIT NAME	CV7	CV6	CV5	CV4	CV3	CV2	CV1	CV0

TH2

The TH2 register (Table 341) is the 16-bit MSB Timer 2 count value (CV[15:8]).

Table 341 - TH2 Register - SFR CDH

SFR ADDRESS	CDh
POWER	VCC1
DEFAULT	0x00

	D7	D6	D5	D4	D3	D2	D1	D0
TYPE	R/W	R/W	R/W	R/W	R/W	R/W	R/W	R/W
BIT NAME	CV15	CV14	CV13	CV12	CV11	CV10	CV9	CV8

EXIF

The EXIF register

Table 342 and Table 343 contains the external interrupt flags for the extended interrupt unit.

Table 342 - EXIF Register - SFR 91H

SFR ADDRESS	91h
POWER	VCC1
DEFAULT	0x08

	D7	D6	D5	D4	D3	D2	D1	D0
TYPE	R/W	R/W	R/W	R/W	R	R	R	R
BIT NAME	IE5	IE4	IE3	IE2	RESERVED			

Table 343 - EXIF Register Bit Descriptions

BIT	FUNCTION
EXIF.7	IE5 External Interrupt 5 flag. IE5 = 1 indicates a falling edge was detected at the int5_n pin. IE5 must be cleared by software. Setting IE5 in software generates an interrupt, if enabled.
EXIF.6	IE4 External Interrupt 4 flag. IE4 = 1 indicates a rising edge was detected at the int4 pin. IE4 must be cleared by software. Setting IE4 in software generates an interrupt, if enabled.
EXIF.5	IE3 External Interrupt 3 flag. IE3 = 1 indicates a falling edge was detected at the int3_n pin. IE3 must be cleared by software. Setting IE3 in software generates an interrupt, if enabled.
EXIF.4	IE2 External Interrupt 2 flag. IE2 = 1 indicates a rising edge was detected at the int2 pin. IE2 must be cleared by software. Setting IE2 in software generates an interrupt, if enabled.
EXIF.3	Reserved. Read as '1'.
EXIF.2-0	Reserved. Read as '0'.

EICON

The EICON register

Table 344 and Table 345 contains pfi and serial port 1 controls for the extended interrupt unit.

Table 344 - EICON Register - SFR D8H

SFR ADDRESS	D8h
POWER	VCC1
DEFAULT	0x40

	D7	D6	D5	D4	D3	D2	D1	D0
TYPE	R/W	R/W	R/W	R/W	R	R	R	R
BIT NAME	SMOD1	RESERVED	EPFI	PFI	RESERVED			

Table 345 - Eicon Register Bit Descriptions

BIT	FUNCTION
EICON.7	SMOD1 Serial Port 1 baud rate doubler enable. When SMOD1 = 1, the baud rate for Serial Port 1 is doubled.
EICON.6	Reserved. Read as '1'.
EICON.5	EPFI Enable power-fail interrupt. EPFI = 0 disables power-fail interrupt (pfi). EPFI = 1 enables interrupts generated by the pfi pin.
EICON.4	PFI Power-fail interrupt flag. PFI = 1 indicates a power-fail interrupt was detected at the pfi pin. PFI must be cleared by software before exiting the interrupt service routine. Otherwise, the interrupt occurs again. Setting PFI in software generates a power-fail interrupt, if enabled.
EICON.3-0	Reserved. Read as '0'.

EIE

The EIE register

Table 346 and Table 347 contains the external interrupt enables for the extended interrupt unit

Table 346 - EIE Register - SFR E8H

SFR ADDRESS	E8h
POWER	VCC1
DEFAULT	0xE0

	D7	D6	D5	D4	D3	D2	D1	D0
TYPE	R	R	R	R	R/W	R/W	R/W	R/W
BIT NAME	RESERVED				EX5	EX4	EX3	EX2

Table 347 - EIE Register Bit Descriptions

BIT	FUNCTION
EIE.7-5	Reserved. Read as '1'.
EIE.4	Reserved. Read and Write as '0'.
EIE.3	EX5 Enable external interrupt 5. EX5 = 0 disables external interrupt 5 (int5_n). EX5 = 1 enables interrupts generated by the int5_n pin.
EIE.2	EX4 Enable external interrupt 4. EX4 = 0 disables external interrupt 4 (int4). EX4 = 1 enables interrupts generated by the int4 pin.
EIE.1	EX3 Enable external interrupt 3. EX3 = 0 disables external interrupt 3 (int3_n). EX3 = 1 enables interrupts generated by the int3_n pin.
EIE.0	EX2 Enable external interrupt 2. EX2 = 0 disables external interrupt 2 (int2). EX2 = 1 enables interrupts generated by the int2 pin.

EIP

The EIP register

Table 348 and Table 349 contains the external interrupt priority controls for the extended interrupt unit.

Table 348 - EIP Register - SFR F8H

SFR ADDRESS	F8h
POWER	VCC1
DEFAULT	0xE0

	D7	D6	D5	D4	D3	D2	D1	D0
TYPE	R	R	R	R	R/W	R/W	R/W	R/W
BIT NAME	RESERVED				PX5	PX4	PX3	PX2

Table 349 - EIP Register Bit Descriptions

BIT	FUNCTION
EIP.7-5	Reserved. Read as '1'.
EIP.4	Reserved. Read and Write as '0'.
EIP.3	PX5 External interrupt 5 priority control. PX5 = 0 sets external interrupt 5 (int5_n) to low priority. PX5 = 1 sets external interrupt 5 to high priority.
EIP.2	PX4 External interrupt 4 priority control. PX4 = 0 sets external interrupt 4 (int4) to low priority. PX2 = 1 sets external interrupt 4 to high priority.
EIP.1	PX3 External interrupt 3 priority control. PX3 = 0 sets external interrupt 3 (int3_n) to low priority. PX3 = 1 sets external interrupt 3 to high priority.
EIP.0	PX2 External interrupt 2 priority control. PX2 = 0 sets external interrupt 2 (int2) to low priority. PX2 = 1 sets external interrupt 2 to high priority.